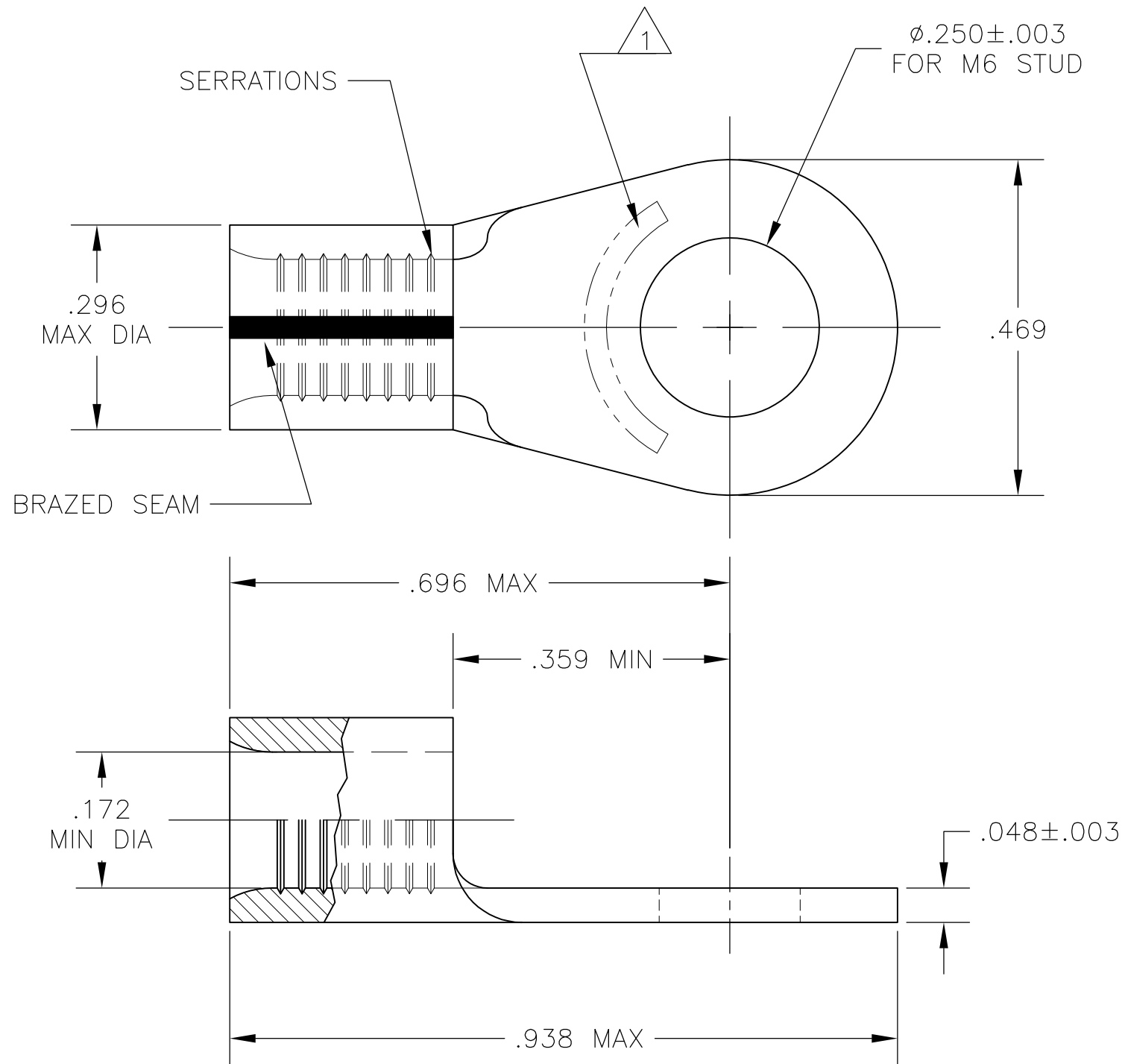


THIS DRAWING IS UNPUBLISHED. RELEASED FOR PUBLICATION
 © COPYRIGHT - By - ALL RIGHTS RESERVED.

LOC	DIST	REVISIONS			
P	LTR	DESCRIPTION	DATE	DWN	APVD
G	14	A4	REVISED PER ECO-14-017801	26NOV2014	NK DR



- 1 STAMP AMP 8, APPROX AS SHOWN.
- 2 MAX RECOMMENDED OPERATING TEMP. IS 170°C MAX
- 3 VOLTAGE RATING IS NOT APPLICABLE.
- 4 WIRE CROSS SECTIONAL AREA RANGE: 13,100-20,800 CMA / 6.64-10.5mm²
- 5 COPPER PER ASTM B-152, ANNEALED.
- 6 .000100 MIN TIN PLATE PER ASTM B-545.

6	130550
FINISH	PART NO

THIS DRAWING IS A CONTROLLED DOCUMENT.		DWN	JR RUTH	13FEB06	STE TE Connectivity											
DIMENSIONS: INCHES		CHK	T MICHELUTTI	13FEB06												
TOLERANCES UNLESS OTHERWISE SPECIFIED:		APVD	T MICHELUTTI	13FEB06												
<table border="0"> <tr><td>0 PLC</td><td>± -</td></tr> <tr><td>1 PLC</td><td>± -</td></tr> <tr><td>2 PLC</td><td>± -</td></tr> <tr><td>3 PLC</td><td>± .008</td></tr> <tr><td>4 PLC</td><td>± -</td></tr> <tr><td>ANGLES</td><td>± 5°</td></tr> </table>		0 PLC	± -	1 PLC		± -	2 PLC	± -	3 PLC	± .008	4 PLC	± -	ANGLES	± 5°	NAME	
0 PLC	± -															
1 PLC	± -															
2 PLC	± -															
3 PLC	± .008															
4 PLC	± -															
ANGLES	± 5°															
MATERIAL	5	FINISH	SEE TABLE	PRODUCT SPEC	SIZE	CAGE CODE	DRAWING NO	RESTRICTED TO								
				APPLICATION SPEC	A3	00779	C-130550	-								
				WEIGHT	CUSTOMER DRAWING		SCALE	SHEET	REV							
							5:1	1 OF 1	A4							