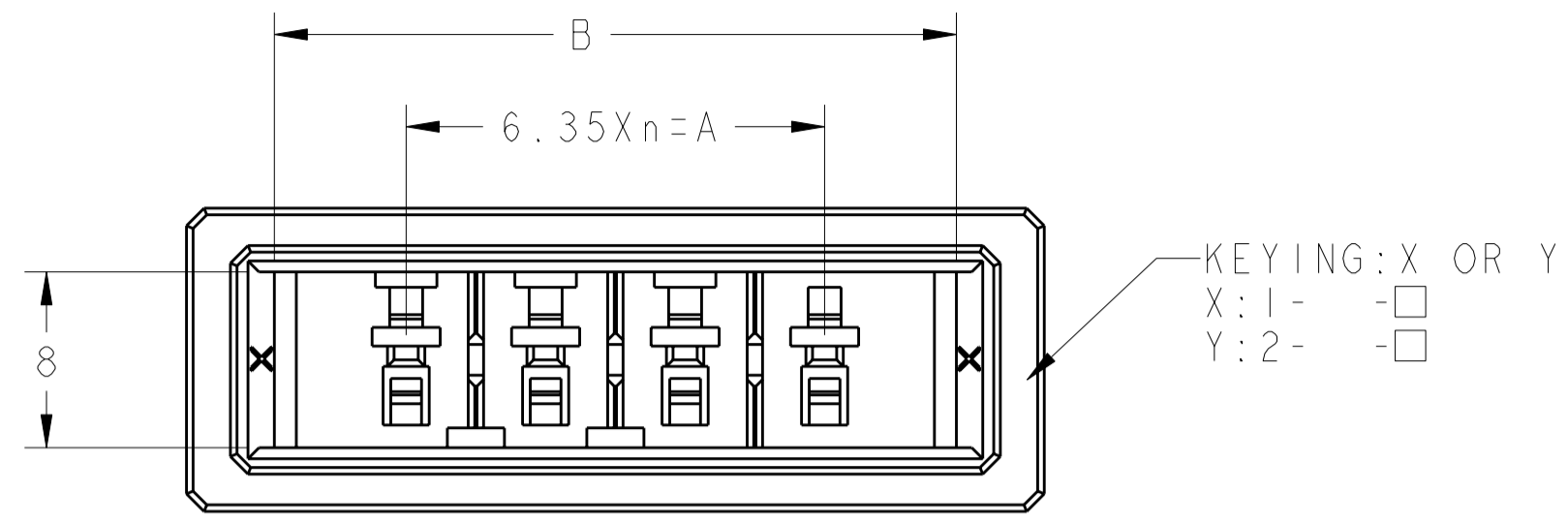
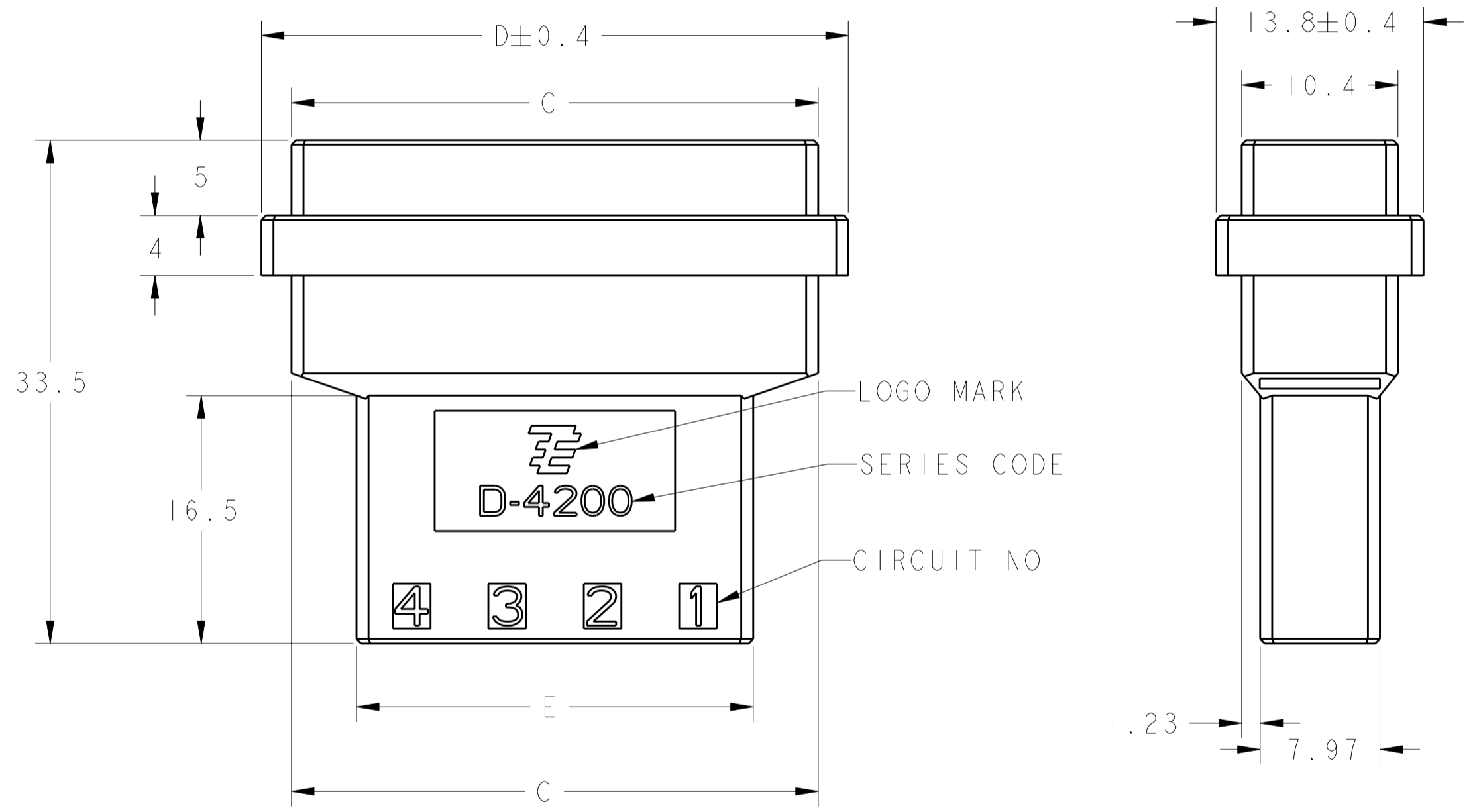


THIS DRAWING IS UNPUBLISHED. RELEASED FOR PUBLICATION 2004
 © COPYRIGHT 2004 BY TYCO ELECTRONICS CORPORATION. ALL INTERNATIONAL RIGHTS RESERVED.

LOC	DIST	REVISIONS			
P	LTR	DESCRIPTION	DATE	DWN	APVD
	B	REVISED PER ECR-10-017569	25AUG2010	HMR	T.M



KEY LOCATION VIEW



1. MATERIAL: GLASS FILED THERMO PLASTIC POLYESTER(94V-0), COLOR: BLACK
 2. THE SHAPE, SIZE AND POSITION OF THE CHARACTER SHOW THE OUTLINE. THEY DON'T SHOW DETAILS.

1. 材料: ガラス入り熱可塑性ポリエステル樹脂(94V-0), 色: 黒
 2. 文字の形状、大きさ、および位置については、大略を示すものであり、詳細を示すものではありません。

AS SHOWN : 1-1747414-4 (4POS: X-KEY)

POS	n	KEY LOCATION	A	B	C	D	E	KEY	PART NUMBER
4	3		19.05	31.05	35.05	39.05	26.40	Y	2-1747414-4
4	3		19.05	31.05	35.05	39.05	26.40	X	1-1747414-4
3	2		12.70	24.70	28.70	32.70	20.05	Y	2-1747414-3
3	2		12.70	24.70	28.70	32.70	20.05	X	1-1747414-3
2	1		6.35	18.35	22.35	26.35	13.70	Y	2-1747414-2
2	1		6.35	18.35	22.35	26.35	13.70	X	1-1747414-2

THIS DRAWING IS A CONTROLLED DOCUMENT FOR TYCO ELECTRONICS CORPORATION. IT IS SUBJECT TO CHANGE AND THE CONTROLLING ENGINEERING ORGANIZATION SHOULD BE CONTACTED FOR THE LATEST REVISION.

DIMENSIONS: 単位: 概 mm

TOLERANCES UNLESS OTHERWISE SPECIFIED:
 一般公差 ±0.3, ±3°
 0-PLC ±
 1-PLC ±
 2-PLC ±
 3-PLC ±
 4-PLC ±
 ANGLES ±
 FINISH 仕上

DWN: T. KUDO 26AUG2004
 CHK: D. MITSUGI 26AUG2004
 APVD: D. MITSUGI 26AUG2004

PRODUCT SPEC: 108-78182
 APPLICATION SPEC: 114-5369

WEIGHT: CUSTOMER DRAWING

Tyco Electronics Corporation
 Kawasaki, Japan

NAME: DYNAMIC D4200S 6.35mm PITCH TAB HSG, FREE HANGING TYPE 2-4POS

SIZE: A2 CAGE CODE: 00779 DRAWING NO: 1747414 RESTRICTED TO

SCALE: 3:1 SHEET 1 OF 1 REV B