

4

3

2

1

THIS DRAWING IS UNPUBLISHED.

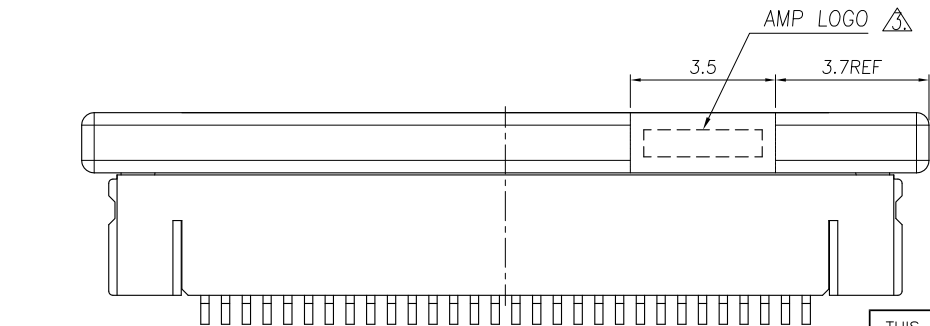
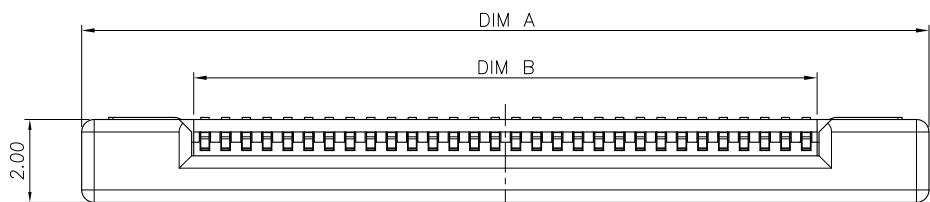
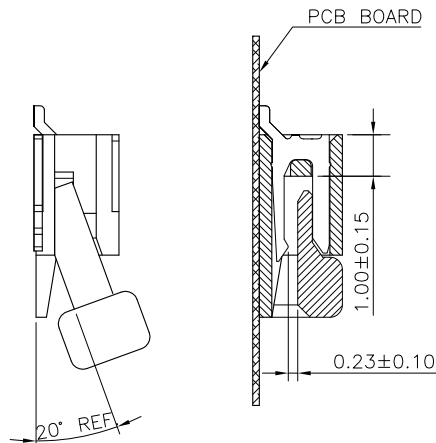
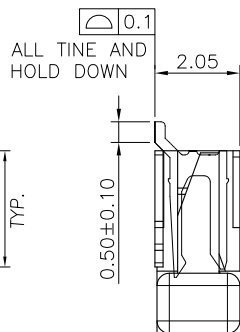
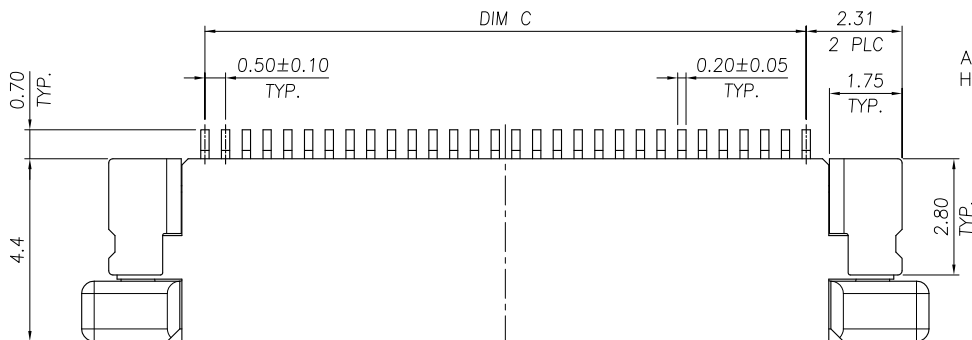
RELEASED FOR PUBLICATION

AUG, 2006.

© COPYRIGHT BY TYCO ELECTRONICS CORPORATION.

ALL RIGHTS RESERVED.

| LOC | DIST | REVISIONS | | | |
|-----|------|-------------|-------------------------|---------|-------|
| P | LTR | DESCRIPTION | DATE | DWN | APVD |
| DW | - | C | REVISED (ECR-13-003844) | 04JUN13 | JL WK |



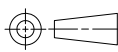
NOTE:

- MATERIAL:
HOUSING: THERMOPLASTIC(LCP), UL 94V-0, COLOR: NATURE.
ACTUATOR: THERMOPLASTIC, UL 94 V-0, COLOR: IVORY.
HOLD DOWN: PHOSPHOR BRONZE.
CONTACT: PHOSPHOR BRONZE.
- FINISH:
CONTACT: GOLD FLASH OVER ALL, 50u" MIN. NICKEL UNDERPLATED ALL OVER.
HOLD DOWN: 100u" MIN. BRIGHT TIN PLATING OVER, 50u" MIN. NICKEL UNDERPLATED ALL OVER.
⚠ WITHOUT AMP LOGO FOR 12 POSITION UNDER

| | | | | |
|------------|-------|-------|------|-------------|
| 24.50 | 25.60 | 30.43 | 50 | 5-1734592-0 |
| 24.00 | 25.10 | 29.93 | 49 | 4-1734592-9 |
| 23.50 | 24.60 | 29.43 | 48 | 4-1734592-8 |
| 23.00 | 24.10 | 28.93 | 47 | 4-1734592-7 |
| 22.50 | 23.60 | 28.43 | 46 | 4-1734592-6 |
| 22.00 | 23.10 | 27.63 | 45 | 4-1734592-5 |
| 21.50 | 22.60 | 27.43 | 44 | 4-1734592-4 |
| 21.00 | 22.10 | 26.93 | 43 | 4-1734592-3 |
| 20.50 | 21.60 | 26.43 | 42 | 4-1734592-2 |
| 20.00 | 21.10 | 25.93 | 41 | 4-1734592-1 |
| 19.50 | 20.60 | 25.43 | 40 | 4-1734592-0 |
| 19.00 | 20.10 | 24.93 | 39 | 3-1734592-9 |
| 18.50 | 19.60 | 24.43 | 38 | 3-1734592-8 |
| 18.00 | 19.10 | 23.93 | 37 | 3-1734592-7 |
| 17.50 | 18.60 | 23.43 | 36 | 3-1734592-6 |
| 17.00 | 18.10 | 22.93 | 35 | 3-1734592-5 |
| 16.50 | 17.60 | 22.43 | 34 | 3-1734592-4 |
| 16.00 | 17.10 | 21.93 | 33 | 3-1734592-3 |
| 15.50 | 16.60 | 21.43 | 32 | 3-1734592-2 |
| 15.00 | 16.10 | 20.93 | 31 | 3-1734592-1 |
| 14.50 | 15.60 | 20.43 | 30 | 3-1734592-0 |
| 14.00 | 15.10 | 19.93 | 29 | 2-1734592-9 |
| 13.50 | 14.60 | 19.43 | 28 | 2-1734592-8 |
| 13.00 | 14.10 | 18.93 | 27 | 2-1734592-7 |
| 12.50 | 13.60 | 18.43 | 26 | 2-1734592-6 |
| 12.00 | 13.10 | 17.93 | 25 | 2-1734592-5 |
| 11.50 | 12.60 | 17.43 | 24 | 2-1734592-4 |
| 11.00 | 12.10 | 16.93 | 23 | 2-1734592-3 |
| 10.50 | 11.60 | 16.43 | 22 | 2-1734592-2 |
| 10.00 | 11.10 | 15.93 | 21 | 2-1734592-1 |
| 9.50 | 10.60 | 15.43 | 20 | 2-1734592-0 |
| 9.00 | 10.10 | 14.93 | 19 | 1-1734592-9 |
| 8.50 | 9.60 | 14.43 | 18 | 1-1734592-8 |
| 8.00 | 9.10 | 13.93 | 17 | 1-1734592-7 |
| 7.50 | 8.60 | 13.43 | 16 | 1-1734592-6 |
| 7.00 | 8.10 | 12.93 | 15 | 1-1734592-5 |
| 6.50 | 7.60 | 12.43 | 14 | 1-1734592-4 |
| 6.00 | 7.10 | 11.93 | 13 | 1-1734592-3 |
| 5.50 | 6.60 | 11.43 | 12 | 1-1734592-2 |
| 5.00 | 6.10 | 10.93 | 11 | 1-1734592-1 |
| 4.50 | 5.60 | 10.43 | 10 | 1-1734592-0 |
| 4.00 | 5.10 | 9.93 | 09 | 0-1734592-9 |
| 3.50 | 4.60 | 9.43 | 08 | 0-1734592-8 |
| 3.00 | 4.10 | 8.93 | 07 | 0-1734592-7 |
| 2.50 | 3.60 | 8.43 | 06 | 0-1734592-6 |
| 2.00 | 3.10 | 7.93 | 05 | 0-1734592-5 |
| C | B | A | POS. | PART NUMBER |
| DIMENSIONS | | | | |

THIS DRAWING IS A CONTROLLED DOCUMENT.

DIMENSIONS: MM



| TOLERANCES UNLESS OTHERWISE SPECIFIED: | |
|--|--------|
| 0 PLC | ± - |
| 1 PLC | ± 0.35 |
| 2 PLC | ± 0.25 |
| 3 PLC | ± - |
| 4 PLC | ± - |
| ANGLES | ± 3° |

MATERIAL SEE NOTE

FINISH SEE NOTE

| | | |
|---------------------------|-----------|-----------|
| DWN | J. LAI | 15APR2009 |
| CHK | S. CHIEN | 15APR2009 |
| APVD | W. KODAMA | 15APR2009 |
| PRODUCT SPEC | 108-57523 | |
| QUALIFICATION TEST REPORT | 501-57598 | |
| WEIGHT | - GRAMS | |
| CUSTOMER DRAWING | | |

STE TE Connectivity

FPC CONNECTOR, 0.5mm PITCH, BOTTOM CONTACT, SMT TYPE.

| | | | |
|------|-----------|------------|---------------|
| SIZE | CAGE CODE | DRAWING NO | RESTRICTED TO |
| A3 | 00779 | C=1734592 | - |

SCALE - SHEET 1 OF 3 REV C

4

3

2

1

THIS DRAWING IS UNPUBLISHED.

RELEASED FOR PUBLICATION

AUG ,2006.

© COPYRIGHT BY TYCO ELECTRONICS CORPORATION.

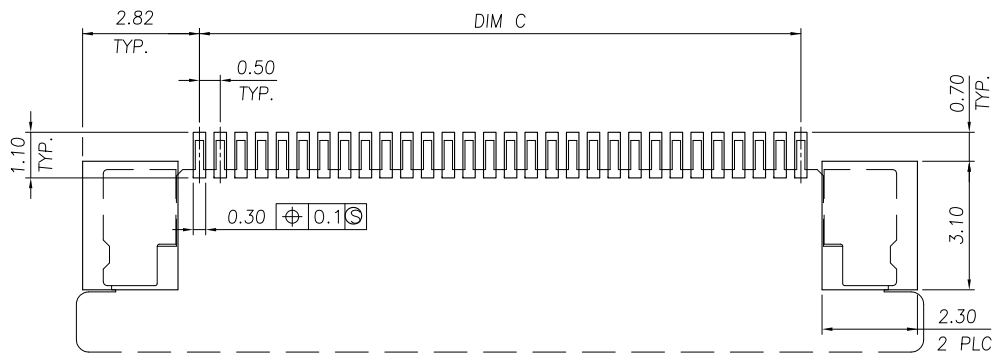
ALL RIGHTS RESERVED.

LOC DW

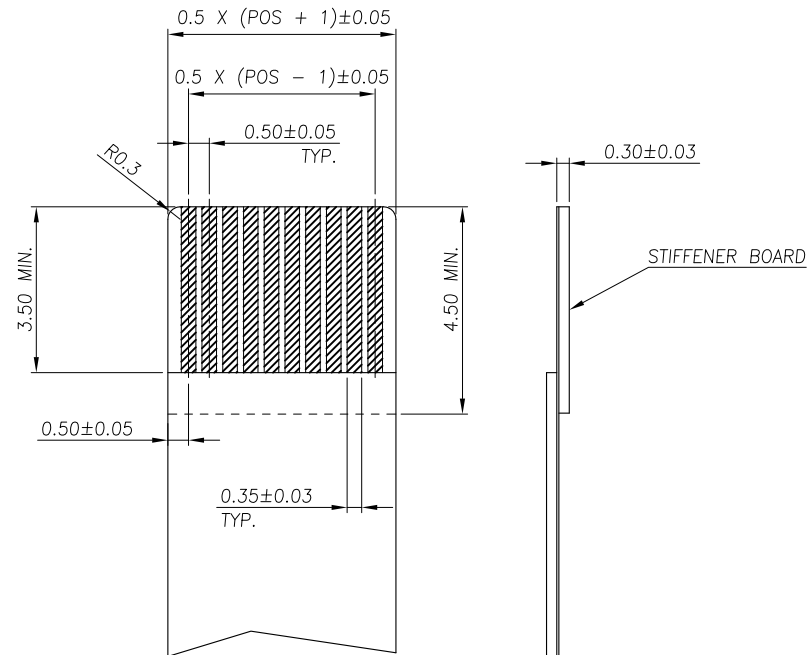
DIST

REVISIONS

| P | LTR | DESCRIPTION | DATE | DWN | APVD |
|---|-----|--------------|------|-----|------|
| | | SEE SHEET 1. | | | |



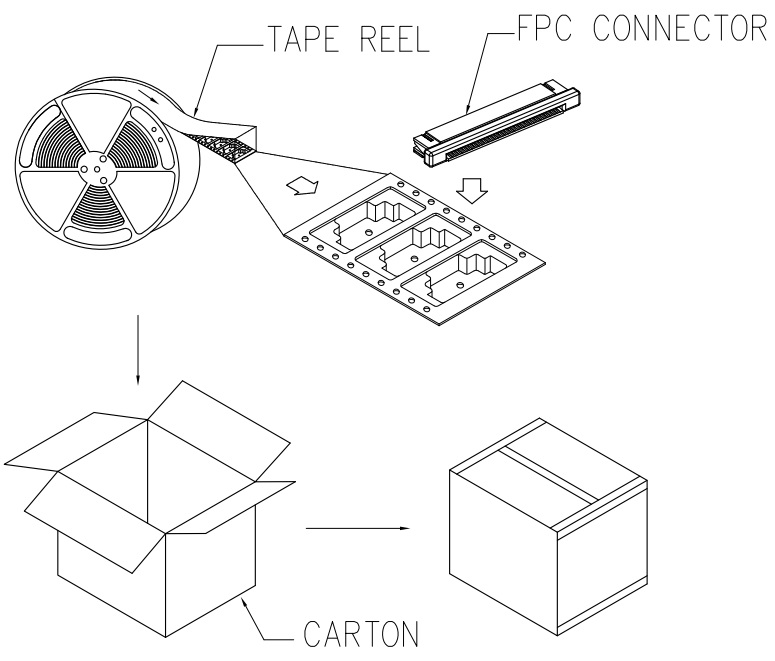
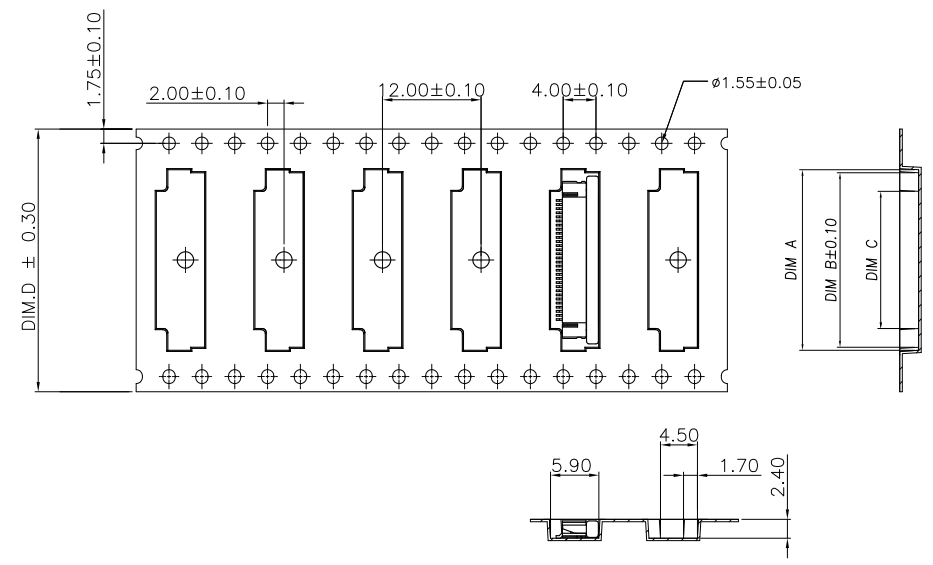
RECOMMENDED PCB DIMENSIONS DIAGRAM
TOLERANCE ± 0.05



RECOMMENDED FPC DIMENSIONS DIAGRAM
TOLERANCE ± 0.05

| | | | | |
|--|--|------------------|---|---------------|
| THIS DRAWING IS A CONTROLLED DOCUMENT. | | DWN | STE TE Connectivity | |
| | | CHK | | |
| DIMENSIONS: MM | TOLERANCES UNLESS OTHERWISE SPECIFIED: | APVD | NAME | |
| | 0 PLC ± - | PRODUCT SPEC | FPC CONNECTOR, 0.5mm PITCH, BOTTOM CONTACT, SMT TYPE. | |
| | 1 PLC ± 0.35 | APPLICATION SPEC | SIZE | CAGE CODE |
| | 2 PLC ± 0.25 | | A3 | 00779 |
| | 3 PLC ± - | | DRAWING NO | |
| 4 PLC ± - | ANGLES ± 3° | WEIGHT | G=1734592 | |
| MATERIAL | FINISH | CUSTOMER DRAWING | | RESTRICTED TO |
| | | SCALE | SHEET | REV |
| | | | 2 OF 3 | C |

| LOC | DIST | REVISIONS | | | |
|--------------|------|-------------|------|-----|------|
| P | LTR | DESCRIPTION | DATE | DWN | APVD |
| SEE SHEET 1. | | | | | |



- NOTE :
1. TAPE REEL:
DIAMETER: 13", THICKNESS : 0.35±0.05mm.
 2. CARTON:
SIZE: 350mm(L)X 350mm(W)X 340mm(H).

| APQ (PCS/CARTON) | PPQ (PCS/REEL) | D | C | B | A | POS. |
|------------------|----------------|-------|-------|-------|-------|-------|
| 12000 | 2000 | 44.00 | 26.70 | 30.55 | 31.50 | 50 |
| | | 44.00 | 26.20 | 30.05 | 31.00 | 49 |
| | | 44.00 | 25.70 | 29.55 | 30.50 | 48 |
| | | 44.00 | 25.20 | 29.05 | 30.00 | 47 |
| | | 44.00 | 24.70 | 28.55 | 29.50 | 46 |
| | | 44.00 | 24.20 | 28.05 | 29.00 | 45 |
| | | 44.00 | 23.70 | 27.55 | 28.50 | 44 |
| | | 44.00 | 23.20 | 27.05 | 28.00 | 43 |
| | | 44.00 | 22.70 | 26.55 | 27.50 | 42 |
| | | 44.00 | 22.20 | 26.05 | 27.00 | 41 |
| | | 44.00 | 21.70 | 25.55 | 26.50 | 40 |
| | | 44.00 | 21.20 | 25.05 | 26.00 | 39 |
| 16000 | 2000 | 44.00 | 20.70 | 24.55 | 25.50 | 38 |
| | | 44.00 | 20.20 | 24.05 | 25.00 | 37 |
| | | 44.00 | 19.70 | 23.55 | 24.50 | 36 |
| | | 44.00 | 19.20 | 23.05 | 24.00 | 35 |
| | | 44.00 | 18.70 | 22.55 | 23.50 | 34 |
| | | 44.00 | 18.20 | 22.05 | 23.00 | 33 |
| | | 44.00 | 17.70 | 21.55 | 22.50 | 32 |
| | | 44.00 | 17.20 | 21.05 | 22.00 | 31 |
| | | 32.00 | 16.70 | 20.55 | 21.50 | 30 |
| | | 32.00 | 16.20 | 20.05 | 21.00 | 29 |
| | | 32.00 | 15.70 | 19.55 | 20.50 | 28 |
| | | 20000 | 2000 | 32.00 | 15.20 | 19.05 |
| 32.00 | 14.70 | | | 18.55 | 19.50 | 26 |
| 32.00 | 14.20 | | | 18.05 | 19.00 | 25 |
| 32.00 | 13.70 | | | 17.55 | 18.50 | 24 |
| 32.00 | 13.20 | | | 17.05 | 18.00 | 23 |
| 32.00 | 12.70 | | | 16.55 | 17.50 | 22 |
| 32.00 | 12.20 | | | 16.05 | 17.00 | 21 |
| 24.00 | 11.70 | | | 15.55 | 16.50 | 20 |
| 24.00 | 11.20 | | | 15.05 | 16.00 | 19 |
| 24.00 | 10.70 | | | 14.55 | 15.50 | 18 |
| 24.00 | 10.20 | | | 14.05 | 15.00 | 17 |
| 24.00 | 9.70 | | | 13.55 | 14.50 | 16 |
| 24.00 | 9.20 | 13.05 | 14.00 | 15 | | |
| 24.00 | 8.70 | 12.55 | 13.50 | 14 | | |
| 24.00 | 8.20 | 12.05 | 13.00 | 13 | | |
| 24.00 | 7.70 | 11.55 | 12.50 | 12 | | |
| 24.00 | 7.20 | 11.05 | 12.00 | 11 | | |
| 24.00 | 6.70 | 10.55 | 11.50 | 10 | | |
| 24.00 | 6.20 | 10.05 | 11.00 | 09 | | |
| 24.00 | 5.70 | 9.55 | 10.50 | 08 | | |
| 24.00 | 5.20 | 9.05 | 10.00 | 07 | | |
| 24.00 | 4.70 | 8.55 | 9.50 | 06 | | |
| 24.00 | 4.20 | 8.05 | 9.00 | 05 | | |

THIS DRAWING IS A CONTROLLED DOCUMENT.

| | | | | | | | | |
|----------------|--|-----|-----|------|--------------|------------------|--------|------------------|
| DIMENSIONS: MM | TOLERANCES UNLESS OTHERWISE SPECIFIED: | DWN | CHK | APVD | PRODUCT SPEC | APPLICATION SPEC | WEIGHT | CUSTOMER DRAWING |
| 0 PLC ± - | 1 PLC ± - | | | | | | | |
| 2 PLC ± - | 3 PLC ± - | | | | | | | |
| 4 PLC ± - | ANGLES ± - | | | | | | | |
| MATERIAL | FINISH | | | | | | | |

TE Connectivity

FPC CONNECTOR, 0.5mm PITCH, BOTTOM CONTACT, SMT TYPE.

SIZE: A3 CAGE CODE: 00779 C=1734592 DRAWING NO: RESTRICTED TO

SCALE: SHEET 3 OF 3 REV C