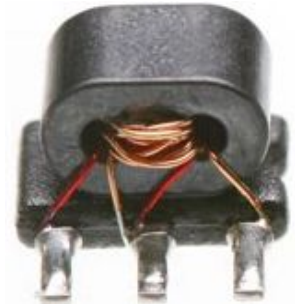


RF Balun Transformer, 1: 4CT Flux Coupled Transformer

Features::

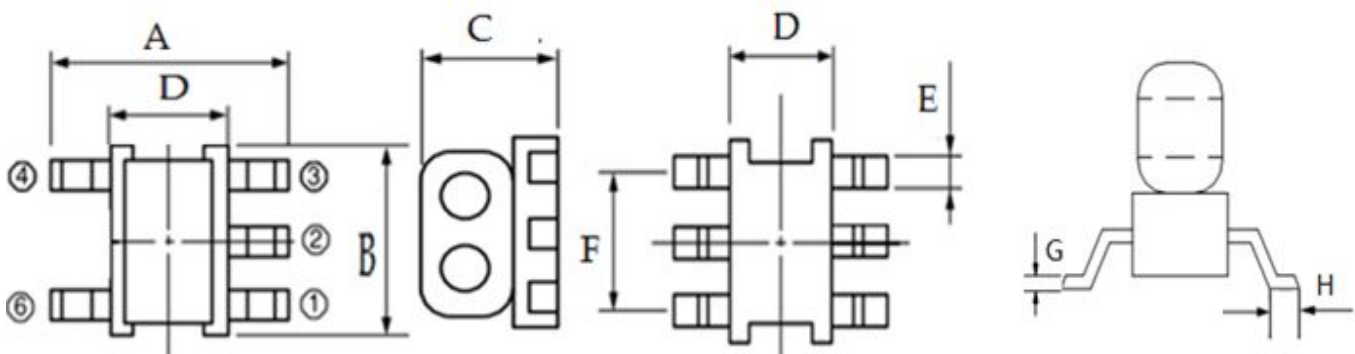
- ◆ 1: 4CT Impedance
- ◆ 50Ω Characteristic Impedance
- ◆ Frequency: 8to 750 MHz
- ◆ RF power: 0.50W
- ◆ DC current: 30mA
- ◆ Operating temperature range: -40°C to +85°C
- ◆ Storage temperature range: -55°C to +100°C



Applications:

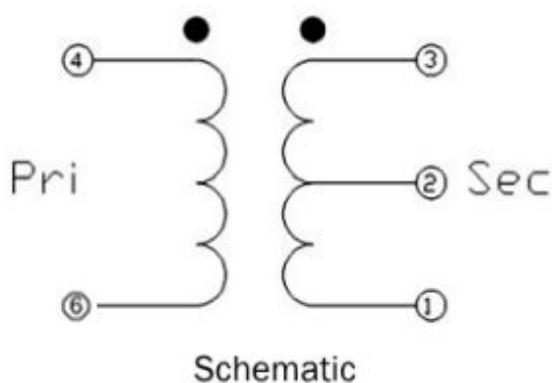
- ◆ For broadband and wireless communications
- ◆ For VHF/UHF receivers/transmitters and push-pull amplifiers

Dimension Diagram (Unit:mm) :

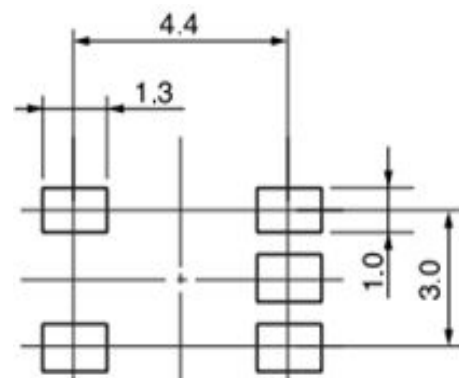


$$A=5.30\pm 0.20 \quad B=4.30\pm 0.20 \quad C=3.50\pm 0.20 \quad D=2.80\pm 0.20 \quad E=0.55\pm 0.05 \quad F=3.00\pm 0.05 \quad G=0.25\pm 0.05 \quad H=0.60\pm 0.05$$

Electrical structure:

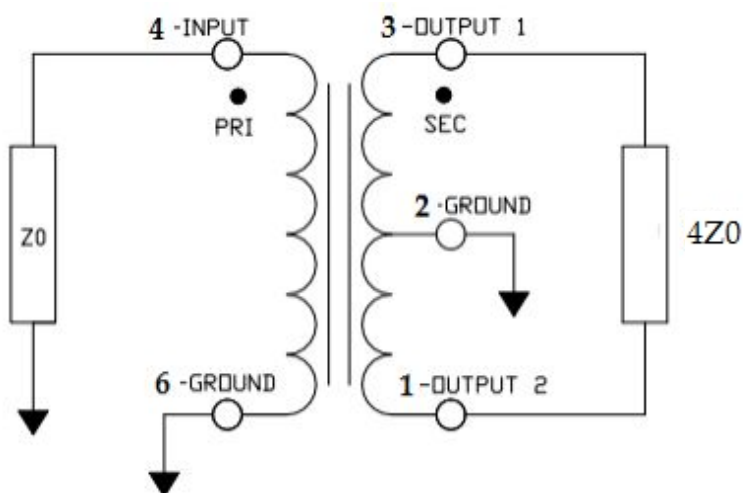


Recommended layout:



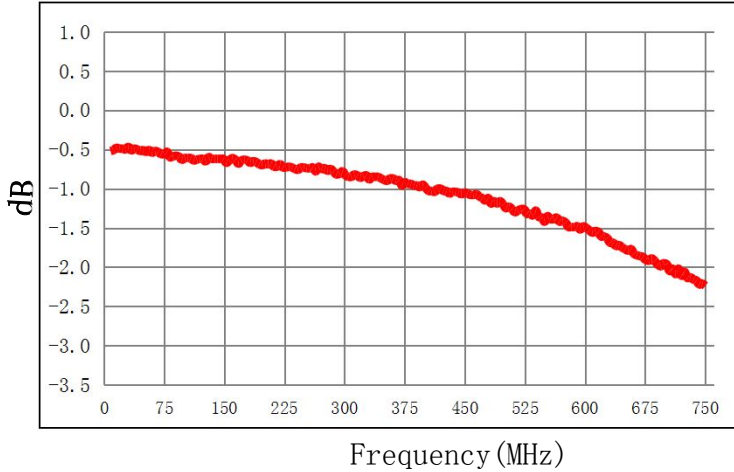
Pin configuration

Pin no.	Function
1	Secondary (Output 2)
2	Centre tap (Ground)
3	Secondary dot (Output 1)
4	Primary dot (Input)
6	Primary (Ground)

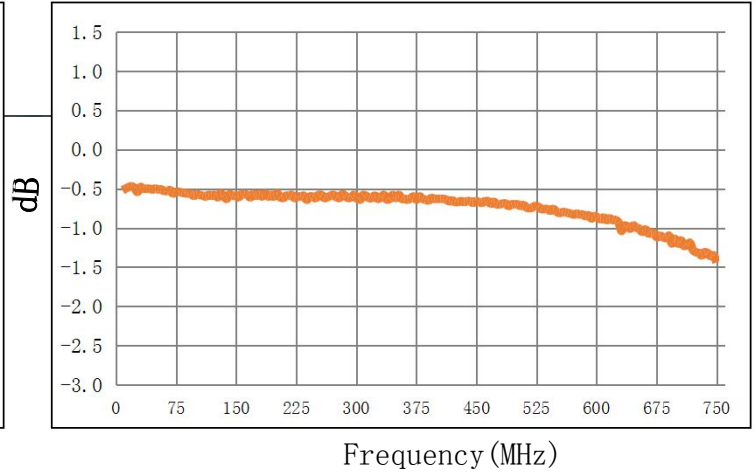
Application circuit :

Electrical Specifications: $T_A = 25^\circ\text{C}$ $Z_0 = 50\Omega$,

Parameter	Test Conditions	Units	Min	Typ	Max
Main line Loss(out1)	8-750MHz	dB	—	1.0	3.0
Main line Loss(out2)	8-750MHz	dB	—	1.0	2.5
Amplitude Balance	8-750MHz	dB	—	0.5	± 1.0
Phase Balance	8-750MHz	Degrees	—	± 10	± 12
Input Return Loss	8-750MHz	dB	10.0	16.0	—

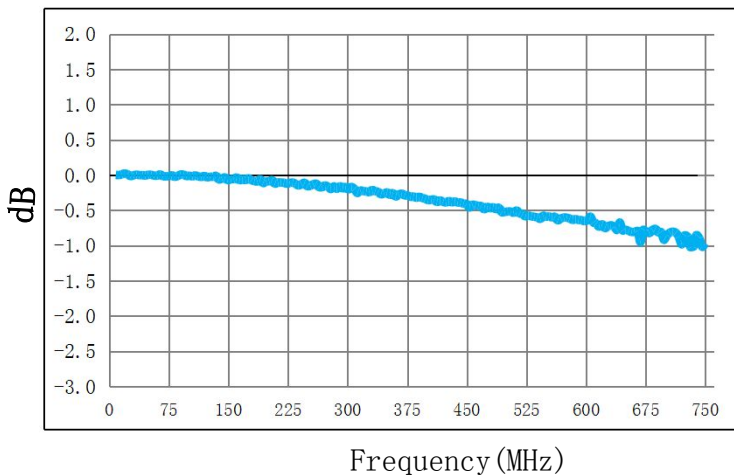
Main line Loss(out1)



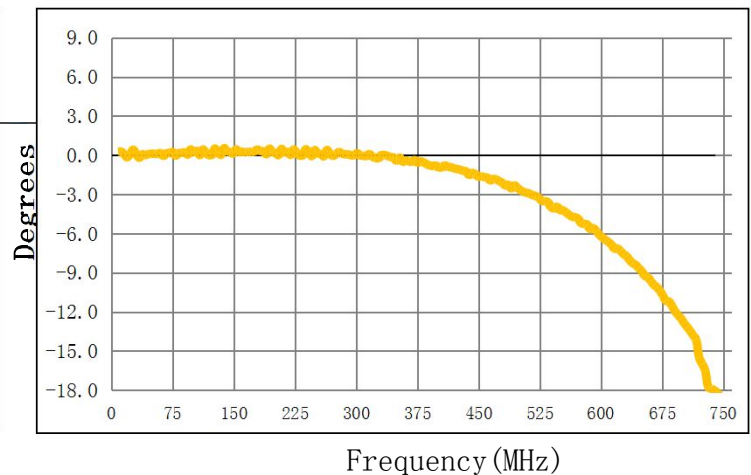
Main line Loss(out2)



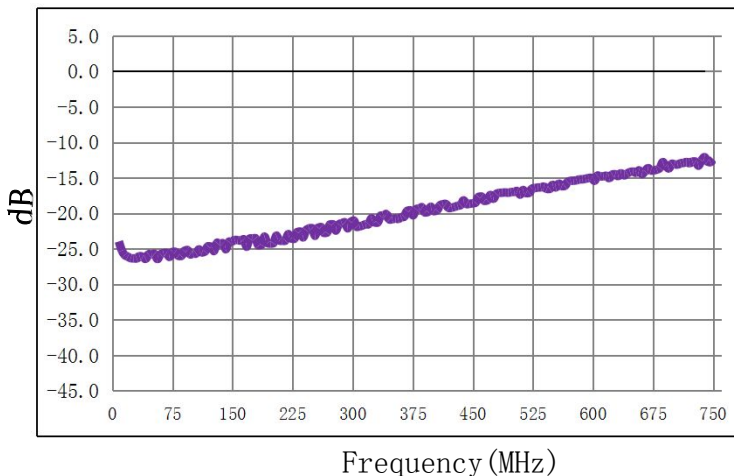
Amplitude Balance



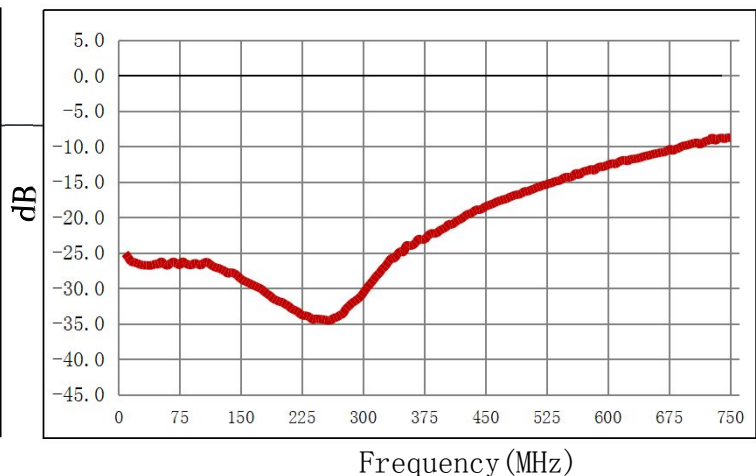
Phase Balance



Input Return Loss

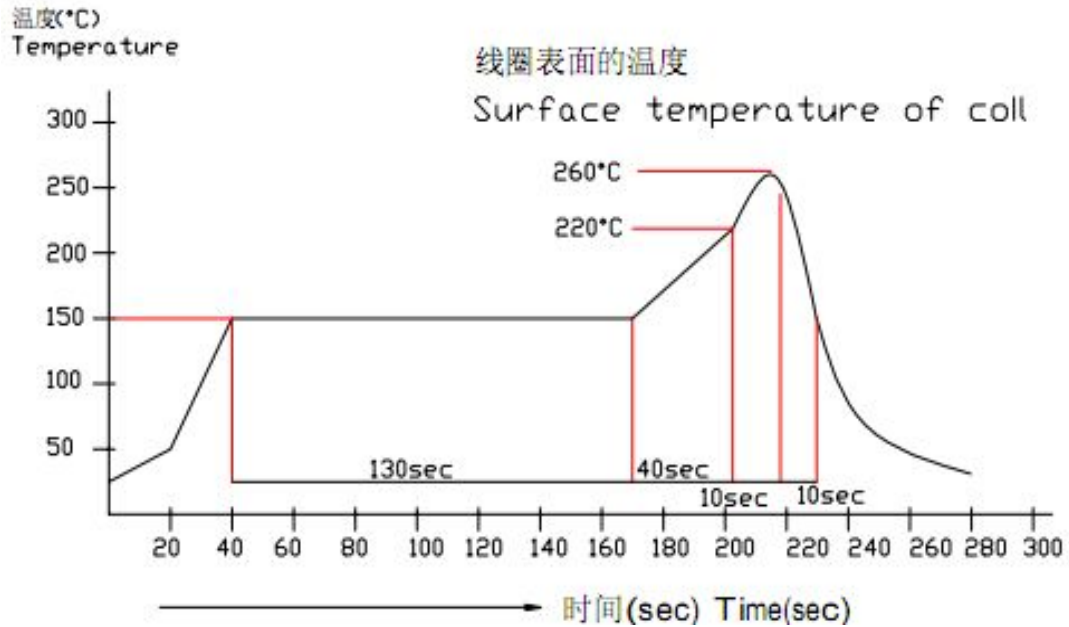


Sdd22

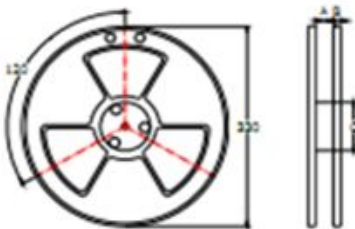
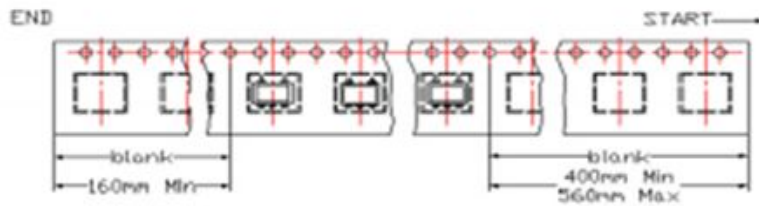


Recommended Soldering Temperature Graph:

建议迴焊条件
The condition of reflow
(Recommendation)



Packing Dimension For Caeier Tape(UNIT:mm):



SPEC	8	12	16	24	32	44	56	72
DIM A±0.1	8.5	12.5	16.5	24.5	32.5	44.5	56.5	72.5
DIM B±0.1	2.3	2.3	2.3	2.3	2.3	2.3	2.3	2.3
DIM C±0.1	100	100	100	100	100	100	100	100

QUANTITY
2000PCS/Reel

15 reel/Big carton/60000pcs