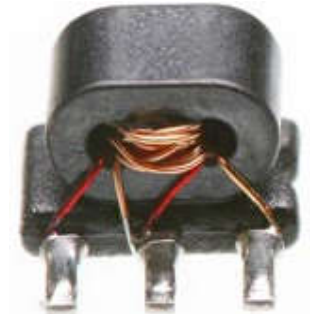
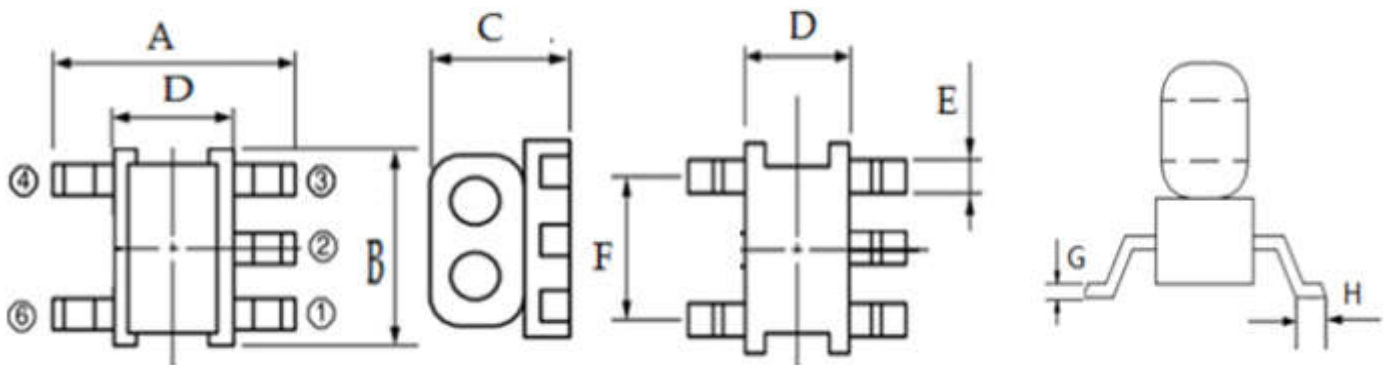


1: 4CT Flux Coupled Transformer
Features::

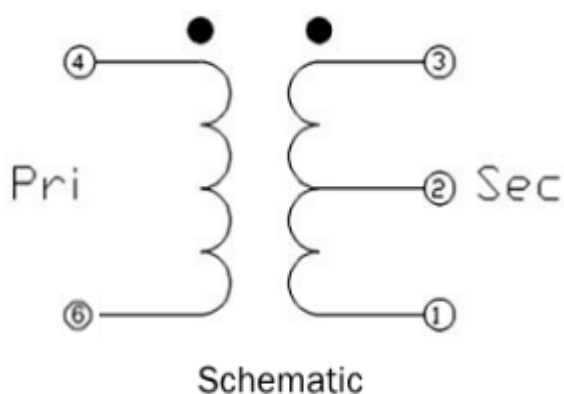
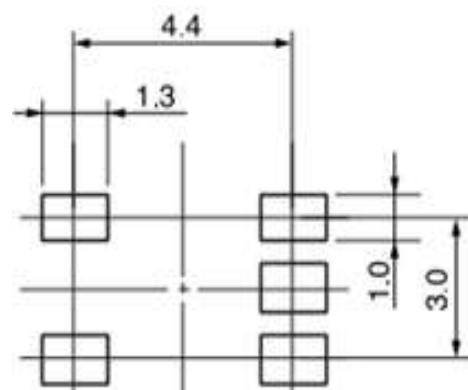
- ◆ 1: 4CT Impedance
- ◆ Equivalent to: TOKO #617PT-1664=P3
- ◆ Frequency: 3 to 200 MHz
- ◆ RF power: 0.50W
- ◆ DC current: 30mA
- ◆ Operating temperature range: -40°C to +85°C
- ◆ Storage temperature range: -55°C to +100°C


Applications:

- ◆ For broadband and wireless communications
- ◆ For VHF/UHF receivers/transmitters and push-pull amplifiers

Dimension Diagram (Unit:mm) :


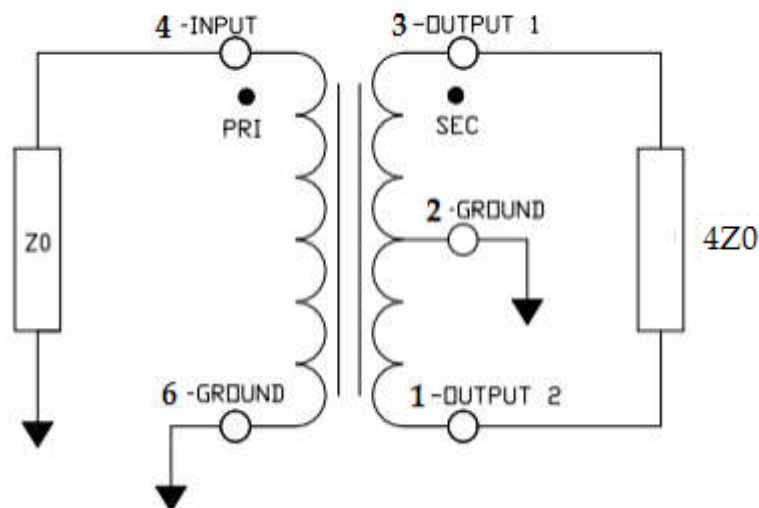
A=5.30±0.20 B=4.30±0.20 C=3.50±0.20 D=2.80±0.20 E=0.55±0.05 F=3.00±0.05 G=0.25±0.05 H=0.60±0.05

Electrical structure:

Recommended layout:


Pin configuration:

Pin no.	Function
1	Secondary (Output 2)
2	Centre tap (Ground)
3	Secondary dot (Output 1)
4	Primary dot (Input)
6	Primary (Ground)

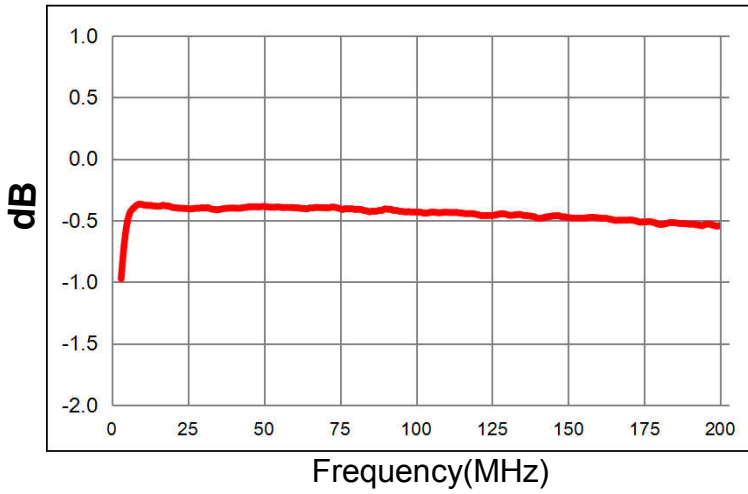
Application circuit :



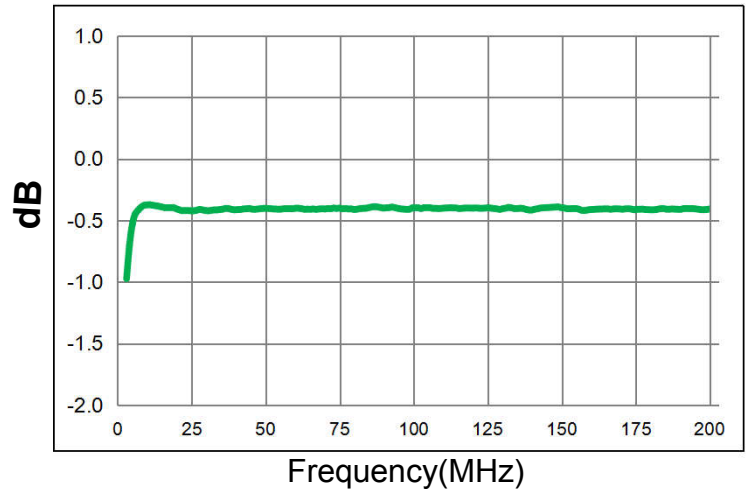
Electrical Specifications: $T_A = 25^\circ\text{C}$ $Z_0 = 50\Omega$,

Parameter	Test Conditions	Units	Min	Typ	Max
Main line Loss(out1)	3-200MHz	dB	—	0.5	1.0
Main line Loss(out2)	3-200MHz	dB	—	0.4	1.0
Amplitude Balance	3-200MHz	dB	—	0.1	0.5
Phase Balance	3-200MHz	Degrees	—	0.2	5.0
Input Return Loss	3-200MHz	dB	5.0	25.0	—

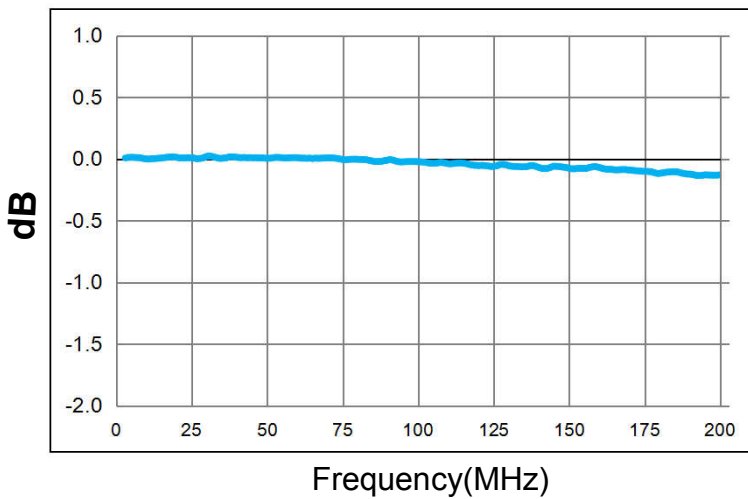
Main line Loss(out1)



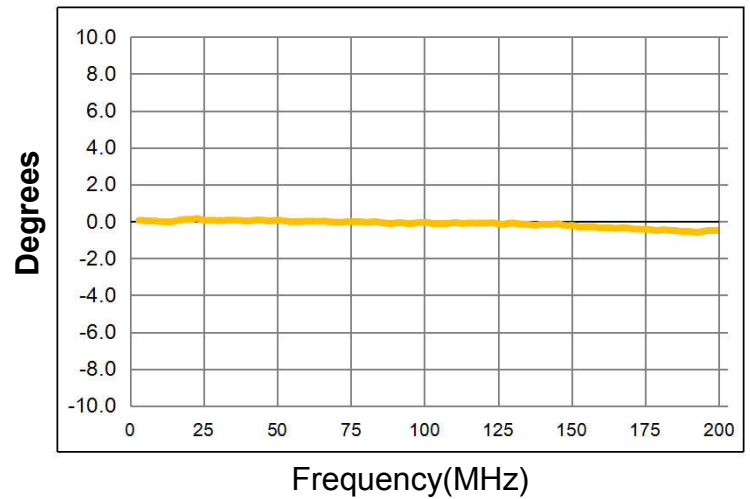
Main line Loss(out2)



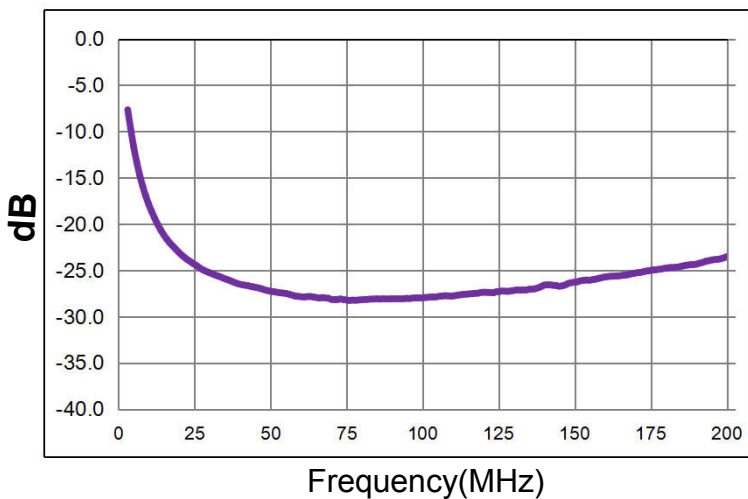
Amplitude Balance

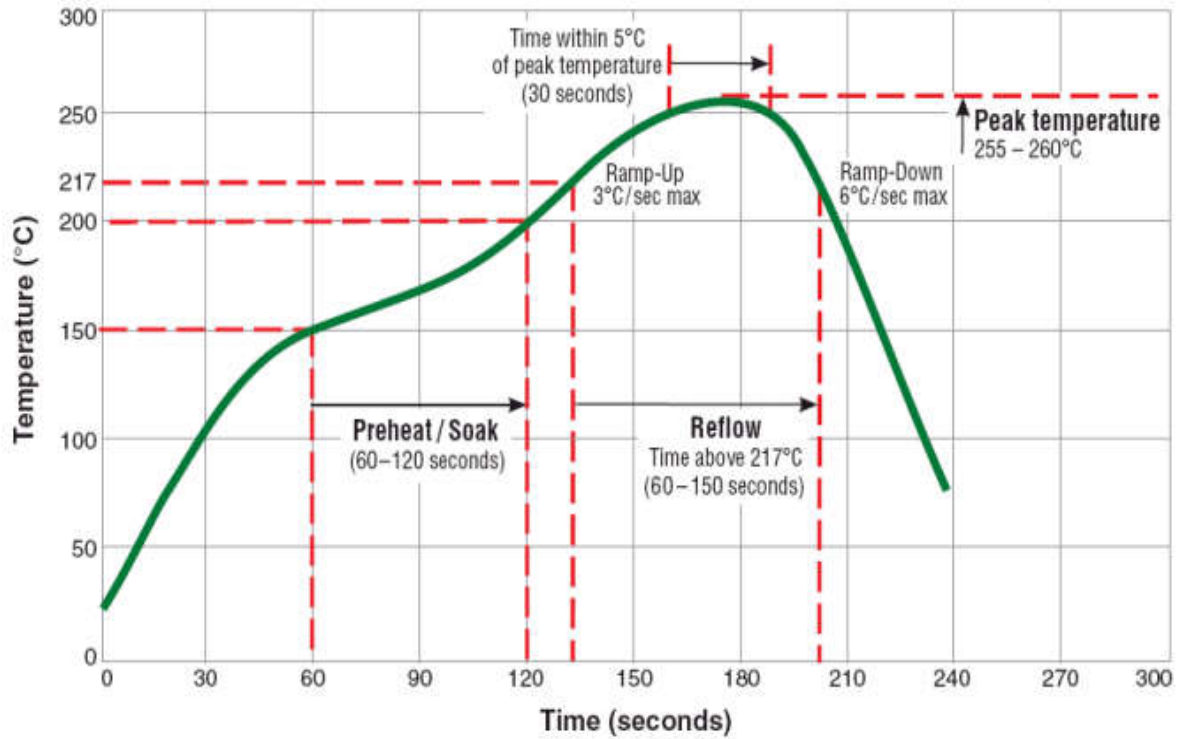
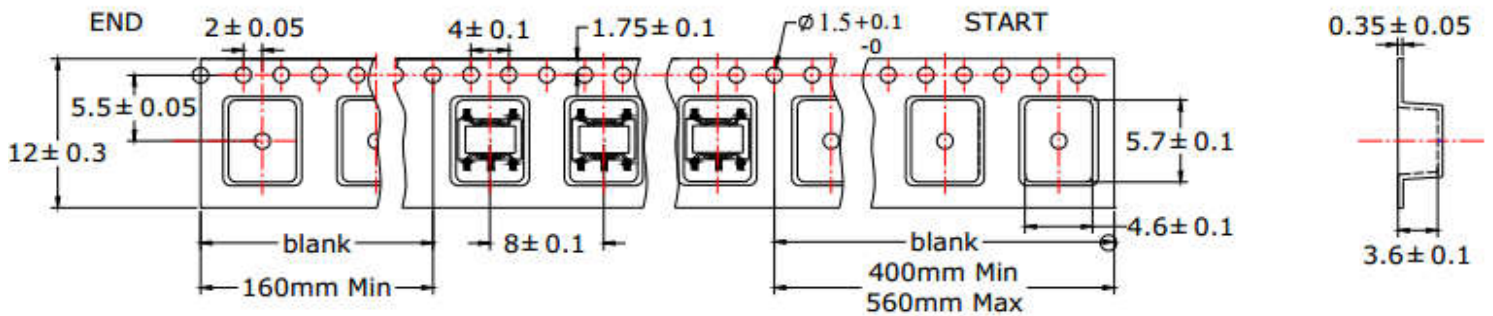


Phase Balance

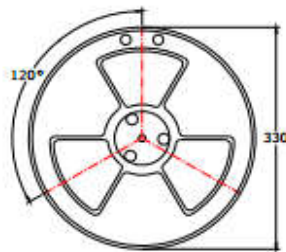


Input Return Loss



Recommended Soldering Temperature Graph:
Typical RoHS Reflow Profile

Packing Dimension For Caeier Tape(UNIT:mm):


QUANTITY
2000PCS/Reel
4Reels/Middle Carton Middle Carton:
4 Middle Cartons/Big Carton
32000PCS/ Big Carton



SPEC	8	12	16	24
DIM A±0.1	8.5	12.5	16.5	24.5
DIM B±0.1	2.3	2.3	2.3	2.3
DIM C±0.1	100	100	100	100

