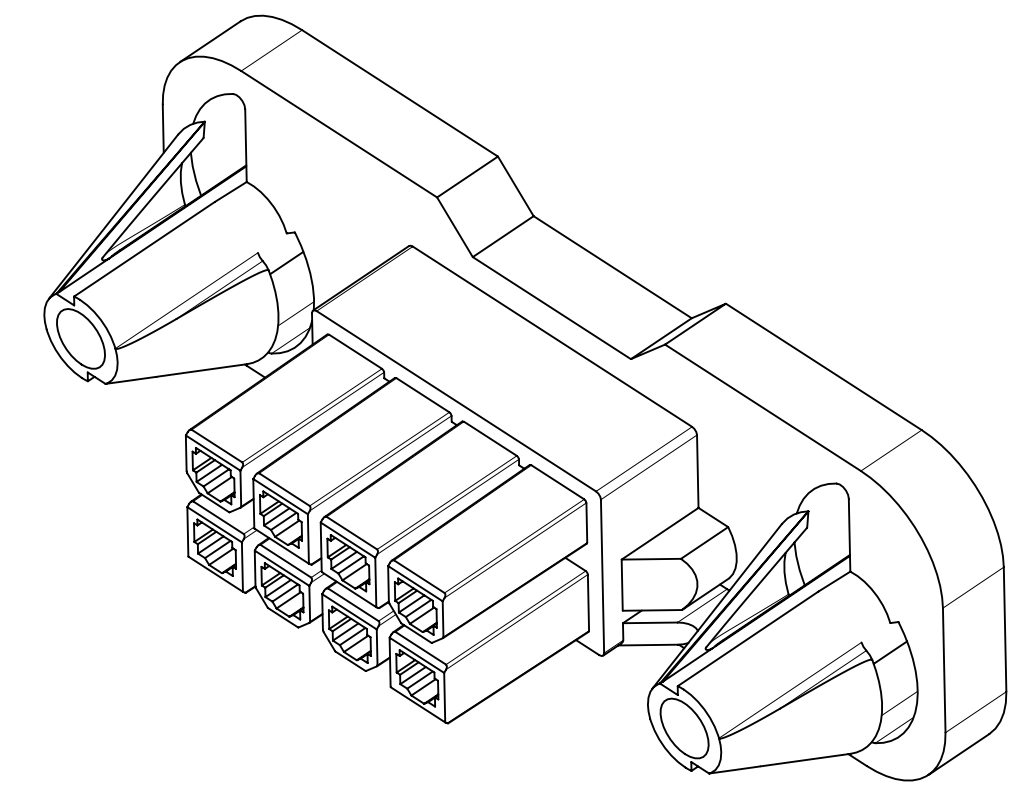
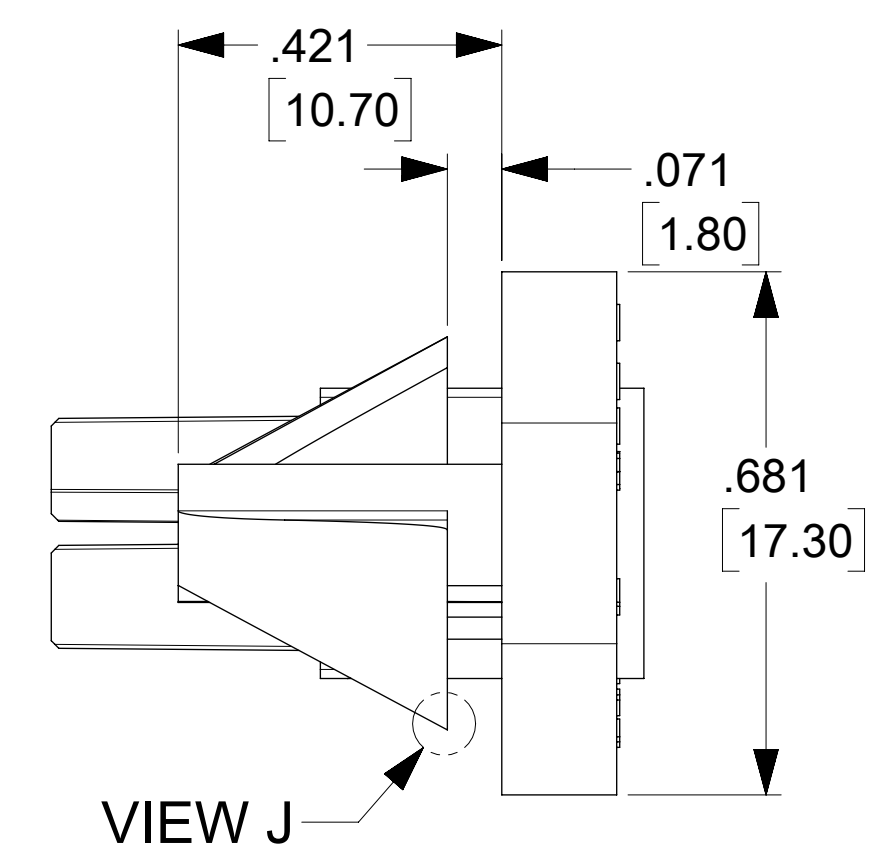
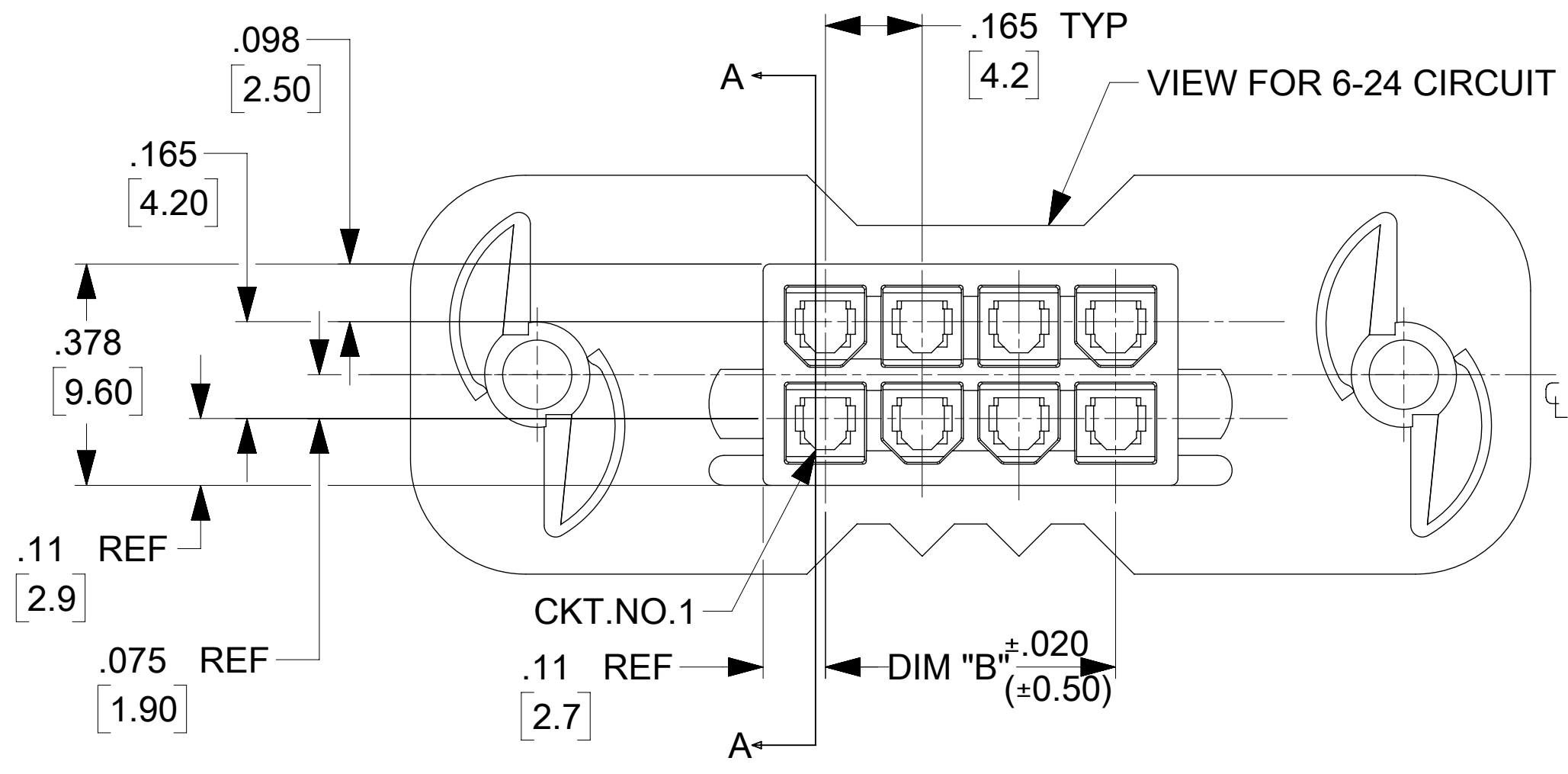
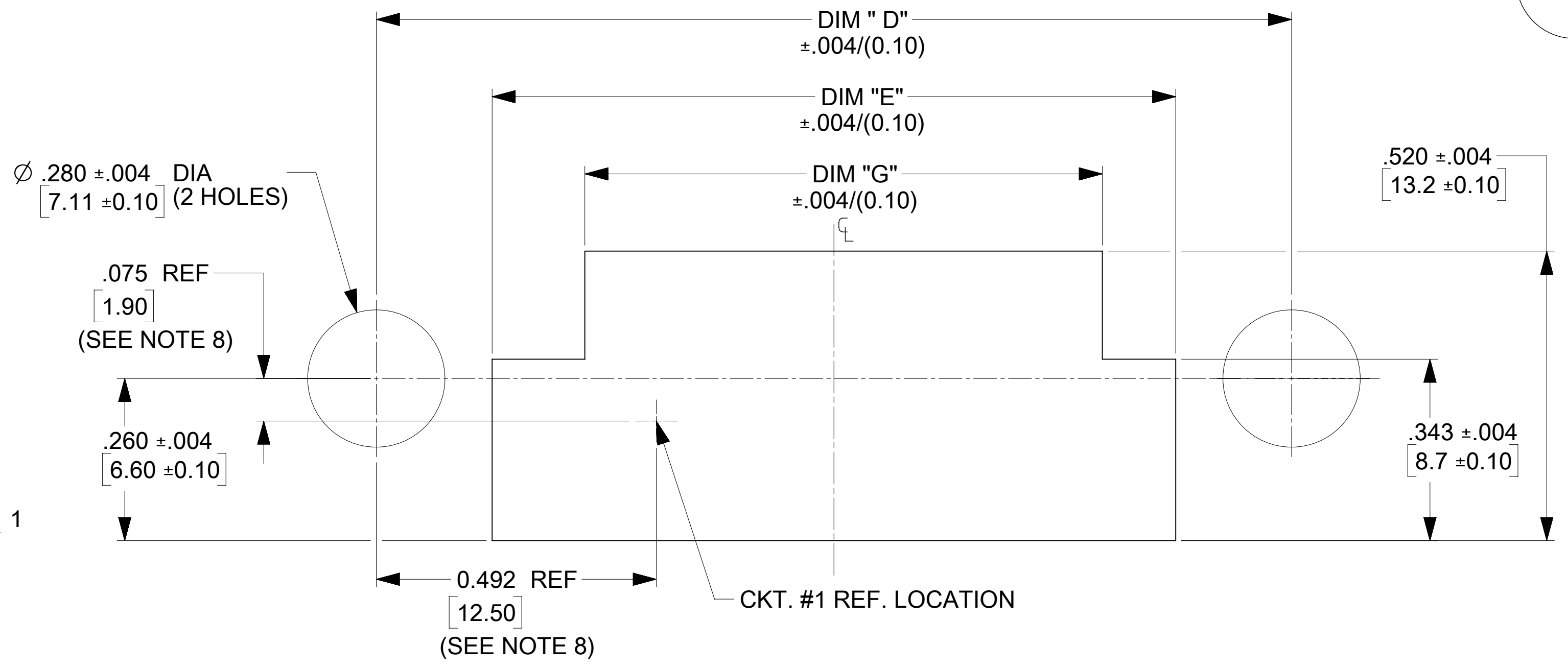
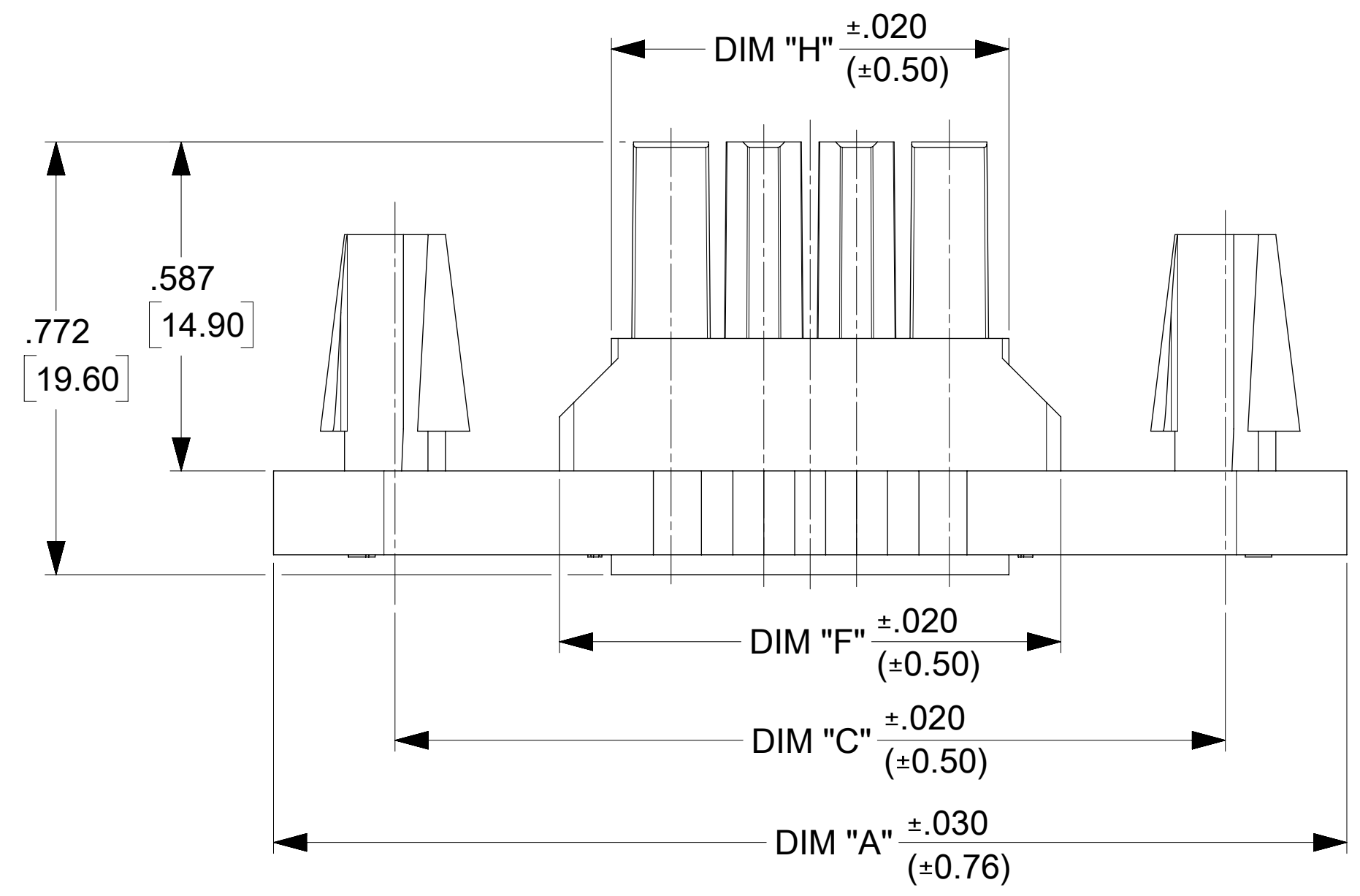
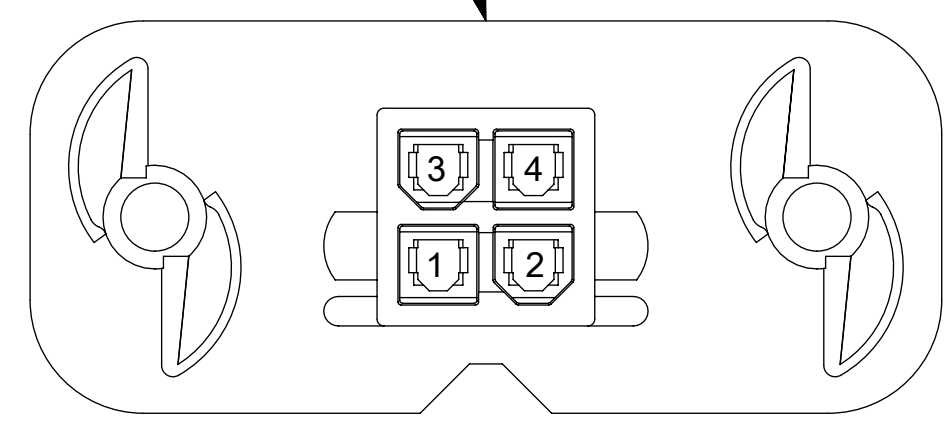


SECTION "A-A"  
TERMINAL ORIENTATION



VIEW FOR 2 AND 4 CIRCUIT  
NOTCH REMOVED



**RECOMMENDED PANEL CUT-OUT FOR .050 $\pm$ 0.12/(1.27 $\pm$ 0.30) THICK PANEL**  
(SEE NOTE 11)

**LEGEND:**

42474 - \* \* \* 1

BASE NUMBER

CIRCUIT SIZE (02-24)

MATERIAL (SEE NOTE 1)

| CKT SIZE | DIM "A"       | DIM "B"       | DIM "C"       | DIM "D"       | DIM "E"       | DIM "F"       | DIM "G"       | DIM "H"       |
|----------|---------------|---------------|---------------|---------------|---------------|---------------|---------------|---------------|
| 2        | 1.417 (36.00) | N/A           | .984 (25.00)  | .984 (25.00)  | .528 (13.40)  | .398 (10.10)  | .343 (8.70)   | .213 (5.40)   |
| 4        | 1.583 (40.20) | .165 (4.20)   | 1.150 (29.20) | 1.150 (29.20) | .693 (17.60)  | .563 (14.30)  | .508 (12.90)  | .378 (9.60)   |
| 6        | 1.748 (44.40) | .331 (8.40)   | 1.315 (33.40) | 1.315 (33.40) | .858 (21.80)  | .728 (18.50)  | .673 (17.10)  | .543 (13.80)  |
| 8        | 1.913 (48.60) | .496 (12.60)  | 1.480 (37.60) | 1.480 (37.60) | 1.024 (26.00) | .894 (22.70)  | .839 (21.30)  | .709 (18.00)  |
| 10       | 2.078 (52.80) | .661 (16.80)  | 1.645 (41.80) | 1.645 (41.80) | 1.189 (30.20) | 1.059 (26.90) | 1.004 (25.50) | .874 (22.20)  |
| 12       | 2.244 (57.00) | .827 (21.00)  | 1.811 (46.00) | 1.811 (46.00) | 1.354 (34.40) | 1.224 (31.10) | 1.169 (29.70) | 1.039 (26.40) |
| 14       | 2.409 (61.20) | .992 (25.20)  | 1.976 (50.20) | 1.976 (50.20) | 1.520 (38.60) | 1.390 (35.30) | 1.335 (33.90) | 1.205 (30.60) |
| 16       | 2.575 (65.40) | 1.157 (29.40) | 2.172 (54.40) | 2.172 (54.40) | 1.685 (42.80) | 1.555 (39.50) | 1.500 (38.10) | 1.370 (34.80) |
| 18       | 2.740 (69.60) | 1.323 (33.60) | 2.307 (58.60) | 2.307 (58.60) | 1.850 (47.00) | 1.720 (43.70) | 1.665 (42.30) | 1.535 (39.00) |
| 20       | 2.906 (73.80) | 1.488 (37.80) | 2.472 (62.80) | 2.472 (62.80) | 2.016 (51.20) | 1.886 (47.90) | 1.831 (46.50) | 1.701 (43.20) |
| 22       | 3.071 (78.00) | 1.653 (42.00) | 2.638 (67.00) | 2.638 (67.00) | 2.181 (55.40) | 2.051 (52.10) | 1.996 (50.70) | 1.866 (47.40) |
| 24       | 3.236 (82.20) | 1.819 (46.20) | 2.803 (71.20) | 2.803 (71.20) | 2.346 (59.60) | 2.217 (56.30) | 2.161 (54.90) | 2.031 (51.60) |

- NOTES:**
- MATERIAL:  
 "1" = NYLON 6/6, UNFILLED 94V-2, COLOR: NATURAL (WHITE)  
 "2" = NYLON 6/6, UNFILLED 94V-0, COLOR: NATURAL (WHITE)  
 "3" = NYLON 6/6, UNFILLED 94V-2, COLOR: BLACK  
 "4" = NYLON 6/6, UNFILLED 94V-0, COLOR: BLACK  
 "7" = NYLON 6/6, UNFILLED 94V-0, GLOW WIRE, COLOR: BLACK
  - FINISH: NOT APPLICABLE
  - PRODUCT SPECIFICATIONS: PS-5556-002
  - PACKAGING: PK-42474-001.
  - PART MATES WITH MINI-FIT B.M.I PLUG #42475, AND HEADERS 42404, 42440, 43810, 44068 & 43879.
  - PART TO BE USED WITH MOLEX FEMALE TERMINAL #5556.
  - THIS CONNECTOR ALLOWS FOR 050/(1.27) MAX. MISALIGNMENT IN ANY DIRECTION.
  - THIS DIMENSION TO BE USED FOR ALIGNMENT OF THE MATING CONNECTOR.
  - CONNECTOR ASSEMBLIES ARE NOT TO BE MATED OR UNMATED WHILE CIRCUITS ARE LIVE.
  - THIS PART IS INTENDED FOR ONE PANEL INSERTION ONLY. REMOVAL AND RE-INSERTION CAN DAMAGE THE MOUNTING SPIRALS.
  - PANEL SHOULD BE PUNCHED IN THE DIRECTION OF CONNECTOR INSERTION.
  - BOTH SPIRALS SHOULD BE INSERTED INTO THE PANEL AT THE SAME TIME. ROCKING THE PART INTO PLACE MAY CAUSE SPIRAL DAMAGE.
  - THIS PART IS NOT INTENDED TO PROVIDE ANY ALIGNMENT OF CUSTOMER COMPONENTS OR MODULES, SUCH AS POWER SUPPLIES AND CHASSIS.
  - IF THIS PRODUCT IS STORED IN AN ENVIRONMENT WITH A RELATIVE HUMIDITY OF LESS THAN 50%, MOISTURE MUST BE ADDED.  
REFER TO TECHNICAL ADVISORY AS-45499-001 FOR INSTRUCTIONS.
  - A MAXIMUM TOLERANCE OF .050/(1.27) ALLOWS FOR 2 POINTS OF ELECTRICAL CONTACT. A MAXIMUM TOLERANCE OF .020/(.51) ALLOWS FOR 4 POINTS OF CONTACT.
  - WIRES ARE TO BE DRESSED IN SUCH A MANNER TO ALLOW THE TERMINALS TO FLOAT FREELY IN THE POCKET.
  - PART CONFORMS TO CLASS "B" REQUIREMENTS OF COSMETIC SPECIFICATION PS-45499-002.

|  |   |                        |                   |                |
|--|---|------------------------|-------------------|----------------|
| FUNCTIONAL SYMBOLS                                   | THIS DRAWING CONTAINS INFORMATION THAT IS PROPRIETARY TO MOLEX ELECTRONIC TECHNOLOGIES, LLC AND SHOULD NOT BE USED WITHOUT WRITTEN PERMISSION |                        | CURRENT REV DESC: |                |
|  | DIMENSION UNITS   | SCALE                  |                   |                |
| $\nabla_A = 0$                                       | mm  | 1:1                    |                   |                |
| $\nabla_C = 0$                                       | GENERAL TOLERANCES (UNLESS SPECIFIED)   |                        |                   |                |
| $\nabla_P = 0$                                       |   | MM                     | INCH              |                |
| DIVISIONAL SYMBOLS                                   | 4 PLACES  | $\pm$                  | $\pm$             |                |
|  | 3 PLACES  | $\pm$                  | $\pm 0.015$       |                |
|  | 2 PLACES  | $\pm$                  | 0.38              |                |
|  | 1 PLACE   | $\pm$                  | $\pm$             |                |
| 0 PLACES   | $\pm$   | $\pm$                  |                   |                |
|  | ANGULAR TOL   | $\pm 0.5^\circ$        |                   |                |
| DRAFT WHERE APPLICABLE MUST REMAIN WITHIN DIMENSIONS |   | THIRD ANGLE PROJECTION | DRAWING           | SHEET NUMBER   |
|  |   |                        | D-SIZE            | 42474          |
|  |   |                        | MATERIAL NUMBER   | CUSTOMER       |
|  |   |                        | SEE SHEET 2       | GENERAL MARKET |
| DOCUMENT STATUS                                      |   | DOC NUMBER             | DOC TYPE          | DOC PART       |
| P1   | RELEASE DATE  | 1989/08/24             | PSD               | 001            |
| 2021/12/28   | 01:32:51  | 1987/08/24             |                   | P14            |
|  |   | SD-42474-XXXX          |                   |                |
|  |   | 1 OF 2                 |                   |                |

| PART NUMBER | ENG. NUMBER | CKT. SIZE | MATERIAL (SEE NOTE 1) |
|-------------|-------------|-----------|-----------------------|
| NOT TOLLED  | 42474-0211  | 2         | 94V-2                 |
| 15-06-0040  | 42474-0411  | 4         | 94V-2                 |
| 15-06-0060  | 42474-0611  | 6         | 94V-2                 |
| 15-06-0080  | 42474-0811  | 8         | 94V-2                 |
| 15-06-0100  | 42474-1011  | 10        | 94V-2                 |
| NOT TOLLED  | 42474-1211  | 12        | 94V-2                 |
| 15-06-0140  | 42474-1411  | 14        | 94V-2                 |
| NOT TOLLED  | 42474-1611  | 16        | 94V-2                 |
| 15-06-0180  | 42474-1811  | 18        | 94V-2                 |
| NOT TOLLED  | 42774-2011  | 20        | 94V-2                 |
| NOT TOLLED  | 42474-2211  | 22        | 94V-2                 |
| 15-06-0240  | 42474-2411  | 24        | 94V-2                 |

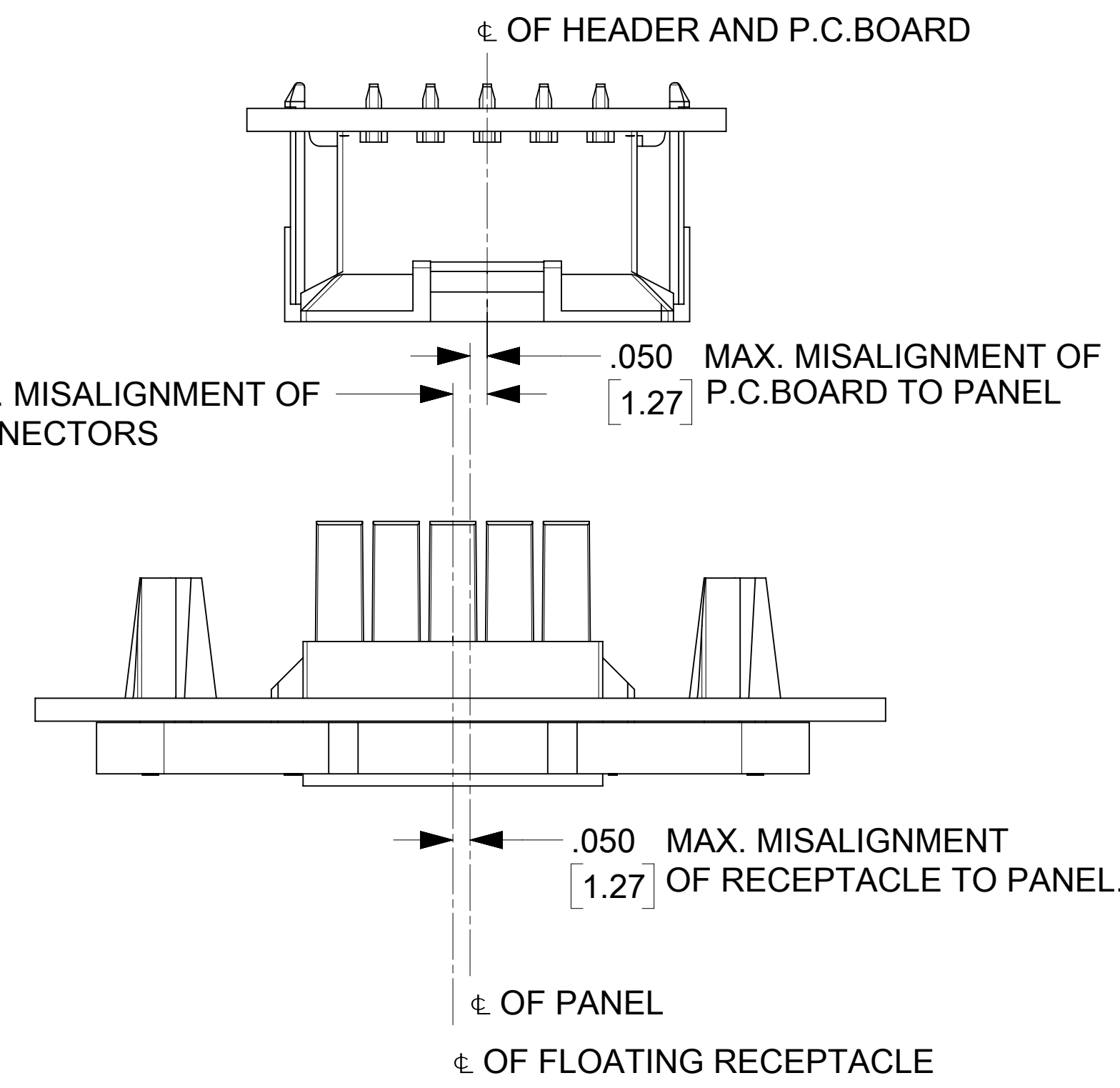
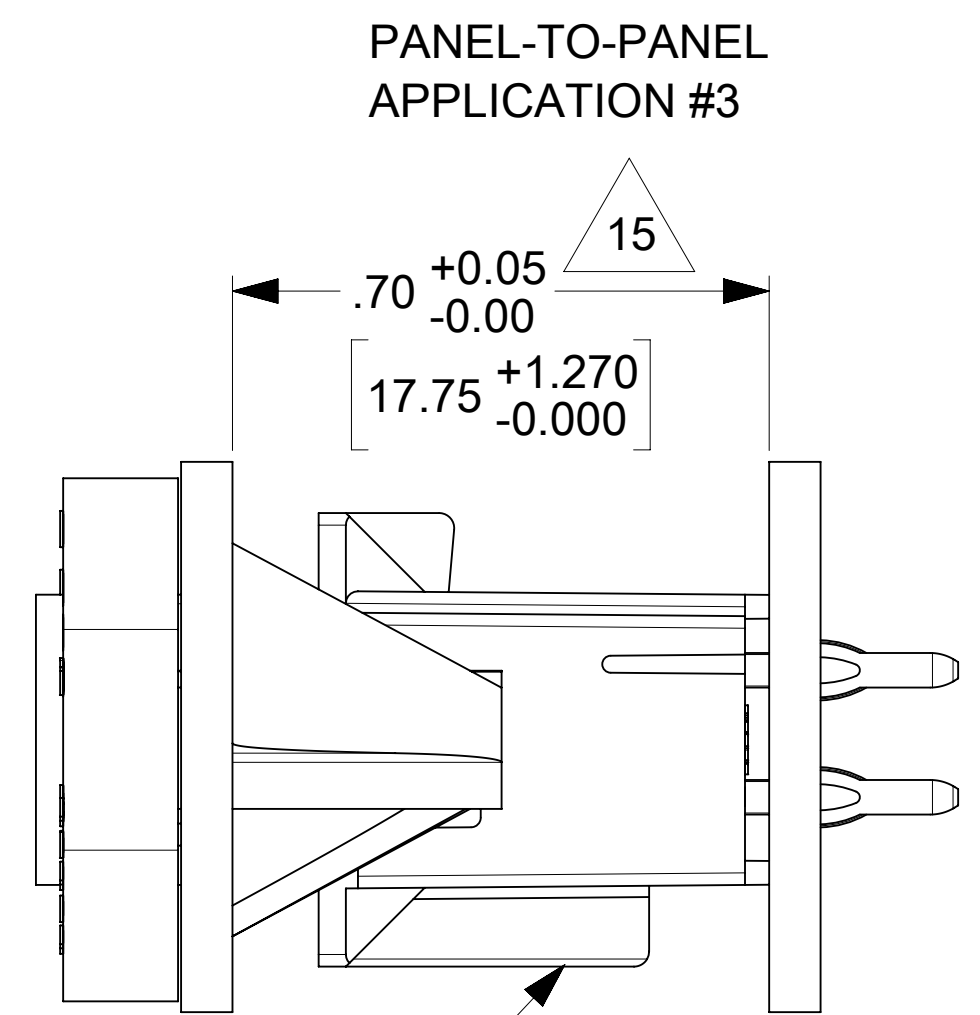
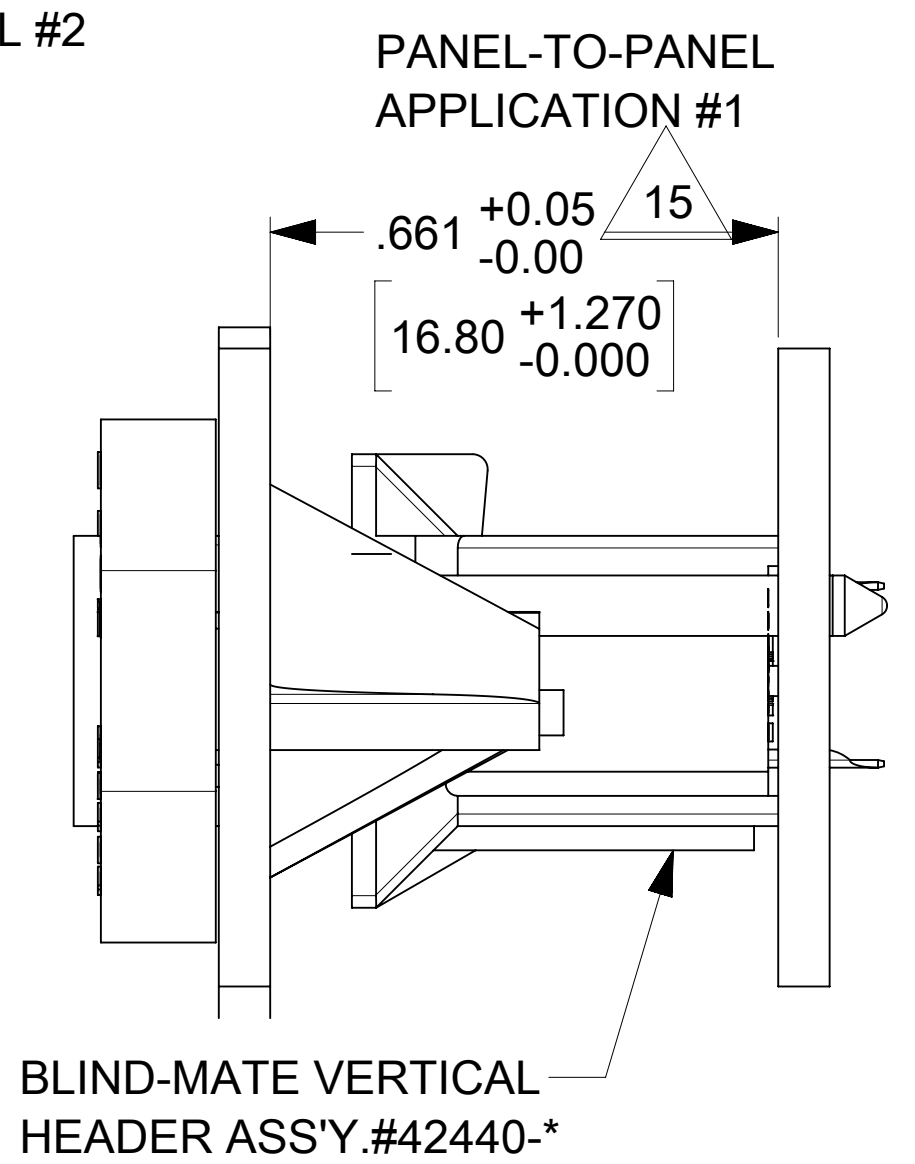
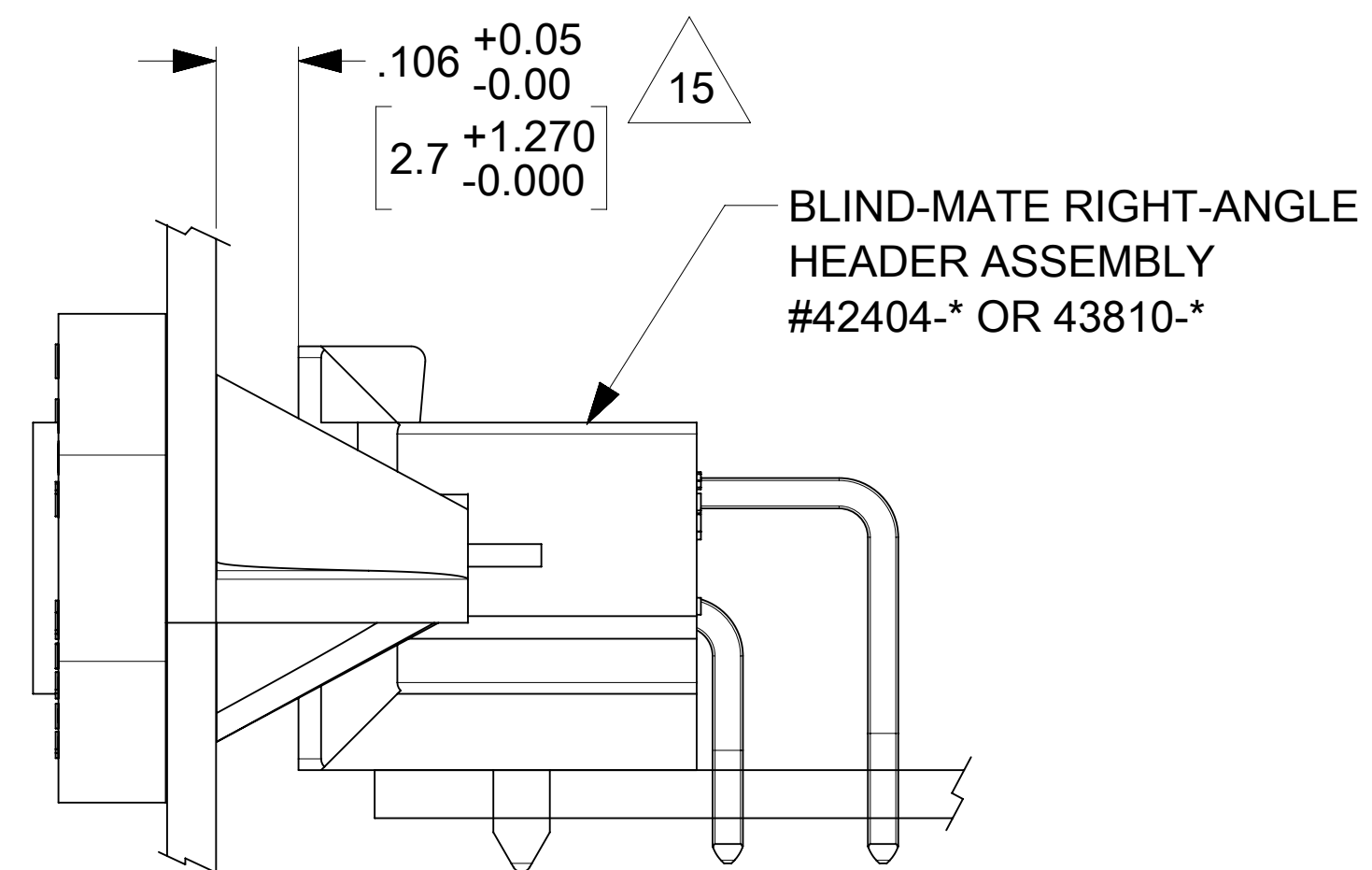
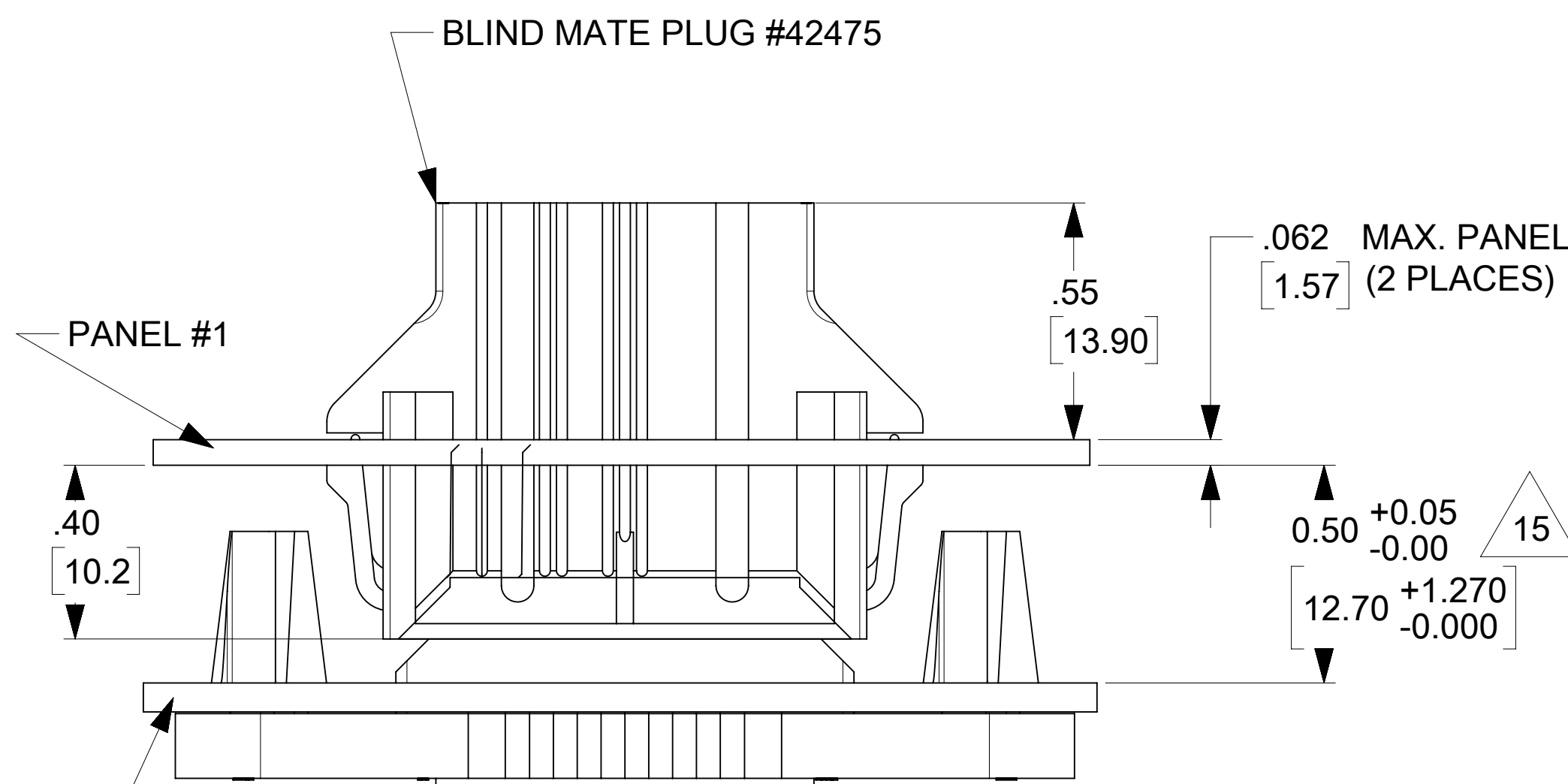
| PART NUMBER | ENG. NUMBER | CKT. SIZE | MATERIAL (SEE NOTE 1) |
|-------------|-------------|-----------|-----------------------|
| NOT TOLLED  | 42474-0221  | 2         | 94V-0                 |
| 15-06-0041  | 42474-0421  | 4         | 94V-0                 |
| 15-06-0061  | 42474-0621  | 6         | 94V-0                 |
| 15-06-0081  | 42474-0821  | 8         | 94V-0                 |
| 15-06-0101  | 42474-1021  | 10        | 94V-0                 |
| NOT TOLLED  | 42474-1221  | 12        | 94V-0                 |
| 15-06-0141  | 42474-1421  | 14        | 94V-0                 |
| NOT TOLLED  | 42474-1621  | 16        | 94V-0                 |
| 15-06-0181  | 42474-1821  | 18        | 94V-0                 |
| NOT TOLLED  | 42774-2021  | 20        | 94V-0                 |
| NOT TOLLED  | 42474-2221  | 22        | 94V-0                 |
| 15-06-0241  | 42474-2421  | 24        | 94V-0                 |

| ITEM NUMBER | CKT. SIZE | MATERIAL (SEE NOTE 1) |
|-------------|-----------|-----------------------|
| NOT TOLLED  | 2         | 94V-2                 |
| 42474-0431  | 4         | 94V-2                 |
| 42474-0631  | 6         | 94V-2                 |
| 42474-0831  | 8         | 94V-2                 |
| 42474-1031  | 10        | 94V-2                 |
| NOT TOLLED  | 12        | 94V-2                 |
| 42474-1431  | 14        | 94V-2                 |
| NOT TOLLED  | 16        | 94V-2                 |
| 42474-1831  | 18        | 94V-2                 |
| NOT TOLLED  | 20        | 94V-2                 |
| NOT TOLLED  | 22        | 94V-2                 |
| 42474-2431  | 24        | 94V-2                 |

| ITEM NUMBER | CKT. SIZE | MATERIAL (SEE NOTE 1) |
|-------------|-----------|-----------------------|
| NOT TOLLED  | 2         | 94V-0                 |
| 42474-0441  | 4         | 94V-0                 |
| 42474-0641  | 6         | 94V-0                 |
| 42474-0841  | 8         | 94V-0                 |
| 42474-1041  | 10        | 94V-0                 |
| NOT TOLLED  | 12        | 94V-0                 |
| 42474-1441  | 14        | 94V-0                 |
| NOT TOLLED  | 16        | 94V-0                 |
| 42474-1841  | 18        | 94V-0                 |
| NOT TOLLED  | 20        | 94V-0                 |
| NOT TOLLED  | 22        | 94V-0                 |
| 42474-2441  | 24        | 94V-0                 |

| ITEM NUMBER | CKT. SIZE | MATERIAL (SEE NOTE 1) GLOW WIRE |
|-------------|-----------|---------------------------------|
| NOT TOLLED  | 2         | 94V-0,GLOW WIRE                 |
| NOT TOLLED  | 4         | 94V-0,GLOW WIRE                 |
| NOT TOLLED  | 6         | 94V-0,GLOW WIRE                 |
| NOT TOLLED  | 8         | 94V-0,GLOW WIRE                 |
| NOT TOLLED  | 10        | 94V-0,GLOW WIRE                 |
| NOT TOLLED  | 12        | 94V-0,GLOW WIRE                 |
| NOT TOLLED  | 14        | 94V-0,GLOW WIRE                 |
| NOT TOLLED  | 16        | 94V-0,GLOW WIRE                 |
| NOT TOLLED  | 18        | 94V-0,GLOW WIRE                 |
| NOT TOLLED  | 20        | 94V-0,GLOW WIRE                 |
| NOT TOLLED  | 22        | 94V-0,GLOW WIRE                 |
| NOT TOLLED  | 24        | 94V-0,GLOW WIRE                 |

P13



ALIGNMENT TOLERANCES FOR .050/1.27 MAX. BOARD-TO-PANEL MISALIGNMENT (+/- .050/1.27 RECEPTACLE FLOAT)

|  |   |                                   |            |                           |                   |               |  |                              |  |                          |  |
|--|---|-----------------------------------|------------|---------------------------|-------------------|---------------|--|------------------------------|--|--------------------------|--|
| FUNCTIONAL SYMBOLS<br>FA = 0<br>FC = 0<br>FP = 0<br>DIVISIONAL SYMBOLS | THIS DRAWING CONTAINS INFORMATION THAT IS PROPRIETARY TO MOLEX ELECTRONIC TECHNOLOGIES, LLC AND SHOULD NOT BE USED WITHOUT WRITTEN PERMISSION |                                   |            |                           |                   |               |  |                              |  |                          |  |
|  | DIMENSION UNITS: mm   |                                   | SCALE: 1:1 |                           | CURRENT REV DESC: |               |  |                              |  |                          |  |
|  | GENERAL TOLERANCES (UNLESS SPECIFIED)   |                                   |            |                           |                   |               |  |                              |  |                          |  |
|  | 4 PLACES ±  |                                   | ±          |                           | EC NO: 688090     |               |  |                              |  |                          |  |
| 3 PLACES ±   |   | ± 0.015                           |            | DRWN: HPAN18 2021/12/08   |                   |               |  |                              |  |                          |  |
| 2 PLACES ±   |   | 0.38 ±                            |            | CHK'D: XQZHANG 2021/12/28 |                   |               |  |                              |  |                          |  |
| 1 PLACE ±  |   | ±                                 |            | APPR: XQZHANG 2021/12/28  |                   |               |  |                              |  |                          |  |
| 0 PLACES ±   |   | ±                                 |            | INITIAL REVISION:         |                   |               |  |                              |  |                          |  |
| ANGULAR TOL ± 0.5°   |   | ±                                 |            | DRWN: GEP 1989/08/24      |                   |               |  |                              |  |                          |  |
| DRAFT WHERE APPLICABLE MUST REMAIN WITHIN DIMENSIONS                   |   | THIRD ANGLE PROJECTION            |            | DRAWING: D-SIZE           |                   | SERIES: 42474 |  | MATERIAL NUMBER: SEE SHEET 2 |  | CUSTOMER: GENERAL MARKET |  |
| DOCUMENT STATUS: P1  |   | RELEASE DATE: 2021/12/28 01:32:51 |            | SD-42474-XXXX             |                   | PSD 001 P14   |  | SHEET NUMBER: 2 OF 2         |  |                          |  |