

NOTES1:

- UL Standard
- 1. Rated voltage/current : 300V / 30A
- 2. Withstanding voltage : AC1600V/1Min.
- 3. Torque value : M3 , 4.43Lb.in
- 4. Wire range : 30~10AWG

IEC Standard

1. Pollution degree	2	2	3
Overvoltage category	II	III	III
Rate impulse voltage(kV)	6kV	6kV	6kV
Rate voltage(V)	1000V	630V	500V
Rate current(A)		32A	

- 2. Torque value : M3 , 0.5N·m
- 3. Wire range : 0.2~4.0mm<sup>2</sup>/6mm<sup>2</sup>(sol)

NOTES2:

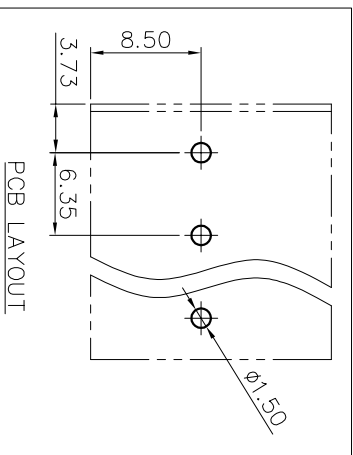
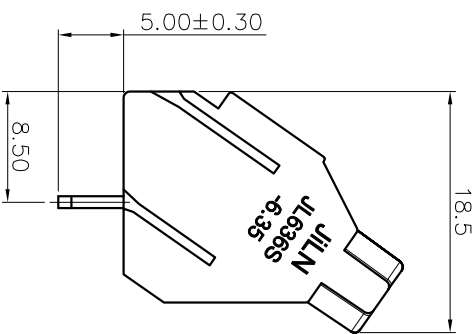
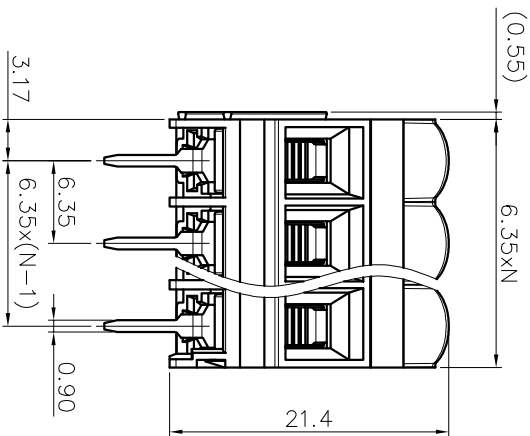
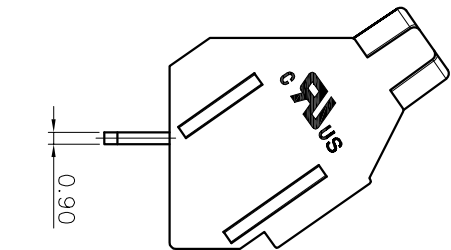
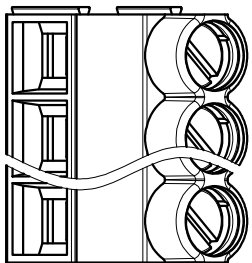
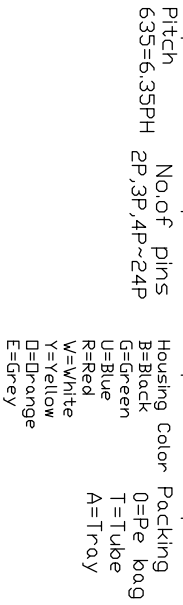
- 1. Dimension shall be interpreted per ASME Y14.5-2009
- 2. Pitch : 6.35mm, Poles : N=02~24P
- 3. Stripping length : 8~9mm
- 4. Operating temperature: -40°C~+105°C
- 5. Undimensioned tolerances:

Pitch range in mm		Nominal dimension range in mm				Tolerance	
Over	6	Over	30	Over	100	Over	0.1/10
TO	10	TO	60	TO	100	TO	150
6	10	24	30	60	100	150	<
±0.15±0.20		±0.30±0.30		±0.50±0.70		±1.00±1.30	
						±2'	

6. RoHS Compliance

# Ordering Information

**JL636S - 635 XX G 0 1**



REVISION RECORD			
REV	ECN	DESCRIPTION	DRFT DATE
A		新发行	Z.S.P 22.6.24

DRAW	SHUANGPING ZHENG	SCALE	FIT	<p><b>JIN</b> 东莞市锦凌电子有限公司 DONGGUAN JINLING ELECTRONIC CO., LTD</p>	
CHECK	LICHAD LIU	UNIT	mm		
APPROVE	YONGLIANG GAO	SIZE	A4		
		SHEET	1/1	PART NO.	JL636S-635XXG01
		PRD		TITLE:	JL636S-6.35-XXP螺钉式端子台/绿色