

11MHZ CMOS Rail-to-Rail IO Opamps

General Description

The HX72X have a high gain-bandwidth product of 11 MHz, a slew rate of 9V/ μ s, and a quiescent current of 1.1mA per amplifier at 5V. The HX721N has a power-down disable feature that reduces the supply current to 90nA. The HX72X are designed to provide optimal performance in low voltage and low noise systems. They provide rail-to-rail output swing into heavy loads. The input common mode voltage range includes ground, and the maximum input offset voltage is 3.5mV for HX72X. They are specified over the extended industrial temperature range (-40°C to +125°C). The operating range is from 2.1V to 5.5V. The HX721 single is available in Green SC70-5, SOT23-5, SOP-8 and MSOP-8 packages. The HX722 dual is available in Green SOP-8 and MSOP-8 packages. The HX724 Quad is available in Green SOP-14 and TSSOP-14 packages. The HX721N single with shutdown is available in Green SOT23-6 and SC70-6 packages.

Features

- Single-Supply Operation from +2.1V ~ +5.5V
- Rail-to-Rail Input / Output
- Gain-Bandwidth Product: 11MHz (Typ.)
- Low Input Bias Current: 1pA (Typ.)
- Low Offset Voltage: 3.5mV (Max.)
- High Slew Rate: 9V/ μ s
- Settling Time to 0.1% with 2V Step: 0.3 μ s
- Low Noise : 8nV/ Hz @10kHz
- Quiescent Current: 1.1mA per Amplifier (Typ.)
- Operating Temperature: -40°C ~ +125°C
- Small Package:
- HX721 Available in SOT23-5 , SC70-5 , SOP-8and MSOP-8Packages
- HX722 Available in SOP-8 and MSOP-8 Packages
- HX724 Available in SOP-14 and TSSOP-14 Packages
- HX721N Available in SOT23-6 and SC70-6 Packages

Applications

- Sensors
- Active Filters
- Cellular and Cordless Phones
- Laptops and PDAs
- Audio
- Handheld Test Equipment
- Battery-Powered Instrumentation
- A/D Converters

Ordering Information

| DEVICE | Package Type | MARKING | Packing | Packing Qty |
|--------------|--------------|---------|---------|--------------|
| HX721IDBVRG | SOT23-5 | V721 | REEL | 3000pcs/reel |
| HX721IDCKRG | SC70-5 | V721 | REEL | 3000pcs/reel |
| HX721IDRG | SOP-8 | HX721 | REEL | 2500pcs/reel |
| HX721IDGKRG | MSOP8 | V721 | REEL | 3000pcs/reel |
| HX721INDBVRG | SOT23-6 | V721N | REEL | 3000pcs/reel |
| HX721INDCKRG | SC70-6 | V721N | REEL | 3000pcs/reel |
| HX722IDRG | SOP8 | HX722 | REEL | 2500pcs/reel |
| HX722IDGKRG | MSOP8 | HX722 | REEL | 3000pcs/reel |
| HX724IDRG | SOP14 | HX724 | REEL | 2500pcs/reel |
| HX724IPWRG | TSSOP14 | HX724 | REEL | 2500pcs/reel |

Pin Configuration

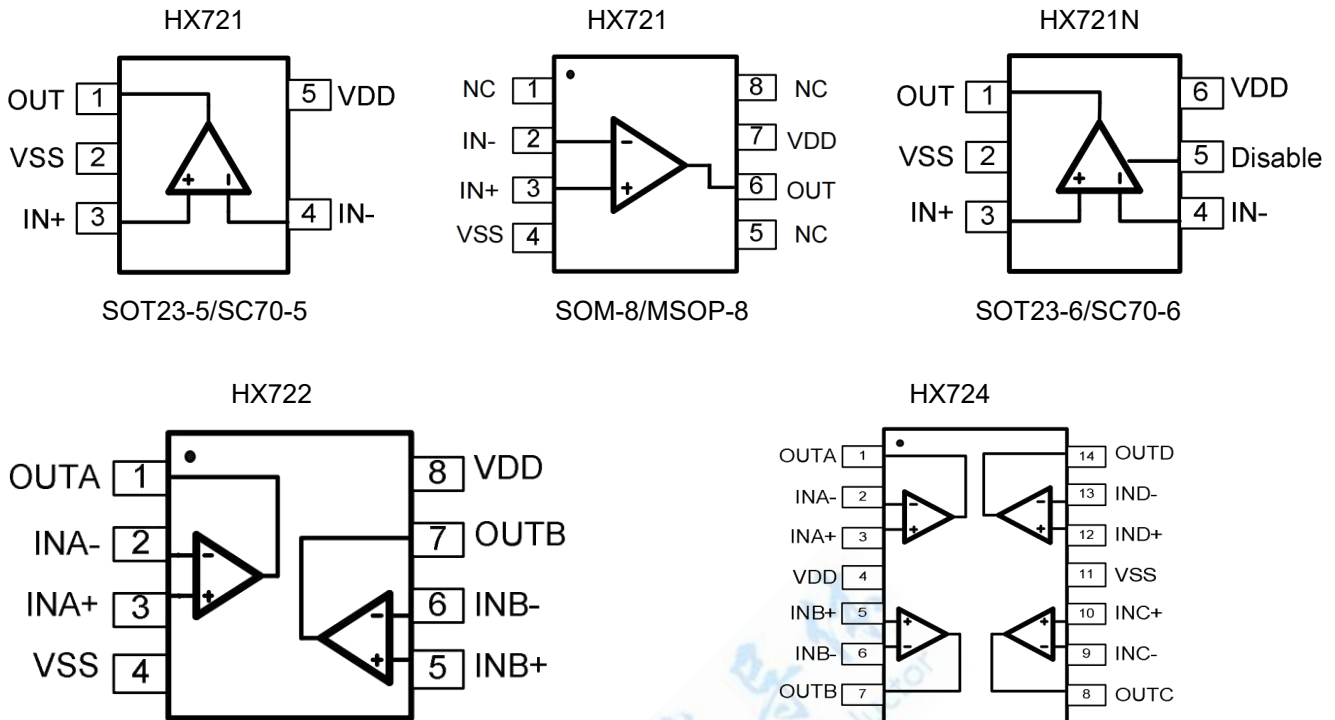


Figure 1. Pin Assignment Diagram

Absolute Maximum Ratings

| Condition | Min | Max |
|--|----------|----------|
| Power Supply Voltage (VDD to Vss) | -0.5V | +7.5V |
| Analog Input Voltage (IN+ or IN-) | Vss-0.5V | VDD+0.5V |
| PDB Input Voltage | Vss-0.5V | +7V |
| Operating Temperature Range | -40°C | +125°C |
| Junction Temperature | - | +160°C |
| Storage Temperature Range | -55°C | +150°C |
| Lead Temperature (soldering, 10sec) | - | +260°C |
| Package Thermal Resistance (TA=+25°C) | | |
| SOP-8, θ_{JA} | - | 125°C/W |
| MSOP-8, θ_{JA} | - | 216°C/W |
| SOT23-5, θ_{JA} | - | 190°C/W |
| SOT23-6, θ_{JA} | - | 190°C/W |
| SC70-5, θ_{JA} | - | 333°C/W |
| ESD Susceptibility | | |
| HBM | - | 8KV |
| MM | - | 400V |

Note: Stress greater than those listed under Absolute Maximum Ratings may cause permanent damage to the device. This is a stress rating only and functional operation of the device at these or any other conditions outside those indicated in the operational sections of this specification are not implied. Exposure to absolute maximum rating conditions for extended periods may affect reliability.

Electrical Characteristics

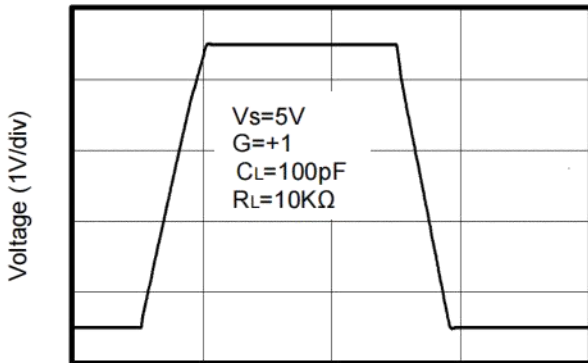
(At $V_S=5V$, $T_A = +25^\circ C$, $V_{CM} = V_S/2$, $R_L = 600\Omega$, unless otherwise noted.)

| PARAMETER | CONDITIONS | HX721/2/4/1N | | | | | | | |
|---|---|--------------|--------------------------|-------------|---------------|----------------|------------------|-------|-----------|
| | | TYP | MIN/MAX OVER TEMPERATURE | | | | | UNITS | MIN / MAX |
| | | +25°C | +25°C | 0°C to 70°C | -40°C to 85°C | -40°C to 125°C | | | |
| INPUT CHARACTERISTICS | | | | | | | | | |
| Input Offset Voltage (VOS) | $V_S = 5.5V$ | 0.8 | 3.5 | 3.9 | 4.3 | 4.6 | mV | MAX | |
| Input Bias Current (IB) | | 1 | | | | | pA | TYP | |
| Input Offset Current (IOS) | | 1 | | | | | pA | TYP | |
| Input Common Mode Voltage Range (VCM) | | -0.1 to +5.6 | | | | | V | TYP | |
| Common Mode Rejection Ratio (CMRR) | $V_S = 5.5V$, $V_{CM} = -0.1V$ to 4V | 82 | 65 | 64 | 64 | 63 | dB | MIN | |
| Open-Loop Voltage Gain (AOL) | $V_S = 5.5V$, $V_{CM} = -0.1V$ to 5.6V | 75 | | | | | dB | MIN | |
| | $R_L = 600\Omega$, $V_O = 0.15V$ to 4.85V | 90 | 80 | 76 | 75 | 68 | dB | MIN | |
| Input Offset Voltage Drift ($\Delta V_{OS}/\Delta T$) | $R_L = 10k\Omega$, $V_O = 0.05V$ to 4.95V | 108 | | | | | dB | MIN | |
| | | 2.4 | | | | | $\mu V/^\circ C$ | TYP | |
| OUTPUT CHARACTERISTICS | | | | | | | | | |
| Output Voltage Swing from Rail | $R_L = 600\Omega$ | 0.1 | | | | | V | TYP | |
| | $R_L = 10k\Omega$ | 0.015 | | | | | V | TYP | |
| Output Current (IOUT) | | 70 | 55 | 45 | 42 | 38 | mA | MIN | |
| Closed-Loop Output Impedance | $f = 100kHz$, $G = 1$ | 7.5 | | | | | Ω | TYP | |
| POWER-DOWN DISABLE | | | | | | | | | |
| Turn-On Time | | 1.1 | | | | | μs | TYP | |
| Turn-Off Time | | 0.3 | | | | | μs | TYP | |
| DISABLE Voltage-Off | | | 0.8 | | | | V | MAX | |
| DISABLE Voltage-On | | | 2 | | | | V | MIN | |
| POWER SUPPLY | | | | | | | | | |
| Operating Voltage Range | | | 2.1 | 2.1 | 2.1 | 2.1 | V | MIN | |
| | | | 5.5 | 5.5 | 5.5 | 5.5 | V | MAX | |
| Power Supply Rejection Ratio (PSRR) | $V_S = +2.5V$ to +5.5V | 91 | 74 | 72 | 72 | 68 | dB | MIN | |
| Quiescent Current/Amplifier (IQ) | $V_{CM} = (-V_S) + 0.5V$ | 1.1 | 1.5 | 1.65 | 1.7 | 1.85 | Ma | MAX | |
| Supply Current when Disabled (HX721N Only) | $I_{OUT} = 0$ | 90 | | | | | nA | MAX | |
| DYNAMIC PERFORMANCE | | | | | | | | | |
| Gain-Bandwidth Product (GBP) | $R_L = 10k\Omega$, $C_L = 100pF$ | 11 | | | | | MHz | TYP | |
| Phase Margin (ϕ_O) | $R_L = 10k\Omega$, $C_L = 100pF$ | 51 | | | | | Degrees | TYP | |
| Full Power Bandwidth (BWP) | < 1% distortion, $R_L = 600\Omega$ | 400 | | | | | kHz | TYP | |
| Slew Rate (SR) | $G = +1$, 2V Step, $R_L = 10k\Omega$ | 9 | | | | | V/ μs | TYP | |
| Settling Time to 0.1% (tS) | $G = +1$, 2V Step, $R_L = 600\Omega$ | 0.3 | | | | | μs | TYP | |
| Overload Recovery Time | $V_{IN} \cdot Gain = V_S$, $R_L = 600\Omega$ | 1.5 | | | | | μs | TYP | |
| NOISE PERFORMANCE | | | | | | | | | |
| Voltage Noise Density (e_n) | $f = 1kHz$ | 11.5 | | | | | nV /Hz | TYP | |
| | $f = 10kHz$ | 8 | | | | | nV /Hz | TYP | |

Typical Performance characteristics

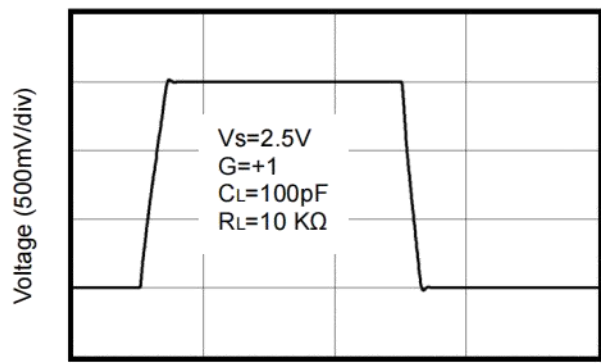
(At $V_s=5V$, $T_A=+25^\circ C$, $V_{CM}=V_s/2$, $R_L=600\Omega$, unless otherwise noted.)

Large-Signal Step Response



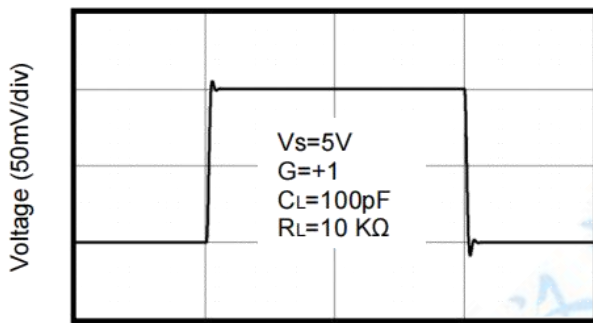
Time (1 μ s/div)

Large-Signal Step Response



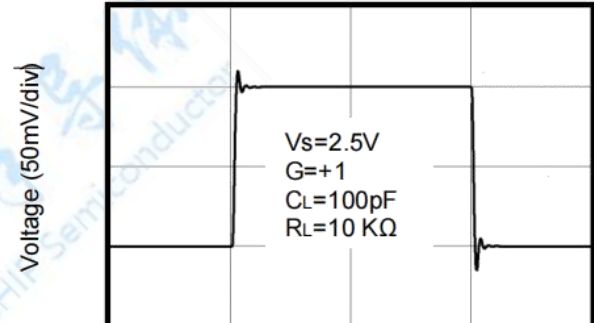
Time (1 μ s/div)

Small-Signal Step Response



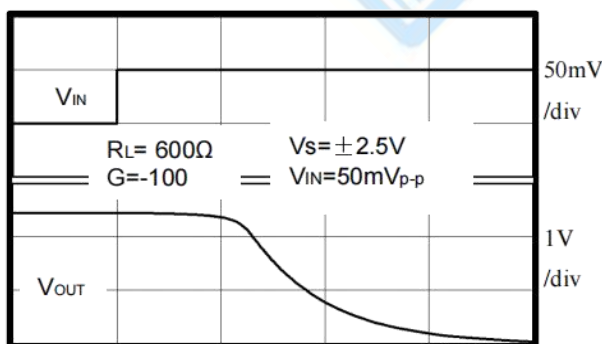
Time (1 μ s/div)

Small-Signal Step Response



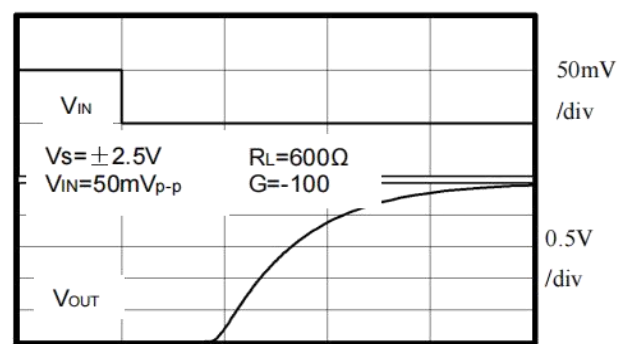
Time (1 μ s/div)

Positive Overload Recovery



Time (2 μ s/div)

Negative Overload Recovery

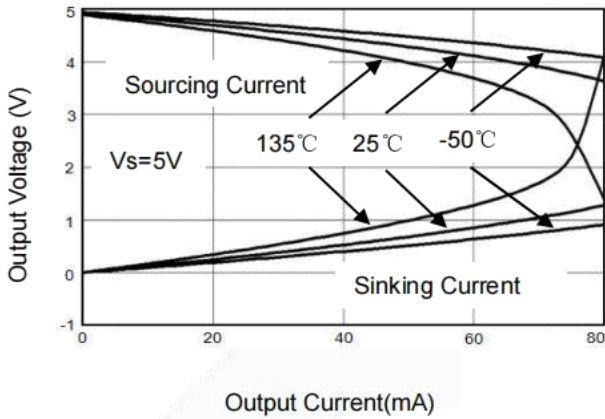


Time (2 μ s/div)

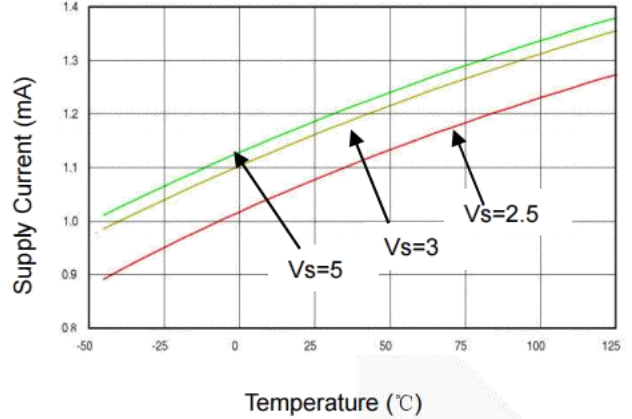
Typical Performance characteristics

(At $V_s=5V$, $T_A = +25^\circ C$, $V_{CM} = V_S/2$, $R_L = 600\Omega$, unless otherwise noted.)

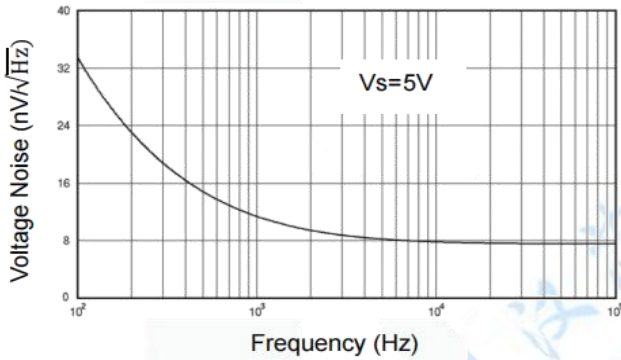
Output Voltage Swing vs. Output Current



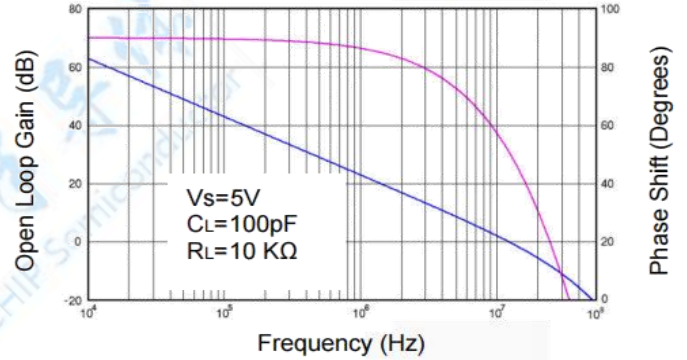
Supply Current vs. Temperature



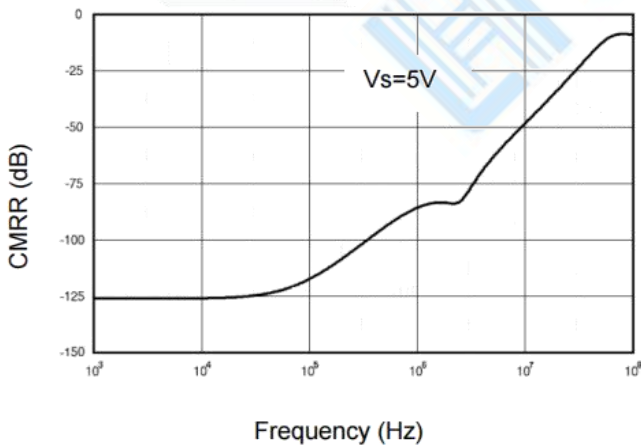
Input Voltage Noise Spectral Density vs. Frequency



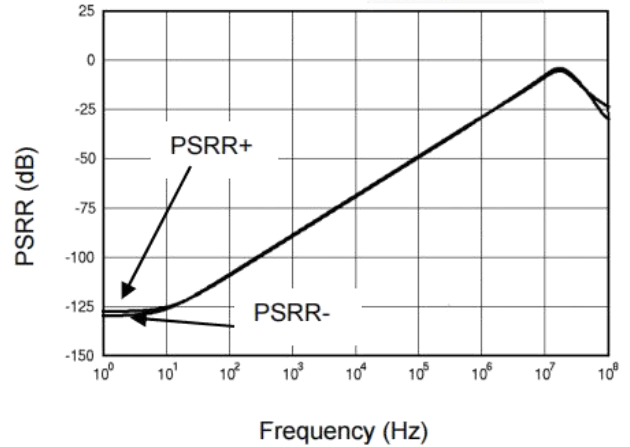
Open Loop Gain, Phase Shift vs. Frequency



CMRR vs. Frequency



PSRR vs. Frequency



Application Note

Size

HX72X series op amps are unity-gain stable and suitable for a wide range of general-purpose applications. The small footprints of the HX72X series packages save space on printed circuit boards and enable the design of smaller electronic products.

Power Supply Bypassing and Board Layout

HX72X series operates from a single 2.1V to 5.5V supply or dual $\pm 1.05\text{V}$ to $\pm 2.75\text{V}$ supplies. For best performance, a $0.1\mu\text{F}$ ceramic capacitor should be placed close to the VDD pin in single supply operation. For dual supply operation, both VDD and VSS supplies should be bypassed to ground with separate $0.1\mu\text{F}$ ceramic capacitors.

Low Supply Current

The low supply current (typical 1.1mA per channel) of HX72X series will help to maximize battery life. They are ideal for battery powered systems.

Operating Voltage

HX72X series operate under wide input supply voltage (2.1V to 5.5V). In addition, all temperature specifications apply from -40°C to $+125^{\circ}\text{C}$. Most behavior remains unchanged throughout the full operating voltage range. These guarantees ensure operation throughout the single Li-Ion battery lifetime.

Rail-to-Rail Input

The input common-mode range of HX72X series extends 100mV beyond the supply rails ($V_{SS}-0.1\text{V}$ to $V_{DD}+0.1\text{V}$). This is achieved by using complementary input stage. For normal operation, inputs should be limited to this range.

Rail-to-Rail Output

Rail-to-Rail output swing provides maximum possible dynamic range at the output. This is particularly important when operating in low supply voltages. The output voltage of HX72X series can typically swing to less than 2mV from supply rail in light resistive loads ($>100\text{k}\Omega$), and 15mV of supply rail in moderate resistive loads ($10\text{k}\Omega$).

Capacitive Load Tolerance

The HX72X family is optimized for bandwidth and speed, not for driving capacitive loads. Output capacitance will create a pole in the amplifier's feedback path, leading to excessive peaking and potential oscillation. If dealing with load capacitance is a requirement of the application, the two strategies to consider are (1) using a small resistor in series with the amplifier's output and the load capacitance and (2) reducing the bandwidth of the amplifier's feedback loop by increasing the overall noise gain.

Figure 2. shows a unity gain follower using the series resistor strategy. The resistor isolates the output from the capacitance and, more importantly, creates a zero in the feedback path that compensates for the pole created by the output capacitance.

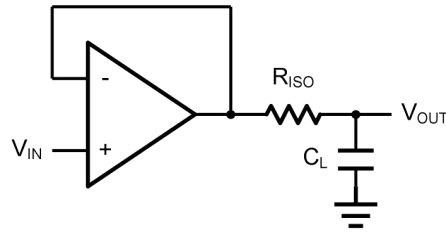


Figure 2. Indirectly Driving a Capacitive Load Using Isolation Resistor

The bigger the R_{ISO} resistor value, the more stable V_{OUT} will be. However, if there is a resistive load R_L in parallel with the capacitive load, a voltage divider (proportional to R_{ISO}/R_L) is formed, this will result in a gain error.

The circuit in Figure 3 is an improvement to the one in Figure 2. R_F provides the DC accuracy by feed-forward the V_{IN} to R_L . C_F and R_{ISO} serve to counteract the loss of phase margin by feeding the high frequency component of the output signal back to the amplifier's inverting input, thereby preserving the phase margin in the overall feedback loop. Capacitive drive can be increased by increasing the value of C_F . This in turn will slow down the pulse response.

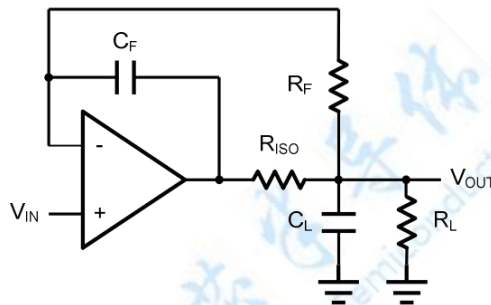


Figure 3. Indirectly Driving a Capacitive Load with DC Accuracy

Typical Application Circuits

Differential amplifier

The differential amplifier allows the subtraction of two input voltages or cancellation of a signal common to the two inputs. It is useful as a computational amplifier in making a differential to single-end conversion or in rejecting a common mode signal.

Figure 4. shows the differential amplifier using HX72X.

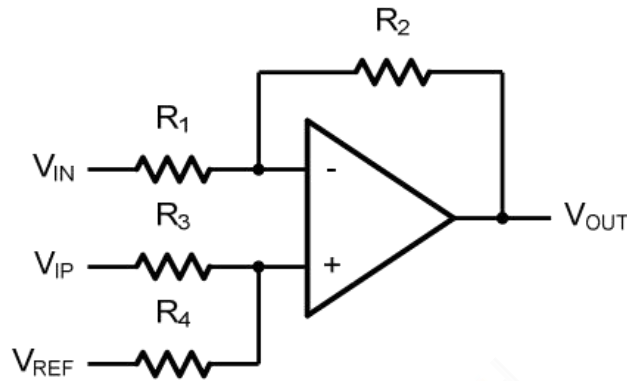


Figure 4. Differential Amplifier

$$V_{OUT} = \left(\frac{R_1 + R_2}{R_3 + R_4} \right) \frac{R_4}{R_1} V_{IN} - \frac{R_2}{R_1} V_{IP} + \left(\frac{R_1 + R_2}{R_3 + R_4} \right) \frac{R_3}{R_1} V_{REF}$$

If the resistor ratios are equal (i.e. $R_1=R_3$ and $R_2=R_4$), then

$$V_{OUT} = \frac{R_2}{R_1} (V_{IP} - V_{IN}) + V_{REF}$$

Low Pass Active Filter

The low pass active filter is shown in Figure 5. The DC gain is defined by $-R_2/R_1$. The filter has a -20dB/decade roll-off after its corner frequency $f_C=1/(2\pi R_3 C_1)$.

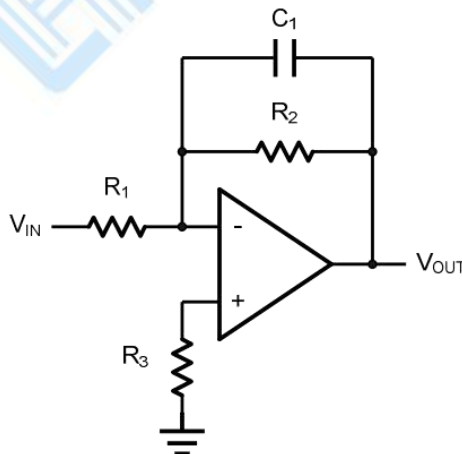


Figure 5. Low Pass Active Filter

Instrumentation Amplifier

The triple HX72X can be used to build a three-op-amp instrumentation amplifier as shown in Figure 6. The amplifier in Figure 6 is a high input impedance differential amplifier with gain of R_2/R_1 . The two differential voltage followers assure the high input impedance of the amplifier.

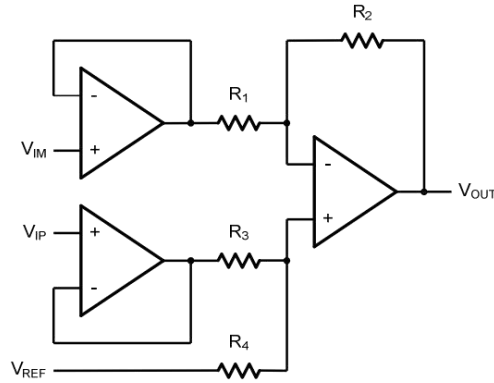
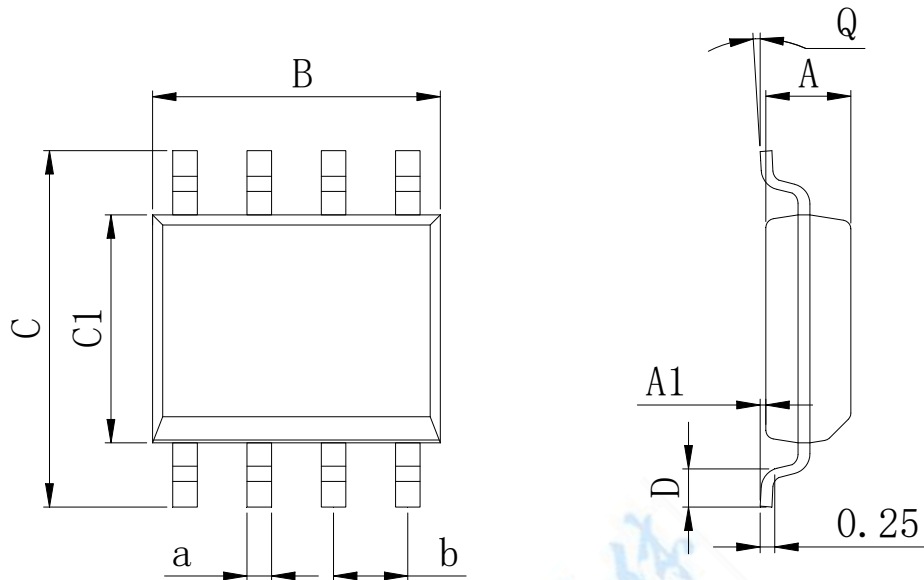


Figure 6. Instrument Amplifier



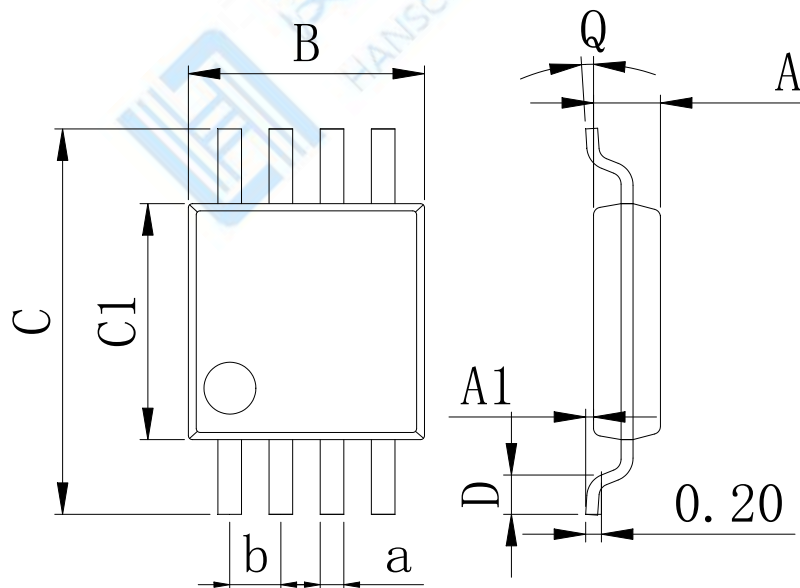
Physical Dimensions

SOP-8L 150mil


Dimensions In Millimeters(SOP8L)

| Symbol: | A | A1 | B | C | C1 | D | Q | a | b |
|---------|------|------|------|------|------|------|----|------|----------|
| Min: | 1.35 | 0.05 | 4.90 | 5.80 | 3.80 | 0.40 | 0° | 0.35 | 1.27 BSC |
| Max: | 1.55 | 0.20 | 5.10 | 6.20 | 4.00 | 0.80 | 8° | 0.45 | |

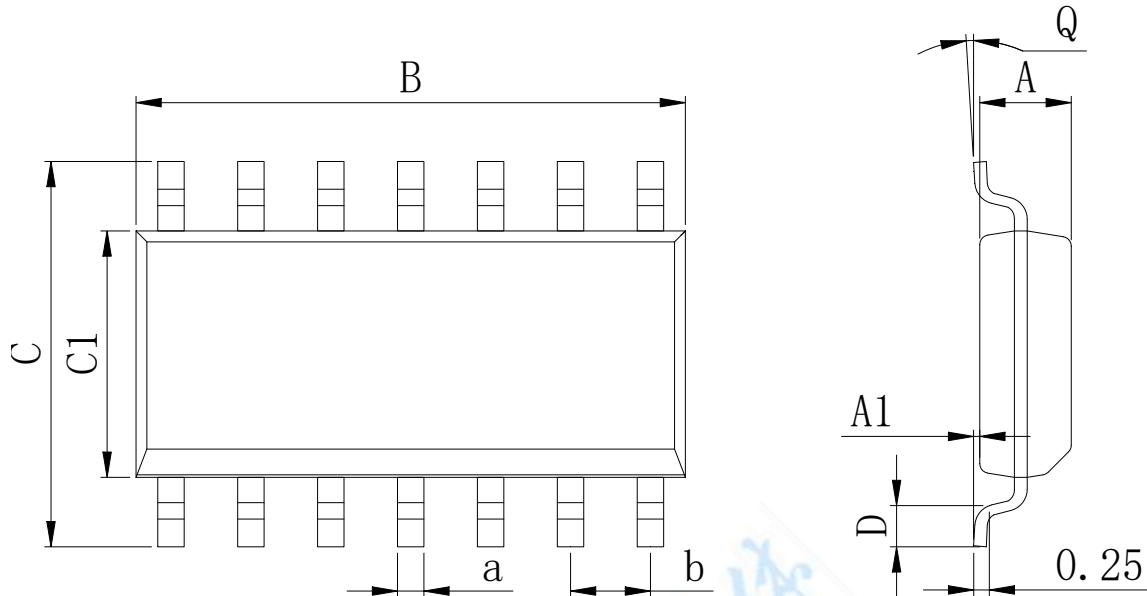
MSOP8


Dimensions In Millimeters(MSOP8L)

| Symbol: | A | A1 | B | C | C1 | D | Q | a | b |
|---------|------|------|------|------|------|------|----|------|----------|
| Min: | 0.80 | 0.05 | 2.90 | 4.75 | 2.90 | 0.35 | 0° | 0.25 | 0.65 BSC |
| Max: | 0.90 | 0.20 | 3.10 | 5.05 | 3.10 | 0.75 | 8° | 0.35 | |

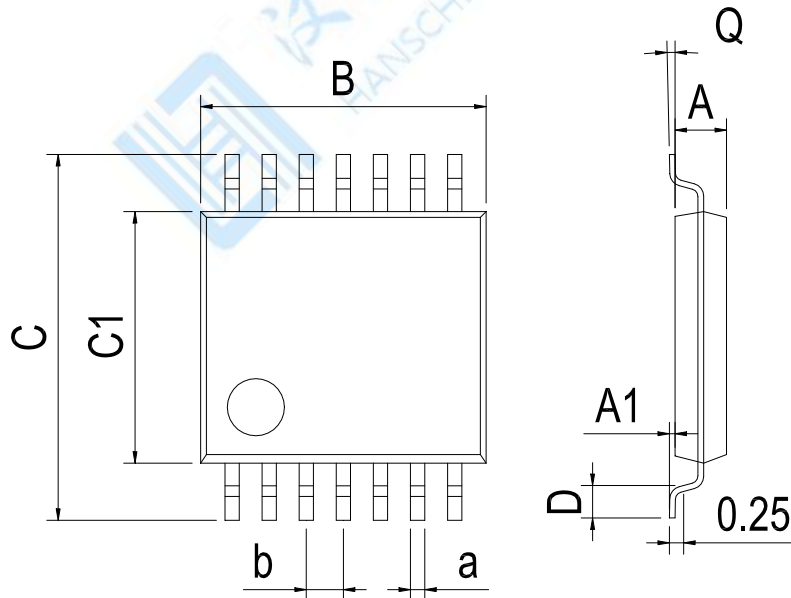
Physical Dimensions

SOP14L



| Dimensions In Millimeters(SOP14L) | | | | | | | | | |
|-----------------------------------|------|------|------|------|------|------|----|------|----------|
| Symbol: | A | A1 | B | C | C1 | D | Q | a | b |
| Min: | 1.35 | 0.05 | 8.55 | 5.80 | 3.80 | 0.40 | 0° | 0.35 | 1.27 BSC |
| Max: | 1.55 | 0.20 | 8.75 | 6.20 | 4.00 | 0.80 | 8° | 0.45 | |

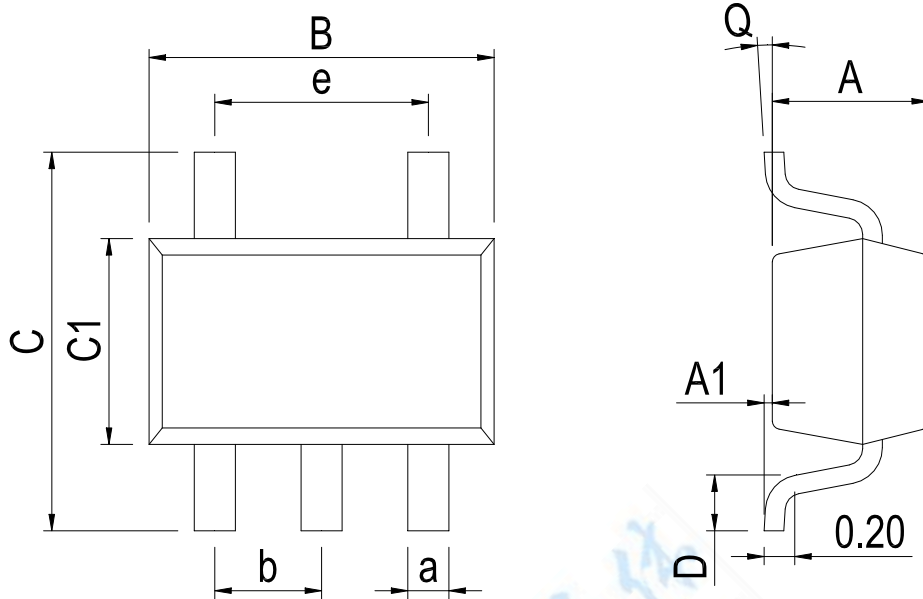
TSSOP-14L



| Dimensions In Millimeters(TSSOP14L) | | | | | | | | | |
|-------------------------------------|------|------|------|------|------|------|----|------|----------|
| Symbol: | A | A1 | B | C | C1 | D | Q | a | b |
| Min: | 0.85 | 0.05 | 4.90 | 6.20 | 4.30 | 0.40 | 0° | 0.20 | 0.65 BSC |
| Max: | 0.95 | 0.20 | 5.10 | 6.60 | 4.50 | 0.80 | 8° | 0.25 | |

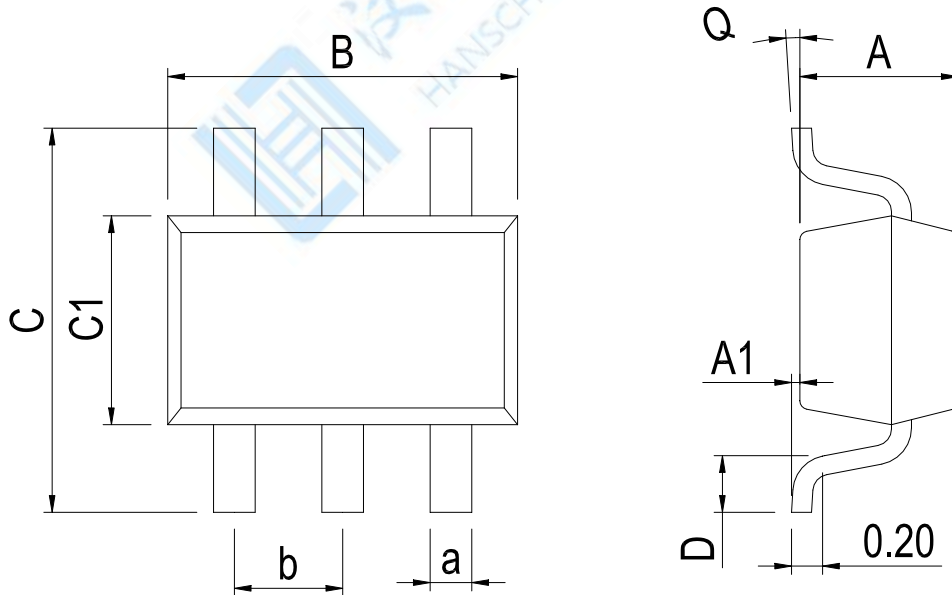
Physical Dimensions

SOT23-5

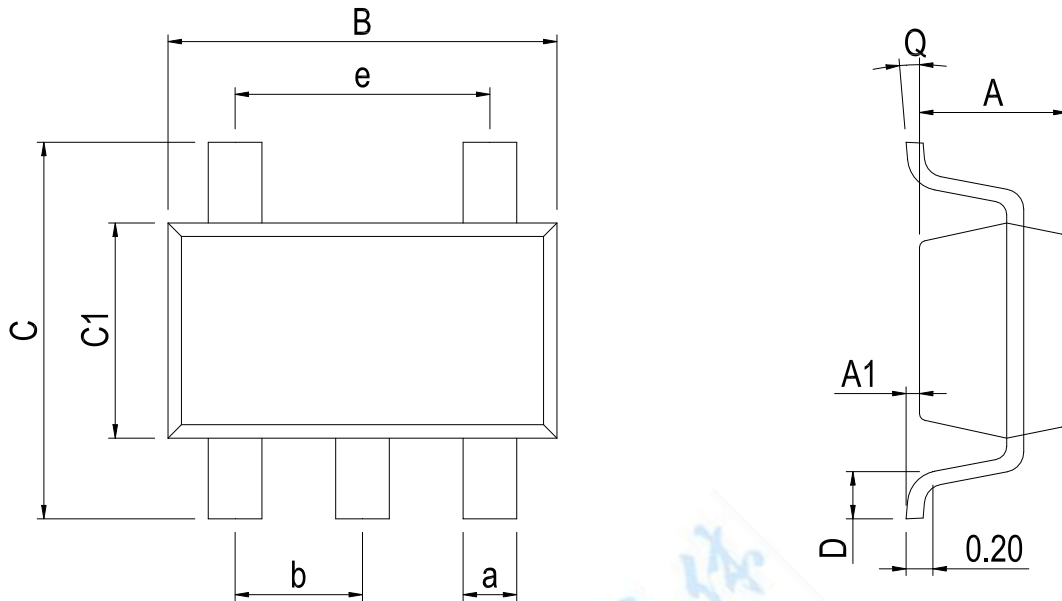

Dimensions In Millimeters(SOT23-5)

| Symbol: | A | A1 | B | C | C1 | D | Q | a | b | e |
|---------|------|------|------|------|------|------|----|------|----------|----------|
| Min: | 1.05 | 0.00 | 2.82 | 2.65 | 1.50 | 0.30 | 0° | 0.30 | 0.95 BSC | 1.90 BSC |
| Max: | 1.15 | 0.15 | 3.02 | 2.95 | 1.70 | 0.60 | 8° | 0.40 | | |

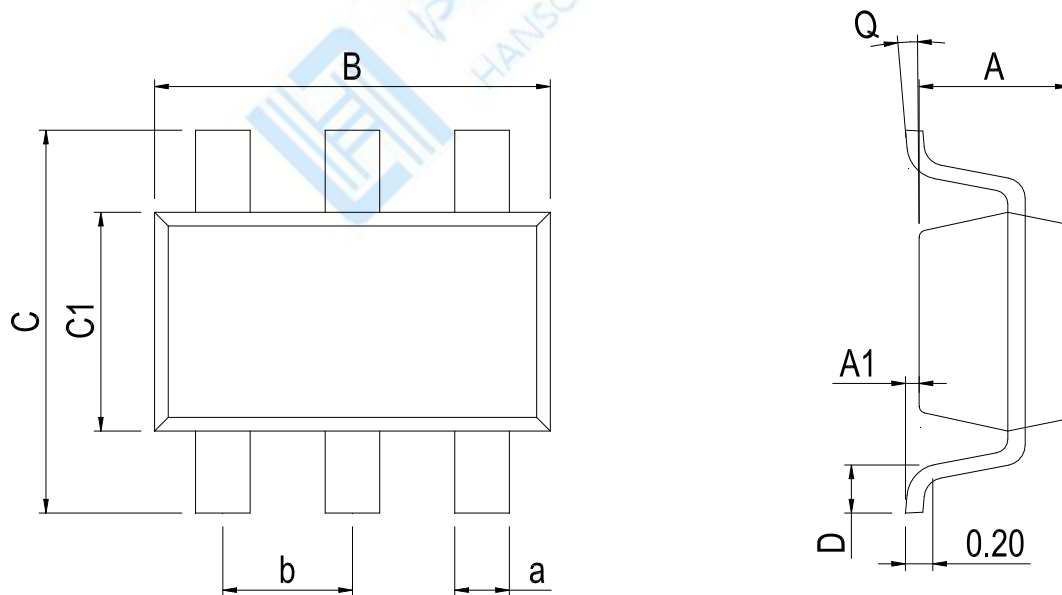
SOT23-6


Dimensions In Millimeters(SOT23-6)

| Symbol: | A | A1 | B | C | C1 | D | Q | a | b |
|---------|------|------|------|------|------|------|----|------|----------|
| Min: | 1.05 | 0.00 | 2.82 | 2.65 | 1.50 | 0.30 | 0° | 0.30 | 0.95 BSC |
| Max: | 1.15 | 0.15 | 3.02 | 2.95 | 1.70 | 0.60 | 8° | 0.40 | |

Physical Dimensions
SC70-5

Dimensions In Millimeters(SC70-5)

| Symbol: | A | A1 | B | C | C1 | D | Q | a | b | e |
|---------|------|------|------|------|------|------|----|------|------|----------|
| Min: | 0.90 | 0.00 | 2.00 | 2.15 | 1.15 | 0.26 | 0° | 0.30 | 0.65 | 1.30 BSC |
| Max: | 1.00 | 0.15 | 2.20 | 2.45 | 1.35 | 0.46 | 8° | 0.40 | BSC | |

SC70-6

Dimensions In Millimeters(SC70-6)

| Symbol: | A | A1 | B | C | C1 | D | Q | a | b |
|---------|------|------|------|------|------|------|----|------|----------|
| Min: | 0.90 | 0.00 | 2.00 | 2.15 | 1.15 | 0.26 | 0° | 0.30 | 0.65 BSC |
| Max: | 1.00 | 0.15 | 2.20 | 2.45 | 1.35 | 0.46 | 8° | 0.40 | |

IMPORTANT STATEMENT:

Shenzhen Hanschip semiconductor co.,ltd. reserves the right to change the products and services provided without notice. Customers should obtain the latest relevant information before ordering, and verify the timeliness and accuracy of this information.

Customers are responsible for complying with safety standards and taking safety measures when using our products for system design and machine manufacturing to avoid potential risks that may result in personal injury or property damage.

Our products are not licensed for applications in life support, military, aerospace, etc., so we do not bear the consequences of the application of these products in these fields.

Our documentation is only permitted to be copied without any tampering with the content, so we do not accept any responsibility or liability for the altered documents.

