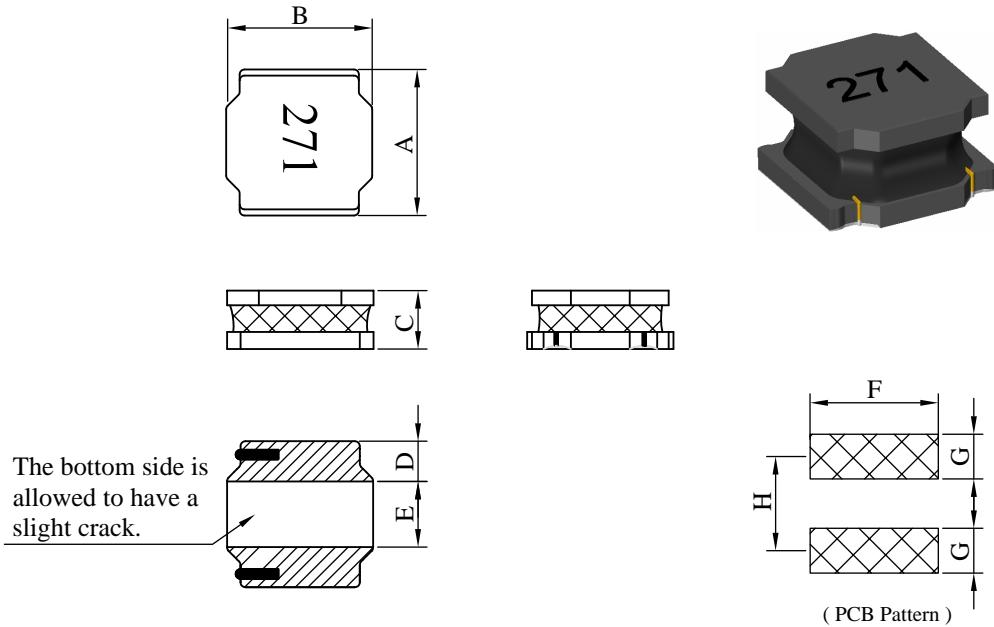


# SPECIFICATION FOR APPROVAL

REF. :

<b>PROD. NAME</b>	Semi-shielded SMD Power Inductor	<b>ABC'S DWG NO.</b>	GSDE8040271KAAE		
		<b>REV.</b>	20200403-A	<b>PAGE</b>	1

## I . Configuration and dimensions :



Unit : mm

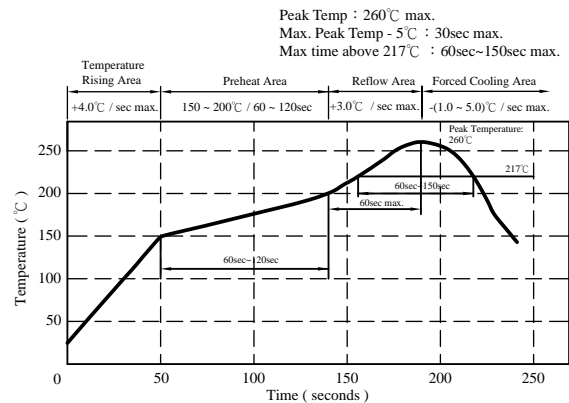
A	B	C	D	E	F	G	H
8.00 ±0.3	8.00 ±0.3	4.20 max.	2.00 ref.	4.00 ref.	7.50 ref.	1.80 ref.	5.60 ref.

## II . Description :

- a . Ferrite drum core construction.
- b . Enamelled copper wire : H class
- c . Moisture sensitivity Level 1
- d . Products comply with RoHS' requirements
- e . Halogen free

## III . General specification :

- a . Storage temp. : -25°C ----+85°C
- b . Operating temp. : -25°C ----+85°C  
(Temp. rise included)
- c . Resistance to solder heat : 260°C .10 secs.



AR-001C

# SPECIFICATION FOR APPROVAL

REF. :

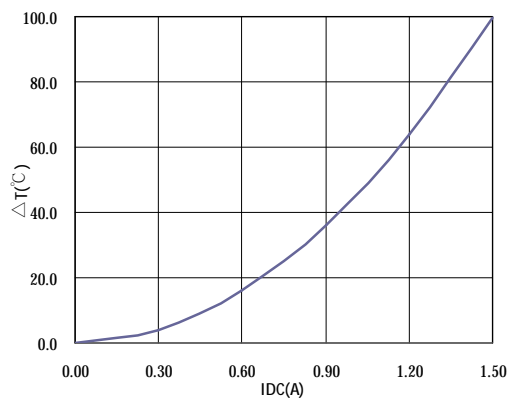
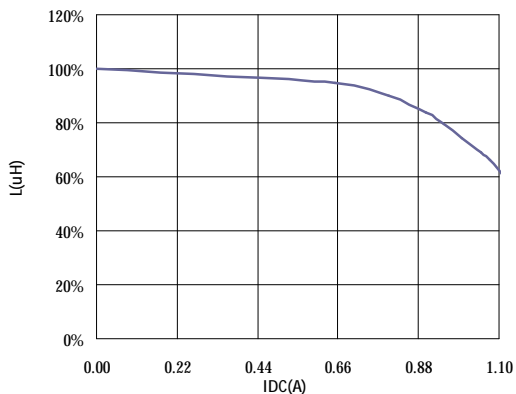
PROD. NAME	Semi-shielded SMD Power Inductor	ABC'S DWG NO.		GSDE8040271KAAE	
		REV.	20200403-A	PAGE	2

IV . Electrical characteristics :

DWG. No.	Inductance ( uH )	Test Freq. ( Hz )	RDC ( Ω ) max.	Isat ( A ) max.	Irms ( A ) max.
GSDE8040271KAAE	270.0 ±10%	1k/1V	0.95	0.60	0.60

- 1). Electrical specifications at 25°C
- 2). Isat base on  $\Delta L/L0A=25\%$  max. (Approximately transient current )
- 3). Irms base on Temp. rise 40°C max.

V . Curve :



AR-001C

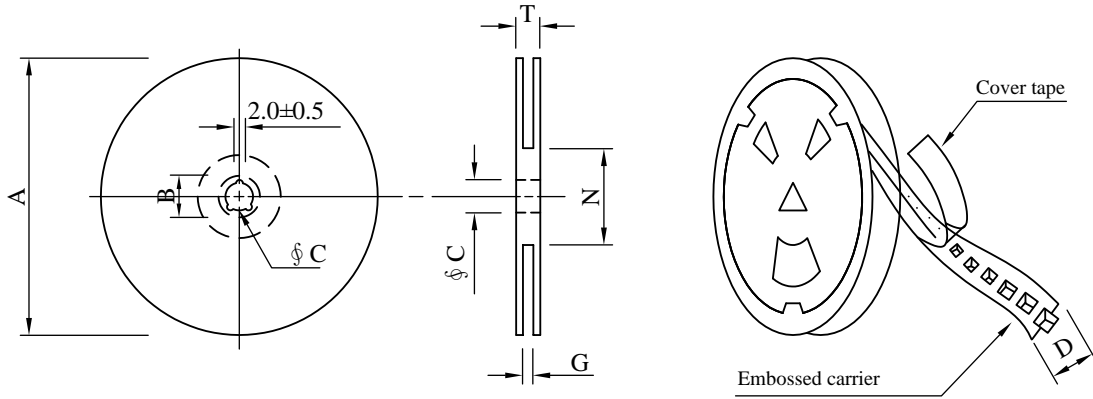
# SPECIFICATION FOR APPROVAL

REF :

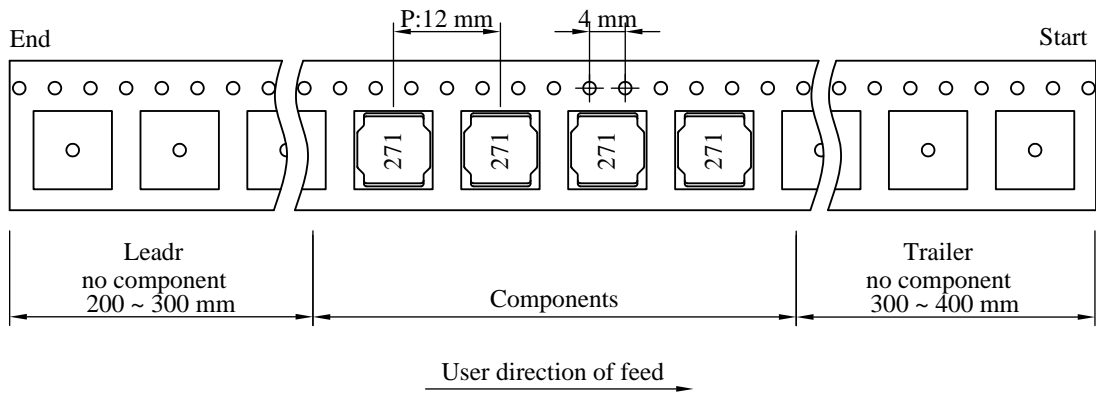
PROD. NAME	Semi-shielded SMD Power Inductor	ABC'S DWG NO.		GSDE8040271KAAE	
		REV.	20200403-A	PAGE	3

**VI . Packaging information :**

( 1 ) Configuration



※Carrier tape width : D



( 2 ) Dimensions

Unit:mm

Style	A	B	C	D	G	N	T
13 - 16	330	21±0.8	13	16	18 <sup>+0</sup>	50 <sup>-0</sup>	22.4

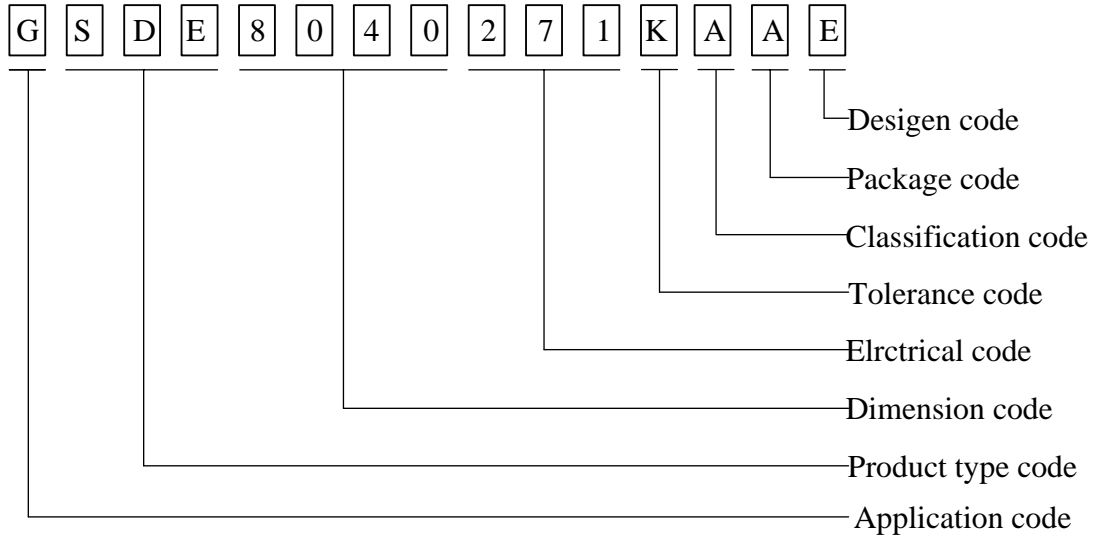
AR-001A

# SPECIFICATION FOR APPROVAL

REF. :

PROD. NAME	Semi-shielded SMD Power Inductor	ABC'S DWG NO.	GSDE8040271KAAE		
		REV.	20200403-A	PAGE	4

VII . Drawing number expression :



Package Information:

Code	Inner package	Inner package Q'TY	Remark
A	T/R (Reel package)	1000 PCS	

AR-001C