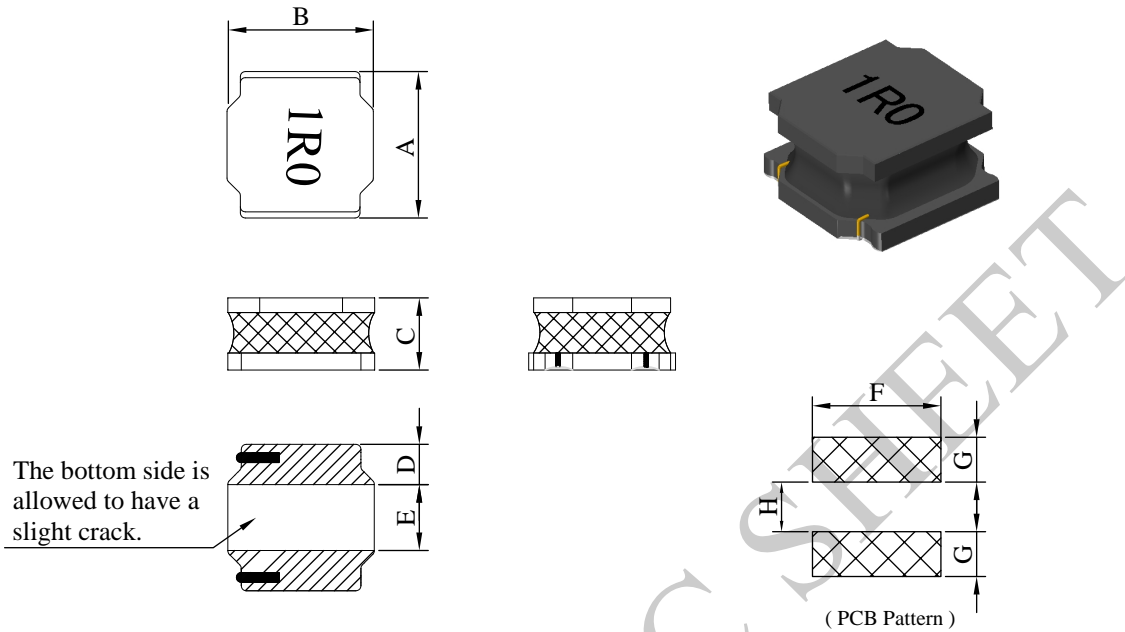


SPECIFICATION FOR APPROVAL

REF. :

PROD. NAME	Semi-shielded SMD Power Inductor	ABC'S DWG NO.		GSDE6045□□□□2□H	
		REV.	20210914	PAGE	1

I . Configuration and dimensions :



Unit : mm

A	B	C	D	E	F	G	H
6.00 ±0.3	6.00 ±0.3	4.50 max.	1.65 ±0.3	2.70 ±0.3	5.70 ref.	1.70 ref.	2.80 ref.

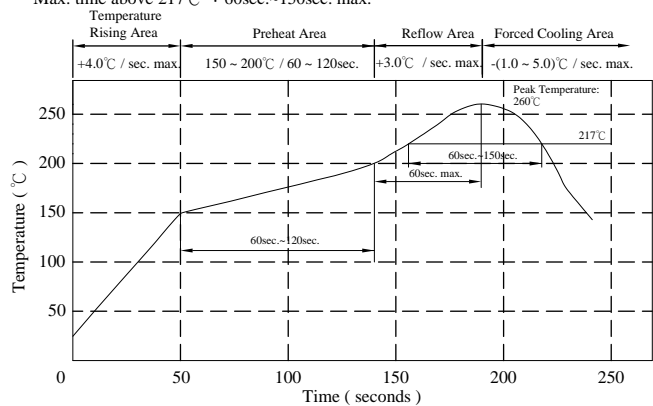
II . Description :

- a . Ferrite drum core construction.
- b . Enamelled copper wire : H/F class
- c . Product weight : 0.55 g (ref.)
- d . Moisture sensitivity Level 1
- e . Products comply with RoHS' requirements
- f . Halogen free

Peak temp. : 260°C max.
 Max. peak temp. - 5°C : 30sec. max.
 Max. time above 217°C : 60sec.~150sec. max.

III . General specification :

- a . Storage temp. : -40°C ----+105°C
- b . Operating temp. : -40°C----+125°C
(Temp. rise included)
- c . Resistance to solder heat : 260°C.10 sec.



AR-001C

SPECIFICATION FOR APPROVAL

REF. :

PROD. NAME	Semi-shielded SMD Power Inductor	ABC'S DWG NO.		GSDE6045□□□□2□H	
		REV.	20210914	PAGE	2

IV . Electrical characteristics :

DWG. No.	Inductance (μH)	Test Freq. (Hz)	RDC (mΩ)±30%	Isat (A) max.	Irms (A) typ
GSDE6045R56N2AH	0.56 ±30%	1M/0.25V	7.50	14.5	6.20
GSDE60451R0N2AH	1.00 ±30%	100k/0.25V	10.00	9.00	5.10
GSDE60451R5N2AH	1.50 ±30%	100k/0.25V	12.00	7.50	4.75
GSDE60451R8N2AH	1.80 ±30%	100k/0.25V	13.00	7.50	4.60
GSDE60452R2N2AH	2.20 ±30%	100k/0.25V	13.00	6.50	4.60
GSDE60453R3N2AH	3.30 ±30%	100k/0.25V	20.00	5.30	3.20
GSDE60453R9N2AH	3.90 ±30%	100k/0.25V	20.00	4.90	3.20
GSDE60454R7N2AH	4.70 ±30%	100k/0.25V	24.00	4.50	3.00
GSDE60455R6N2AH	5.60 ±30%	100k/0.25V	31.00	3.70	2.80
GSDE60456R8M2AH	6.80 ±20%	100k/0.25V	33.00	3.30	2.70
GSDE60458R2M2AH	8.20 ±20%	100k/0.25V	45.00	3.20	2.60
GSDE6045100M2AH	10.00 ±20%	100k/0.25V	52.00	3.00	2.50
GSDE6045120M2AH	12.00 ±20%	100k/0.25V	58.00	2.80	2.20
GSDE6045150M2AH	15.00 ±20%	100k/0.25V	77.00	2.50	1.90
GSDE6045180M2AH	18.00 ±20%	100k/0.25V	95.00	2.20	1.75
GSDE6045220M2AH	22.00 ±20%	100k/0.25V	115.00	2.00	1.50
GSDE6045270M2AH	27.00 ±20%	100k/0.25V	120.00	1.90	1.48
GSDE6045330M2AH	33.00 ±20%	100k/0.25V	150.00	1.60	1.45
GSDE6045390M2AH	39.00 ±20%	100k/0.25V	180.00	1.50	1.25
GSDE6045470M2AH	47.00 ±20%	100k/0.25V	220.00	1.40	1.20
GSDE6045560M2AH	56.00 ±20%	100k/0.25V	260.00	1.30	1.10
GSDE6045680M2AH	68.00 ±20%	100k/0.25V	290.00	1.20	0.90
GSDE6045820M2AH	82.00 ±20%	100k/0.25V	355.00	1.10	0.85
GSDE6045101M2AH	100.00 ±20%	100k/0.25V	430.00	1.00	0.80
GSDE6045121M2AH	120.00 ±20%	100k/0.25V	530.00	0.85	0.75
GSDE6045151M2AH	150.00 ±20%	100k/0.25V	760.00	0.80	0.70
GSDE6045181M2AH	180.00 ±20%	100k/0.25V	845.00	0.75	0.65
GSDE6045221M2AH	220.00 ±20%	100k/0.25V	890.00	0.63	0.55

- 1). Electrical specifications at 25°C
- 2). Isat base on ΔL/L0A=30% max. (Approximately transient current)
- 3). Irms base on temp. rise 40°C typ.

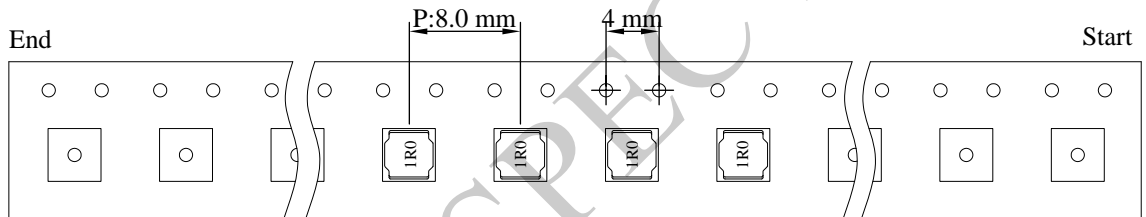
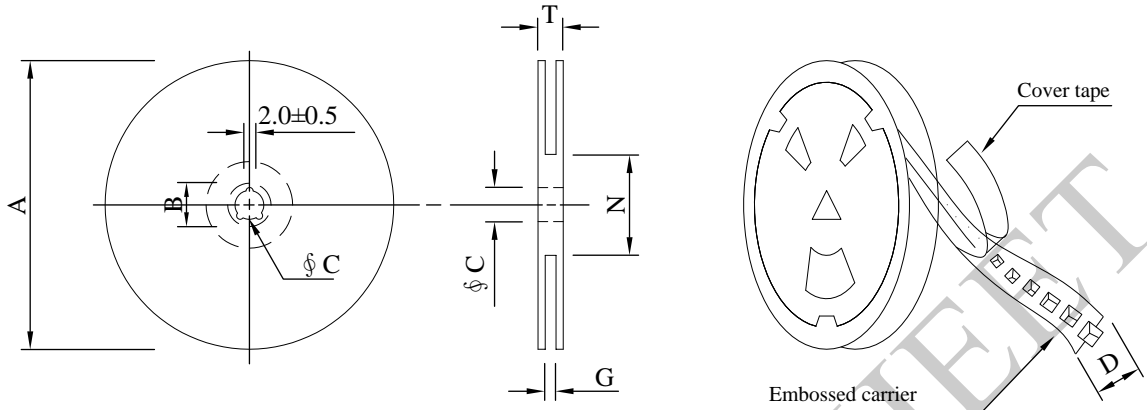
SPECIFICATION FOR APPROVAL

REF. :

PROD. NAME	Semi-shielded SMD Power Inductor	ABC'S DWG NO.		GSDE6045□□□□2□H	
		REV.	20210914	PAGE	3

V . Packaging information :

(1) Configuration



(2) Dimensions

Unit:mm

Style	A	B	C	D	G	N	T
13 - 12	330	21±0.8	13±0.4	12	12.4 ^{+1.5} ₋₀	100	16.4

(3) Q'TY & G.W. Per package

Code	Inner : Reel			Outer : Carton		
	Q'TY (pcs)	G.W. (g)	Style	Q'TY (pcs)	G.W. (kg)	Size (cm)
A	1,500	1,350	13 - 12	13,500	12.50	38 x 37 x 22

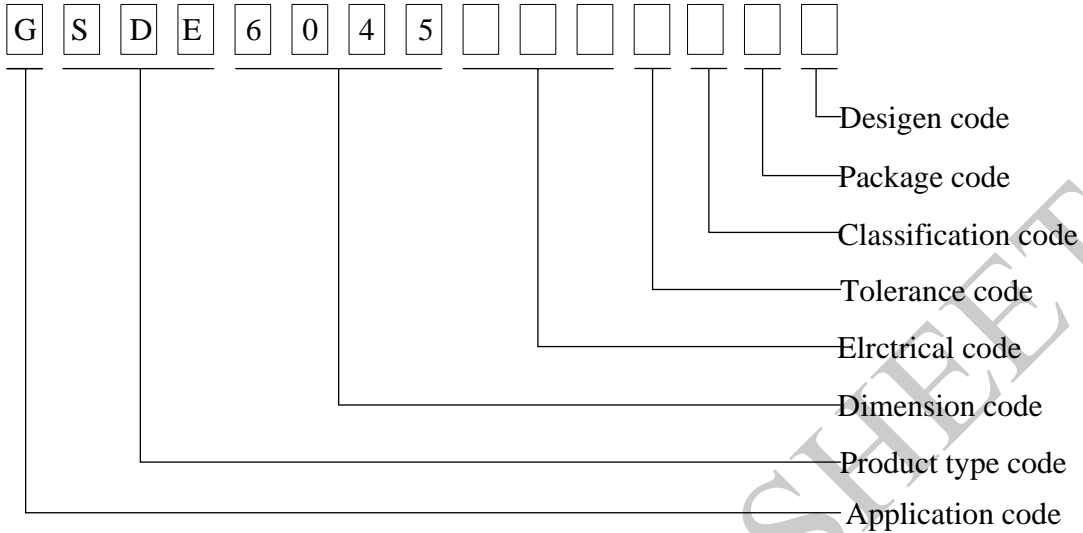
AR-001C

SPECIFICATION FOR APPROVAL

REF. :

PROD. NAME	Semi-shielded SMD Power Inductor	ABC'S DWG NO.	GSDE6045□□□□2□H		
		REV.	20210914	PAGE	4

VI . Drawing number expression :



Appendix code 1 : Product Classification

Appendix code 2 : Package Information

Code	Inner package	Cover tape	Carrier tape	Bag	Package Q'TY	Remark
A	T/R	Antistatic	Antistatic	Antistatic	1,500 pcs	

AR-001C