

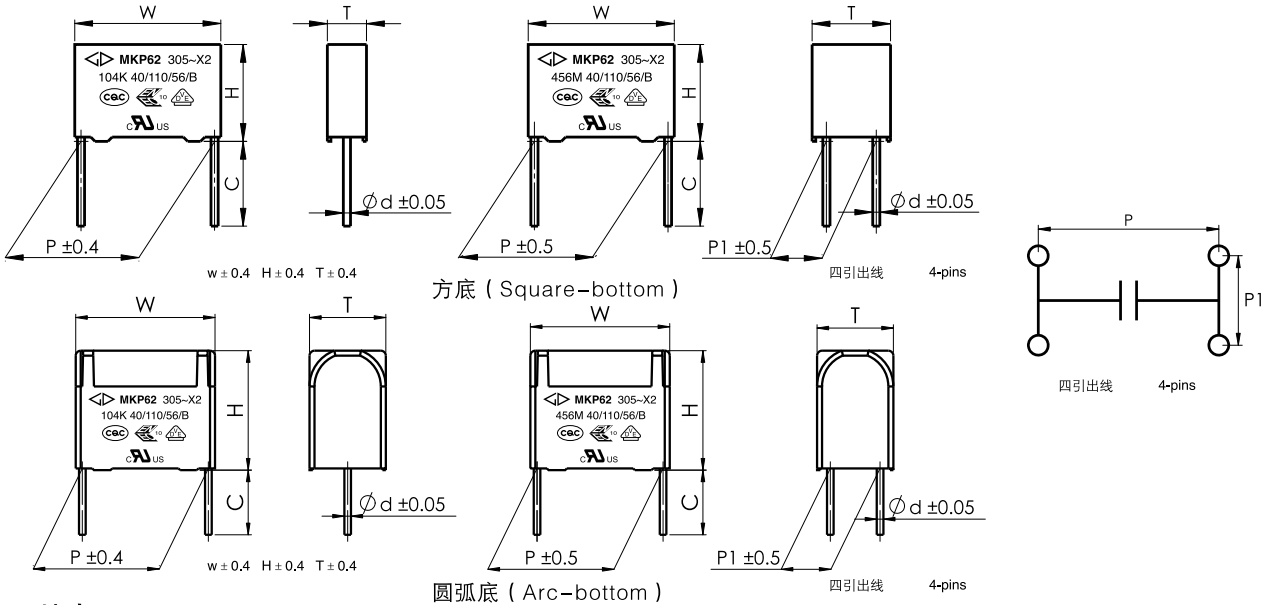


MKP62

Code: C42

金属化聚丙烯膜抗干扰电容器 (X2类, 305Vac/275Vac) Metallized polypropylene film interference Suppression capacitor (Class X2, 305Vac/275Vac)

■ 外形图 Outline Drawing



■ 特点

- 金属化聚丙烯
- 能承受过压冲击
- 优异的阻燃性能
- 用于电源跨线路等抗干扰场合

■ Features

- Metallized polypropylene structure
- Withstanding overvoltage stressing
- Excellent active and passive flame resistant abilities
- Used in across-the-line, interference suppression circuit

■ 安全认证 Safety Approvals

●		CQC (中国)	IEC 60384-14:2013, X2, 305Vac/275Vac, 0.0010µF~50.0µF, 40/110/56/B 证书号(Certificate No.): CQC03001002875
●		ENEC-VDE (欧盟)	EN 60384-14:2013+A1:2016, X2, 305Vac/275Vac, 0.0010µF~50.0µF, 40/110/56/B 证书号(Certificate No.): 40000358
●		UL/CUL (美国/加拿大)	UL 60384-14:2009, CSA E60384-14:09, X2, 305Vac/275Vac, 0.0010µF~50.0µF, 40/110/56/B 证书号(File No.): E186600, CCN: FOWX2/8
●		KC (韩国)	K 60384-14(2006-12), X2, 305Vac/275Vac, 0.0010µF~3.0µF, 40/110/56/B 证书号(Certificate No.): SU03060-12001A/12002/12003/12004

■ 技术要求 Specifications

气候类别 / 阻燃等级 Climatic Category/Passive Flammability Category	40/110/56/B		
工作温度范围 Operating Temperature Range	-40 ~ +110		
额定电压 Rated Voltage (U _R)	305Vac/275Vac, 50/60Hz		
电容量范围 Capacitance Range	0.0010µF ~ 25.0µF		
电容量偏差 Capacitance Tolerance	±10%(K), ±20%(M)		
耐压电压 Voltage Proof	引线之间 Between Terminals:	4.3U _R (Vdc), 2s	
	极壳之间 Between Terminals To Case:	2 120Vac, 1min	
绝缘电阻 Insulation Resistance	R 15 000M, C _N 0.33µF RC _N 5 000s, C _N > 0.33µF (20, 100V, 1min)		
损耗角正切 Dissipation Factor(tan δ)	0.0010µF C _N < 0.010µF	20 x 10 ⁻⁴ (1kHz,20)	20 x 10 ⁻⁴ (10kHz,20)
	0.010µF C _N < 0.47µF	10 x 10 ⁻⁴ (1kHz,20)	20 x 10 ⁻⁴ (10kHz,20)
	0.47µF C _N 1.0µF	20 x 10 ⁻⁴ (1kHz,20)	40 x 10 ⁻⁴ (10kHz,20)
	1.0µF < C _N 10.0µF	30 x 10 ⁻⁴ (1kHz,20)	-----
	10.0µF < C _N 50.0µF	40 x 10 ⁻⁴ (1kHz,20)	-----

注: 1. 推荐用于电网额定电压不超过 250VAC 场合;
2. 如果需要用到承载一定纹波电流场合, 建议选用 C6A 等专用的滤波电容器; 如有疑问, 请与我司技术工程师联系;
3. 若用于户外或长期湿度较大场合, 建议选用防潮设计。

Recommend for max rated supply mains voltage 250Vac application ;
If used in application which has ripple current applied, recommend to use AC filter series: C6A etc ;
If have any questions please contact our technical engineer for more detail;
For outdoor or severe humidity condition application, recommend to use THB series.

产品编码说明 Part number system

■ 18位产品代码如下:

The 18 digits part number is formed as follow:

1	2	3	4	5	6	7	8	9	10	11	12	13	14	15	16	17	18
C	4	2															

第1~3位	型号代码 C42=MKP62	Digit 1 to 3	Series code C42=MKP62
第4~5位	交流额定电压 Q2=305V P2=275V	Digit 4 to 5	AC rated voltage Q2=305V P2=275V
第6~8位	标称容量 举例: 103=10 × 10 ³ pF=0.01μF	Digit 6 to 8	Rated capacitance value For example: 103=10 × 10 ³ pF=0.01μF
第9位	容量偏差 K= ± 10%, M= ± 20%	Digit 9	Capacitance tolerance K= ± 10%, M= ± 20%
第10位	引线脚距P 3=7.5mm 4=10.0mm 6=15.0mm 9=22.5mm A=25.0mm B=27.5mm D=32.5mm F=37.5mm M=52.5mm	Digit 10	Pitch 3=7.5mm 4=10.0mm 6=15.0mm 9=22.5mm A=25.0mm B=27.5mm D=32.5mm F=37.5mm M=52.5mm
第11位	内部特征码	Digit 11	Internal use
第12~15位	引线加工和包装代码	Digit 12 to 15	Lead form and packaging code
第16~18位	内部特征码	Digit 16 to 18	Internal use

■ Table 1 引线加工和包装代码 lead form and packaging code

第 12 位 Digit 12		第 13 位 Digit 13		第 14 位 Digit 14		第 15 位 Digit 15	
代码 Code	说明 explanation	代码 Code	说明 explanation	代码 Code	说明 explanation	代码 Code	说明 explanation
A	弹带包装 ammo-pack	3 4 6	F=7.5mm F=10.0mm F=15.0mm	0	表示直脚 straight	1 5	产品在连续的两个载带孔之间 each cap. among two consecutive holes P3=12.7mm,H=18.5mm (For pitch=7.5mm) P3=25.4mm;H=18.5mm (For pitch=10.0/15.0mm) (Detail parameter refer to catalogue pag 17)
C	直脚 straight lead “C” in the figure above	代码 Code 00 45	说明 explanation 标准的引线长度 (18mm~26mm) standard lead length 引线长度 4.5mm lead length 4.5mm			0	引线长度偏差 ±0.5mm 或标准长度 Length tolerance ± 0.5mm Or standard length
D E M	软绝缘线 (多股) Insulated stranded leads 硬绝缘线 (单股) Insulated solid leads 软绝缘线 (多股), 外壳带正底安装耳 Insulated stranded leads Box with mounting foot	C5 K0 K2 L0	35mm 100mm 120mm 200mm 注 1: 这里的长度包含剥线长度 Note 1: This length includes the stripping parts. 注 2: 一般 P ≥ 27.5 产品才可选用绝缘线方式 Note 2: Normally, for P ≥ 27.5 Caps can choice Insulated leads.			1 2 3 4	引线长度偏差 -5mm ~ 0mm Length tolerance -5 mm ~ 0 mm 引线长度偏差 0 mm ~ +5 mm Length tolerance 0 mm ~ +5 mm 引线长度偏差 0 mm ~ +10mm Length tolerance 0 mm ~ +10mm 引线长度偏差 ± 5 mm Length tolerance ± 5 mm
T 3	P1=20.3mm ± 0.5mm P1=20mm ± 0.5mm	45 55	引线长度 4.5mm lead length 4.5mm 引线长度 5.5mm lead length 5.5mm			0	引线长度偏差 ± 0.5mm 或标准长度 Length tolerance ± 0.5mm Or standard length



MKP62

Code: C42

■ 外形尺寸 Dimensions (mm)

标准型 Standard version

305Vac/275Vac [#]						
C _N (μF)	W	H	T	P	d	Part number
0.0010	10.5	9.0	4.0	7.5	0.6	C42Q2102-30****+
0.0012	10.5	9.0	4.0	7.5	0.6	C42Q2122-30****+
0.0015	10.5	9.0	4.0	7.5	0.6	C42Q2152-30****+
0.0018	10.5	9.0	4.0	7.5	0.6	C42Q2182-30****+
0.0022	10.5	9.0	4.0	7.5	0.6	C42Q2222-30****+
0.0027	10.5	9.0	4.0	7.5	0.6	C42Q2272-30****+
0.0033	10.5	9.0	4.0	7.5	0.6	C42Q2332-30****+
0.0039	10.5	9.0	4.0	7.5	0.6	C42Q2392-30****+
0.0047	10.5	9.0	4.0	7.5	0.6	C42Q2472-30****+
0.0056	10.5	9.0	4.0	7.5	0.6	C42Q2562-30****+
0.0068	10.5	9.0	4.0	7.5	0.6	C42Q2682-30****+
0.0082	10.5	9.0	4.0	7.5	0.6	C42Q2822-30****+
0.010	10.5	9.0	4.0	7.5	0.6	C42Q2103-30****+
0.012	10.5	9.0	4.0	7.5	0.6	C42Q2123-30****+
0.015	10.5	9.0	4.0	7.5	0.6	C42Q2153-30****+
0.018	10.5	9.0	4.0	7.5	0.6	C42Q2183-30****+
0.022	10.5	9.0	4.0	7.5	0.6	C42Q2223-3S****+
0.027	10.5	9.0	4.0	7.5	0.6	C42Q2273-3S****+
0.033	10.5	11.0	5.0	7.5	0.6	C42Q2333-3S****+
0.039	10.5	11.0	5.0	7.5	0.6	C42Q2393-3S****+
0.047	10.5	11.0	5.0	7.5	0.6	C42Q2473-3S****+
0.056	10.5	12.0	6.0	7.5	0.6	C42Q2563-3S****+
0.068	10.5	12.0	6.0	7.5	0.6	C42Q2683-3S****+
0.0047	13.0	9.0	4.0	10.0	0.6	C42Q2472-40****+
0.0056	13.0	9.0	4.0	10.0	0.6	C42Q2562-40****+
0.0068	13.0	9.0	4.0	10.0	0.6	C42Q2682-40****+
0.0082	13.0	9.0	4.0	10.0	0.6	C42Q2822-40****+
0.010	13.0	9.0	4.0	10.0	0.6	C42Q2103-40****+
0.012	13.0	9.0	4.0	10.0	0.6	C42Q2123-40****+
0.015	13.0	9.0	4.0	10.0	0.6	C42Q2153-40****+
0.018	13.0	9.0	4.0	10.0	0.6	C42Q2183-40****+
0.022	13.0	9.0	4.0	10.0	0.6	C42Q2223-40****+
0.027	13.0	9.0	4.0	10.0	0.6	C42Q2273-40****+
0.033	13.0	9.0	4.0	10.0	0.6	C42Q2333-4S****+
0.039	13.0	9.0	4.0	10.0	0.6	C42Q2393-4S****+
0.047	13.0	9.0	4.0	10.0	0.6	C42Q2473-4S****+
0.056	13.0	11.0	5.0	10.0	0.6	C42Q2563-4S****+
0.068	13.0	11.0	5.0	10.0	0.6	C42Q2683-4S****+
0.082	13.0	11.0	5.0	10.0	0.6	C42Q2823-4S****+
0.10M	13.0	11.0	5.0	10.0	0.6	C42Q2104M4S****+
0.10K	13.0	12.0	6.0	10.0	0.6	C42Q2104K4S****+
0.12	13.0	13.0	7.0	10.0	0.6	C42Q2124-4S****+
0.15	13.0	13.0	7.0	10.0	0.6	C42Q2154-4S****+
0.18	13.0	14.0	8.0	10.0	0.6	C42Q2184-4S****+
0.22M	13.0	14.0	8.0	10.0	0.6	C42Q2224M4S****+

305Vac/275Vac [#]						
C _N (μF)	W	H	T	P	d	Part number
0.010	17.5	9.5	5.0	15.0	0.6	C42Q2103-6A****+
0.012	17.5	9.5	5.0	15.0	0.6	C42Q2123-6A****+
0.015	17.5	9.5	5.0	15.0	0.6	C42Q2153-6A****+
0.018	17.5	9.5	5.0	15.0	0.6	C42Q2183-6A****+
0.022	17.5	9.5	5.0	15.0	0.6	C42Q2223-6A****+
0.027	17.5	9.5	5.0	15.0	0.6	C42Q2273-6A****+
0.033	17.5	9.5	5.0	15.0	0.6	C42Q2333-6A****+
0.039	17.5	9.5	5.0	15.0	0.6	C42Q2393-6A****+
0.047	17.5	9.5	5.0	15.0	0.6	C42Q2473-6A****+
0.056	17.5	9.5	5.0	15.0	0.6	C42Q2563-6A****+
0.068	17.5	9.5	5.0	15.0	0.6	C42Q2683-6A****+
0.082	17.5	9.5	5.0	15.0	0.6	C42Q2823-6A****+
0.10M	17.5	9.5	5.0	15.0	0.6	C42Q2104M6A****+
0.10	17.5	11.0	5.0	15.0	0.6	C42Q2104-6S****+
0.12	17.5	11.0	5.0	15.0	0.6	C42Q2124-6S****+
0.15M	17.5	11.0	5.0	15.0	0.6	C42Q2154M6S****+
0.15K	17.5	12.0	6.0	15.0	0.6	C42Q2154K6S****+
0.18	17.5	12.0	6.0	15.0	0.6	C42Q2184-6S****+
0.22M	17.5	12.0	6.0	15.0	0.6	C42Q2224M6S****+
0.22K	17.5	13.5	6.0	15.0	0.6	C42Q2224K6S****+
0.22K	17.5	12.0	7.0	15.0	0.6	C42Q2224K6C****+
0.22K	17.5	13.5	7.5	15.0	0.6	C42Q2224K6S****+
0.27	17.5	13.5	7.5	15.0	0.6	C42Q2274-6S****+
0.33M	17.5	13.5	7.5	15.0	0.6	C42Q2334M6S****+
0.33K	17.5	14.0	8.0	15.0	0.6	C42Q2334K6S****+
0.33M	17.5	12.5	9.0	15.0	0.6	C42Q2334M6A****+
0.33M	17.5	17.5	6.0	15.0	0.6	C42Q2334M6B****+
0.33K	17.5	18.5	7.5	15.0	0.8	C42Q2334K6A****+
0.33	17.5	12.0	13.0	15.0	0.8	C42Q2334-6C****+
0.39	17.5	14.5	8.5	15.0	0.6	C42Q2394-6S****+
0.47M	17.5	14.5	8.5	15.0	0.6	C42Q2474M6S****+
0.47M	17.5	18.5	7.5	15.0	0.8	C42Q2474M6A****+
0.47K	17.5	16.0	10.0	15.0	0.8	C42Q2474K6S****+
0.56	17.5	16.0	10.0	15.0	0.8	C42Q2564-6A****+
0.60	17.5	19.0	11.0	15.0	0.8	C42Q2604-6S****+
0.68	17.5	19.0	11.0	15.0	0.8	C42Q2684-6S****+
0.82M	17.5	19.0	11.0	15.0	0.8	C42Q2824M6S****+
0.15	26.5	15.0	6.0	22.5	0.8	C42Q2154-90****+
0.18	26.5	15.0	6.0	22.5	0.8	C42Q2184-90****+
0.22	26.5	15.0	6.0	22.5	0.8	C42Q2224-9S****+
0.27	26.5	15.0	6.0	22.5	0.8	C42Q2274-9S****+
0.33	26.5	15.0	6.0	22.5	0.8	C42Q2334-9S****+
0.39	26.5	15.0	6.0	22.5	0.8	C42Q2394-9S****+
0.47M	26.5	15.0	6.0	22.5	0.8	C42Q2474M9S****+
0.47K	26.5	16.0	7.0	22.5	0.8	C42Q2474K9S****+
0.56	26.5	16.0	7.0	22.5	0.8	C42Q2564-9S****+
0.60	26.5	17.0	8.5	22.5	0.8	C42Q2604-9S****+
0.68	26.5	17.0	8.5	22.5	0.8	C42Q2684-9S****+
0.82	26.5	18.5	10.0	22.5	0.8	C42Q2824-9S****+
1.0	26.5	18.5	10.0	22.5	0.8	C42Q2105-9S****+
1.2	26.5	20.0	11.0	22.5	0.8	C42Q2125-9S****+
1.5M	26.5	20.0	11.0	22.5	0.8	C42Q2155M9S****+
1.5K	26.5	22.0	12.0	22.5	0.8	C42Q2155K9S****+

305Vac/275Vac [#]						
C _N (μF)	W	H	T	P	d	Part number
1.8	26.5	24.5	15.5	22.5	0.8	C42Q2185-9S****+
2.2	26.5	24.5	15.5	22.5	0.8	C42Q2225-9S****+
2.2	26.5	29.5	14.5	22.5	0.8	C42Q2225-9A****+
0.39	32.0	18.0	9.0	27.5	0.8	C42Q2394-B0****+
0.47	32.0	18.0	9.0	27.5	0.8	C42Q2474-B0****+
0.56	32.0	18.0	9.0	27.5	0.8	C42Q2564-B0****+
0.68	32.0	18.0	9.0	27.5	0.8	C42Q2684-B0****+
0.82	32.0	18.0	9.0	27.5	0.8	C42Q2824-B0****+
1.0	32.0	18.0	9.0	27.5	0.8	C42Q2105-BS****+
1.0	32.0	12.0	18.0	27.5	0.8	C42Q2105-BC****+
1.2	32.0	20.0	11.0	27.5	0.8	C42Q2125-BS****+
1.5	32.0	20.0	11.0	27.5	0.8	C42Q2155-BS****+
1.8	32.0	22.0	13.0	27.5	0.8	C42Q2185-BS****+
2.2M	32.0	22.0	13.0	27.5	0.8	C42Q2225MBS****+
2.2K	32.0	25.0	13.0	27.5	0.8	C42Q2225KBS****+
★ 2.2	32.0	16.0	22.0	27.5	0.8	C42Q2225-BC****+
2.7	32.0	28.0	14.0	27.5	0.8	C42Q2275-BS****+
3.3	32.0	30.0	16.0	27.5	0.8	C42Q2335-BA****+
3.3M	32.0	24.5	15.0	27.5	0.8	C42Q2335MBS****+
3.3K	32.0	28.0	17.0	27.5	0.8	C42Q2335KBS****+
★ 3.3M	32.0	16.0	27.5	27.5	0.8	C42Q2335MBC****+
★ 3.3K	32.0	18.5	31.0	27.5	0.8	C42Q2335KBC****+
3.9	32.0	29.0	19.0	27.5	0.8	C42Q2395-BA****+
3.9	32.0	33.0	18.0	27.5	0.8	C42Q2395-BS****+
4.7M	32.0	33.0	18.0	27.5	0.8	C42Q2475MBS****+
★ 4.7M	32.0	18.5	31.0	27.5	0.8	C42Q2475MBC****+
4.7K	32.0	33.0	18.0	27.5	0.8	C42Q2475KBS****+
★ 4.7	32.0	30.0	21.0	27.5	0.8	C42Q2475-BB****+
5.6	32.0	37.0	22.0	27.5	0.8	C42Q2565-BS****+
6.8M	32.0	37.0	22.0	27.5	0.8	C42Q2685MBS****+
1.5	41.0	22.0	11.0	37.5	1.0	C42Q2155-FS****+
1.8	41.0	22.0	11.0	37.5	1.0	C42Q2185-FS****+
2.2	41.0	24.0	13.0	37.5	1.0	C42Q2225-FS****+
2.2	42.0	15.0	24.0	37.5	1.0	C42Q2225-FC****+
2.7	41.0	24.0	13.0	37.5	1.0	C42Q2275-FS****+
3.3	41.0	26.0	15.0	37.5	1.0	C42Q2335-FA****+
3.3	42.0	28.0	14.0	37.5	1.0	C42Q2335-FS****+
3.3	42.0	15.0	24.0	37.5	1.0	C42Q2335-FC****+
3.9	41.0	30.0	16.0	37.5	1.0	C42Q2395-FS****+
4.7M	42.0	19.0	24.0	37.5	1.0	C42Q2475MFC****+
4.7K	41.0	20.0	26.0	37.5	1.0	C42Q2475KFC****+
4.7	41.0	30.0	16.0	37.5	1.0	C42Q2475-FS****+
5.6	41.0	33.5	18.5	37.5	1.0	C42Q2565-FS****+
6.8	41.0	33.5	18.5	37.5	1.0	C42Q2685-FS****+
6.8	42.0	24.0	32.0	37.5	1.0	C42Q2685-FC****+
8.2	41.0	37.0	22.0	37.5	1.0	C42Q2825-FS****+
10.0M	41.0	37.0	22.0	37.5	1.0	C42Q2106MFS****+
10.0K	41.0	41.0	26.0	37.5	1.0	C42Q2106KFS****+
10.0K	41.5	37.5	27.5	37.5	1.0	C42Q2106KFA****+
12.0	41.0	43.0	28.0	37.5	1.0	C42Q2126-FS****+
15.0	42.0	45.0	30.0	37.5	1.0	C42Q2156-FS****+
20.0	42.0	57.5	30.0	37.5	1.0	C42Q2206-FS****+
20.0	57.0	45.0	30.0	52.5	1.2	C42Q2206-MST****+
20.0	57.0	30.0	44.0	52.5	1.2	C42Q2206-MCT****+
25.0	57.0	50.0	35.0	52.5	1.2	C42Q2256-MST****+

- 备注: 1. “-”表示容量偏差。 “-”=capacitance tolerance code, M=±20%,K=±10%
 2. “****”表示引线加工和包装代码(见table 1)。“****”=lead form and packing code (refer to table 1)
 3. “#”当额定电压为275Vac时,第4~5位是P2。“#”when the rated voltage is 275Vac,the digit 4~5 is P2.
 4.不用于与电源串联的场合,与电源串联用请参见降压专用电容器P150。
 Not for use in series with the mains,the capacitors for series with the mains,please refer pag.150.
 5. “★”表示外壳为圆弧底。“★”=Arc bottom of the outer shell.

■ 外形尺寸 Dimensions (mm)

高性能型 High performance version

305Vac/275Vac [#]						
容量 (μF)	W	H	T	P	d	产品代码 Part number
0.022	10.5	9.0	4.0	7.5	0.6	C42Q2223-30****+++
0.027	10.5	11.0	5.0	7.5	0.6	C42Q2273-30****+++
0.033	10.5	11.0	5.0	7.5	0.6	C42Q2333-30****+++
0.039	10.5	12.0	6.0	7.5	0.6	C42Q2393-30****+++
0.047	10.5	12.0	6.0	7.5	0.6	C42Q2473-30****+++
0.033	13.0	11.0	5.0	10.0	0.6	C42Q2333-40****+++
0.039	13.0	11.0	5.0	10.0	0.6	C42Q2393-40****+++
0.047	13.0	11.0	5.0	10.0	0.6	C42Q2473-40****+++
0.056	13.0	11.0	5.0	10.0	0.6	C42Q2563-40****+++
0.068	13.0	12.0	6.0	10.0	0.6	C42Q2683-40****+++
0.082	13.0	12.0	6.0	10.0	0.6	C42Q2823-40****+++
0.10	13.0	12.0	6.0	10.0	0.6	C42Q2104-40****+++
0.12	13.0	14.0	8.0	10.0	0.6	C42Q2124-40****+++
0.15	13.0	14.0	8.0	10.0	0.6	C42Q2154-40****+++
0.010	17.5	11.0	5.0	15.0	0.8	C42Q2103-60****+++
0.012	17.5	11.0	5.0	15.0	0.8	C42Q2123-60****+++
0.015	17.5	11.0	5.0	15.0	0.8	C42Q2153-60****+++
0.018	17.5	11.0	5.0	15.0	0.8	C42Q2183-60****+++
0.022	17.5	11.0	5.0	15.0	0.8	C42Q2223-60****+++
0.027	17.5	11.0	5.0	15.0	0.8	C42Q2273-60****+++
0.033	17.5	11.0	5.0	15.0	0.8	C42Q2333-60****+++
0.039	17.5	11.0	5.0	15.0	0.8	C42Q2393-60****+++
0.047	17.5	11.0	5.0	15.0	0.8	C42Q2473-60****+++
0.056	17.5	11.0	5.0	15.0	0.8	C42Q2563-60****+++
0.068	17.5	11.0	5.0	15.0	0.8	C42Q2683-60****+++
0.082	17.5	11.0	5.0	15.0	0.8	C42Q2823-60****+++
0.10	17.5	11.0	5.0	15.0	0.8	C42Q2104-60****+++
0.12	17.5	12.0	6.0	15.0	0.8	C42Q2124-60****+++
0.15	17.5	12.0	6.0	15.0	0.8	C42Q2154-60****+++
0.18	17.5	13.5	7.5	15.0	0.8	C42Q2184-60****+++
0.22	17.5	13.5	7.5	15.0	0.8	C42Q2224-60****+++
0.27	17.5	14.5	8.5	15.0	0.8	C42Q2274-60****+++
0.33	17.5	16.0	10.0	15.0	0.8	C42Q2334-60****+++
0.39	17.5	19.0	11.0	15.0	0.8	C42Q2394-60****+++
0.47	17.5	19.0	11.0	15.0	0.8	C42Q2474-60****+++

305Vac/275Vac [#]						
容量 (μF)	W	H	T	P	d	产品代码 Part number
0.22	26.5	15.0	6.0	22.5	0.8	C42Q2224-90****+++
0.27	26.5	16.0	7.0	22.5	0.8	C42Q2274-90****+++
0.33	26.5	16.0	7.0	22.5	0.8	C42Q2334-90****+++
0.39	26.5	17.0	8.5	22.5	0.8	C42Q2394-90****+++
0.47	26.5	17.0	8.5	22.5	0.8	C42Q2474-90****+++
0.56	26.5	18.5	10.0	22.5	0.8	C42Q2564-90****+++
0.68	26.5	18.5	10.0	22.5	0.8	C42Q2684-90****+++
0.82	26.5	22.0	12.0	22.5	0.8	C42Q2824-90****+++
1.0	26.5	22.0	12.0	22.5	0.8	C42Q2105-90****+++
1.2	26.5	24.5	15.5	22.5	0.8	C42Q2125-90****+++
1.5	26.5	24.5	15.5	22.5	0.8	C42Q2155-90****+++
0.82	32.0	20.0	11.0	27.5	0.8	C42Q2824-B0****+++
1.0	32.0	20.0	11.0	27.5	0.8	C42Q2105-B0****+++
1.2	32.0	22.0	13.0	27.5	0.8	C42Q2125-B0****+++
1.5	32.0	22.0	13.0	27.5	0.8	C42Q2155-B0****+++
1.8	32.0	24.5	15.0	27.5	0.8	C42Q2185-B0****+++
2.2	32.0	28.0	14.0	27.5	0.8	C42Q2225-B0****+++
2.7	32.0	33.0	18.0	27.5	0.8	C42Q2275-B0****+++
3.3	32.0	33.0	18.0	27.5	0.8	C42Q2335-B0****+++
3.9	32.0	37.0	22.0	27.5	0.8	C42Q2395-B0****+++
4.7	32.0	37.0	22.0	27.5	0.8	C42Q2475-B0****+++
1.5	41.0	22.0	11.0	37.5	1.0	C42Q2155-F0****+++
1.8	41.0	26.0	12.0	37.5	1.0	C42Q2185-F0****+++
2.2M	41.0	26.0	12.0	37.5	1.0	C42Q2225MF0****+++
2.2K	42.0	28.0	14.0	37.5	1.0	C42Q2225KF0****+++
2.7	42.0	28.0	14.0	37.5	1.0	C42Q2275-F0****+++
3.3	41.0	30.0	16.0	37.5	1.0	C42Q2335-F0****+++
3.9	41.0	32.0	17.0	37.5	1.0	C42Q2395-F0****+++
4.7	41.0	33.5	18.5	37.5	1.0	C42Q2475-F0****+++
5.6	41.0	37.0	22.0	37.5	1.0	C42Q2565-F0****+++
6.8	41.0	37.0	22.0	37.5	1.0	C42Q2685-F0****+++
8.2	41.0	41.0	26.0	37.5	1.0	C42Q2825-F0****+++
10.0	41.0	43.0	28.0	37.5	1.0	C42Q2106-F0****+++

备注: 1. “-”表示容量偏差。 “-” =capacitance tolerance code, M= ± 20%,K= ± 10%
 2. “****”表示引线加工和包装代码(见table 1)。“****” =lead form and packing code (refer to table 1)
 3. “#”当额定电压为275Vac时,第4~5位是P2。“#” when the rated voltage is 275Vac,the digit 4~5 is P2.
 4.不用于与电源串联的场合,与电源串联用请参见降压专用电容器P150。
 Not for use in series with the mains,the capacitors for series with the mains,please refer pag.150.