

UDE/UDE-A

5.2Ø x 20 mm

Time-Lag Fuse



Agency Approvals

Agency	Ampere Rating
Recognized Component for Canada and US	500mA - 25A
TUV	500mA - 25A

Interrupting Rating

500mA - 25A:	100 amperes at 500V AC
500mA - 3.15A:	1,500 amperes at 500V DC
4A - 12A:	500 amperes at 500V DC
16A - 25A:	400 amperes at 500V DC

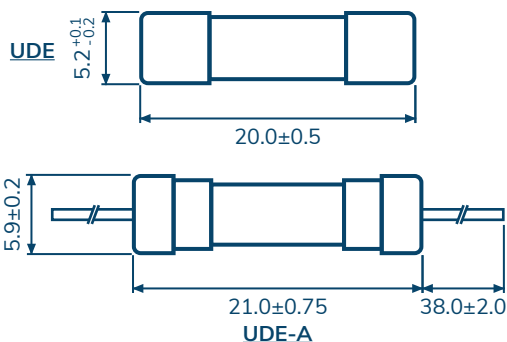
Product Characteristics

Operating Temperature	-55 °C to 125 °C
Material	Body: Ceramic / Caps: Nickel Plated Brass
Leads Wire	Ø0.8 mm 12A and less. Ø1.0 mm for rating above 16A.

Packaging

Packaging Option	Quantity
Bulk	UDE: 1,000 pcs / box UDE-A: 500 pcs / box
On Axial Tape & Reel	1,000 pcs / box

Mechanical Dimensions (mm)



Electrical Characteristics

Ampere Rating	Opening Time									
	1.5 In		2.1 In		2.75 In		4 In		10 In	
	MIN	MAX	MIN	MAX	MIN	MAX	MIN	MAX	MIN	MAX
500mA - 800mA	60 min	30 min	250 ms	80 sec	50 ms	5 sec	5 ms	150 ms		
1A - 3.15A	60 min	30 min	750 ms	80 sec	95 ms	5 sec	10 ms	150 ms		
4A - 6.3A	60 min	30 min	750 ms	80 sec	150 ms	5 sec	10 ms	150 ms		
8A - 25A	30 min	30 min	750 ms	80 sec	150 ms	5 sec	10 ms	150 ms		

Catalog Number	Ampere Rating (A)	Voltage Rating (V)	Nominal Cold Resistance (Ohms)	Voltage Drop (mv) MAX	Nominal Melting I ² t (A ² sec.)
UDE / UDE-A .500	500mA	500V	0.1795	850	0.9128
UDE / UDE-A .630	630mA		0.1369	650	1.6324
UDE / UDE-A .800	800mA		0.1029	500	2.7936
UDE / UDE-A 001	1A		0.0710	350	4.2017
UDE / UDE-A 1.25	1.25A		0.0551	300	8.3700
UDE / UDE-A 1.60	1.6A		0.0690	200	9.1332
UDE / UDE-A 002	2A		0.0521	190	9.8964
UDE / UDE-A 2.50	2.5A		0.0411	180	20.053
UDE / UDE-A 3.15	3.15A		0.0294	140	39.650
UDE / UDE-A 004	4A		0.0193	100	78.739
UDE / UDE-A 005	5A		0.0137	100	97.946
UDE / UDE-A 6.30	6.3A		0.0113	100	117.15
UDE / UDE-A 008	8A		0.0058	100	209.32
UDE / UDE-A 010	10A		0.0050	100	382.68
UDE / UDE-A 012	12A		0.0049	100	578.15
UDE / UDE-A 016	16A		0.0033	100	1049.2
UDE / UDE-A 020	20A	0.0024	100	1733.0	
UDE / UDE-A 025	25A	0.0016	100	4127.1	