

# GDA/GPA-A

5.2 $\varnothing$  x 20 mm

Time-Lag Fuse



## Agency Approvals

| Agency         | Ampere Rating     |
|----------------|-------------------|
| UL Listed      | 1A - 15A          |
| CSA Certified  | 1A - 12A          |
| CSA Acceptance | 12.1A - 15A       |
| PSE            | 5.1A - 15A (250V) |
| KTL            | 1.5A - 20A        |

## Interrupting Rating

|              |                           |
|--------------|---------------------------|
| 1A - 15A:    | 10,000 amperes at 125V AC |
| 1A:          | 35 amperes at 250V AC     |
| 1.1A - 3.5A: | 100 amperes at 250V AC    |
| 3.6A - 10A:  | 200 amperes at 250V AC    |
| 10.1A - 15A: | 750 amperes at 250V AC    |
| 15.1A - 20A: | 200 amperes at 250V AC    |

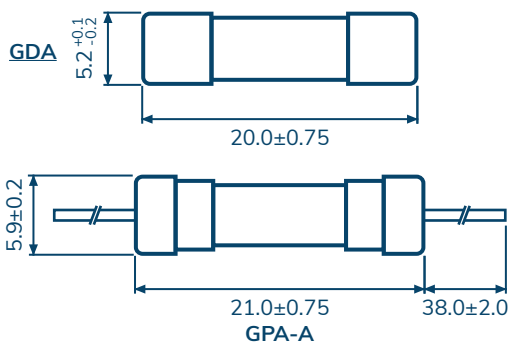
## Product Characteristics

|                              |   |
|------------------------------|---|
| <b>Operating Temperature</b> | -55 °C to 125 °C  |
| <b>Material</b>              | Body: Ceramic<br>Caps: Nickel Plated Brass  |
| <b>Leads Wire</b>            | $\varnothing$ 0.8 mm 14A and less.<br>$\varnothing$ 1.0 mm for rating above 15A to 19A.<br>$\varnothing$ 1.2 mm for rating above 20A. |

## Packaging

| Packaging Option     | Quantity                                     |
|----------------------|--|
| Bulk                 | GDA: 1,000 pcs / box<br>GPA-A: 500 pcs / box |
| On Axial Tape & Reel | 1,000 pcs / box                              |

## Mechanical Dimensions (mm)



## Electrical Characteristics

| Ampere Rating | Opening Time |         |       |         |
|---------------|--------------|---------|-------|---------|
|               | 1 In         | 1.35 In | 2 In  |         |
|               | MIN          | MAX     | MIN   | MAX     |
| 1A - 20A      | 4 hr         | 1 hr    | 2 sec | 120 sec |

| Catalog Number   | Ampere Rating (A) | Voltage Rating (V) | Nominal Cold Resistance (Ohms) | Nominal Melting I <sup>2</sup> t (A <sup>2</sup> sec.) |
|------------------|-------------------|--------------------|--------------------------------|--|
| GDA / GPA-A 001  | 1A                | 250V               | 0.1970                         | 1.1520   |
| GDA / GPA-A 1.25 | 1.25A             |                    | 0.1285                         | 2.3250   |
| GDA / GPA-A 1.50 | 1.5A              |                    | 0.0890                         | 4.4384   |
| GDA / GPA-A 1.60 | 1.6A              |                    | 0.0852                         | 5.2838   |
| GDA / GPA-A 002  | 2A                |                    | 0.0585                         | 10.656   |
| GDA / GPA-A 2.50 | 2.5A              |                    | 0.0872                         | 5.1183   |
| GDA / GPA-A 003  | 3A                |                    | 0.0615                         | 9.8370   |
| GDA / GPA-A 3.15 | 3.15A             |                    | 0.0607                         | 12.145   |
| GDA / GPA-A 004  | 4A                |                    | 0.0410                         | 24.023   |
| GDA / GPA-A 005  | 5A                |                    | 0.0344                         | 35.087   |
| GDA / GPA-A 006  | 6A                |                    | 0.0231                         | 48.413   |
| GDA / GPA-A 6.30 | 6.3A              |                    | 0.0221                         | 52.411   |
| GDA / GPA-A 007  | 7A                |                    | 0.0117                         | 61.740   |
| GDA / GPA-A 008  | 8A                |                    | 0.0104                         | 75.422   |
| GDA / GPA-A 010  | 10A               |                    | 0.0074                         | 174.02   |
| GDA / GPA-A 012  | 12A               |                    | 0.0057                         | 274.65   |
| GDA / GPA-A 015  | 15A               |                    | 0.0041                         | 534.24   |
| GDA / GPA-A 020  | 20A               |                    | 0.0028                         | 959.40   |

