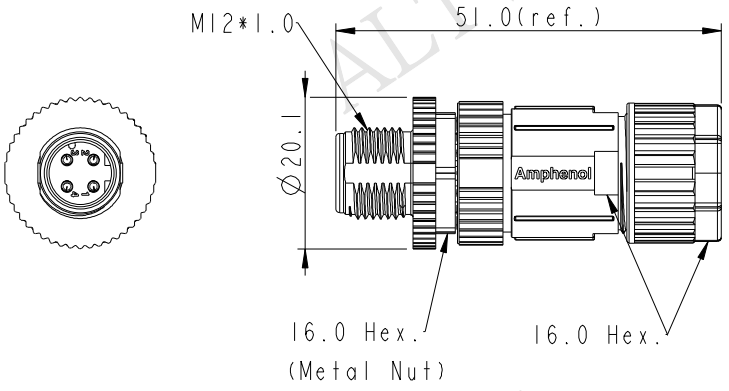
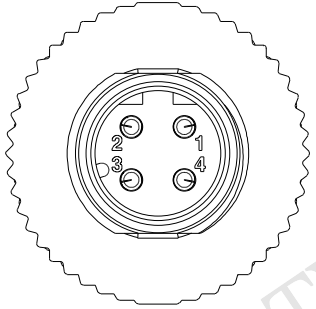
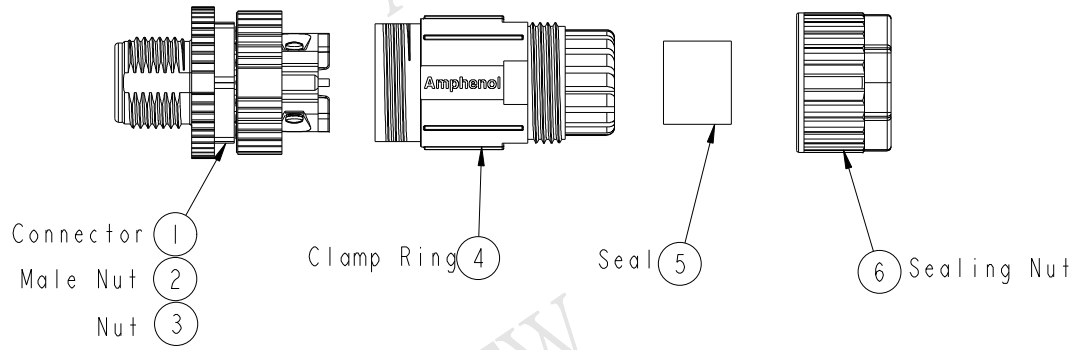


REV.	ECN NO.	DATE	SIGN	DESCRIPTION
A	Initial Release	2015/10/12	Mila	Change Rev. I To Rev.A

ALTW
CONFIDENTIAL
 2015-10-12
 R&D DEPT.

ALTW
 DCC. DEPT.
 CONFIDENTIAL
 2015.10.28
 ISSUED



UNIT:mm
 TOLERANCE
 ±0.5mm

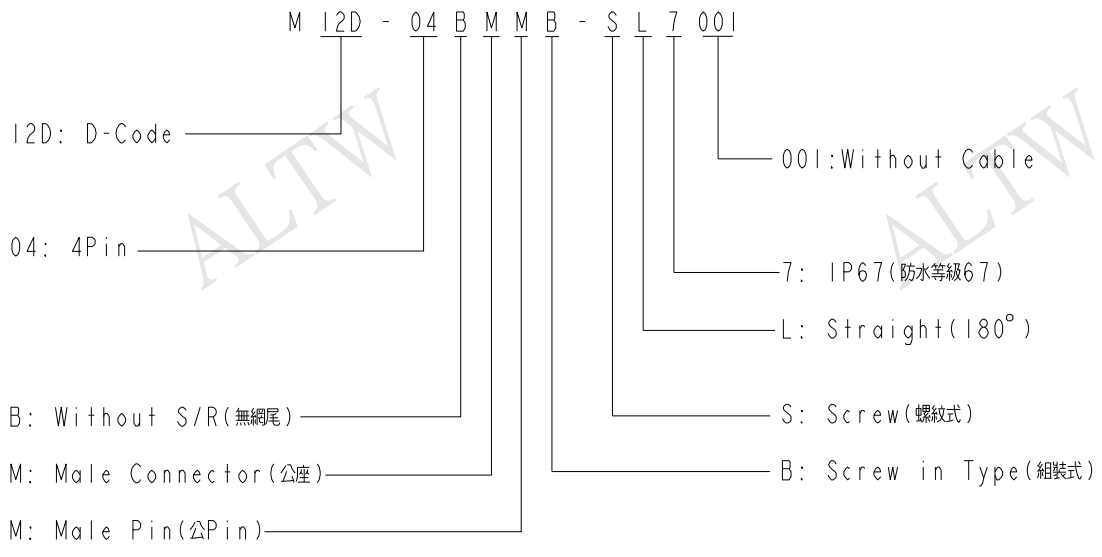
TITLE M12 D-Code Unshielded Assy 4PIN M Conn M Pin			
SCALE 1:1	SIZE A4	SHEET 1 OF 2	
REV. A	WC-REV. A.2	QC: Inspection item	

Amphenol LTW
 安費諾亮泰企業股份有限公司

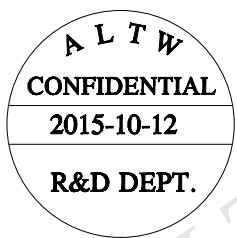
ITEM NO. M12D-04BMMB-SL7001	DRAWN BY Mila	DATE 2015-10-12
DWG NO. M12D-04BMMB-SL7001	CHECKED BY Cary	DATE 2015-10-12
CUSTOMER ALTW	APPROVED BY Jerry	DATE 2015-10-12

THIS DOCUMENT IS SUBJECT TO CHANGE WITHOUT NOTICE. IT IS CONFIDENTIAL AND A PROPERTY OF Amphenol LTW. DISCLOSURE TO THIRD PARTY HAS TO BE AUTHORIZED BY Amphenol LTW.

THIS DOCUMENT IS SUBJECT TO CHANGE WITHOUT NOTICE. IT IS CONFIDENTIAL AND A PROPERTY OF AMPHENOL LTW. DISCLOSURE TO THIRD PARTY HAS TO BE AUTHORIZED BY AMPHENOL LTW.



- Note:
- * \varnothing Important Dimension To Check.
 - * Waterproof Rate: IP67
 - * Housing: Nylon,Black
 - * Male Pin: Copper Alloy, Gold Plated
 - * Male Nut: Zinc Alloy, Nickel Plated
 - * Nut: PBT+PC,Black
 - * O-Ring: Silicon,Grey
 - * Clamp Ring: Nylon,Black
 - * Sealing Nut: PBT+PC,Black
 - * Seal: Silicon,Grey
 - * Seal For Cable OD: $\varnothing 4.0\text{mm} \sim \varnothing 8.0\text{mm}$
 - * Screws for Wire connection recommended
tightening torque: 0.61~0.84 kgf.cm / 0.059~0.082 N.m
 - * Applicable Wire gauge (Stranded wire cross section)
0.14mm² (26AWG) ~ 0.82mm² (18AWG)
 - * Mating Recommended tightening torque:
3~4 kgf.cm / 0.29~0.39 N.m
 - * Sealing-Nut Recommended tightening torque:
4~6 kgf.cm / 0.39~0.59 N.m
 - * Detailed applicable wire specifications may vary
depending on the actual wire construction.



UNIT:mm		TITLE		ITEM NO		DRAWN BY		DATE	
		MI2 D-Code Unshielded Assy 4Pin M Conn M Pin		M12D-04BMMB-SL7001		Mila		2015-10-12	
		SCALE 1:1		SIZE A4		SHEET 2 OF 2		CHECKED BY	
TOLERANCE		REV. A		WC-REV. A.2		CARY		2015-10-12	
±0.5mm		QC: Inspection item		CUSTOMER		APPROVED BY		DATE	
				ALTW		Jerry		2015-10-12	

Amphenol LTW
安費諾亮泰企業股份有限公司