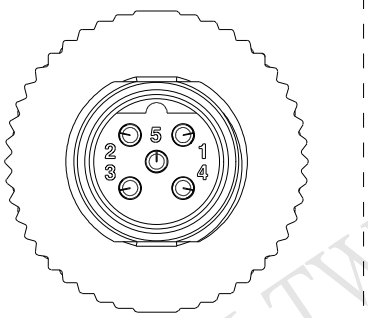
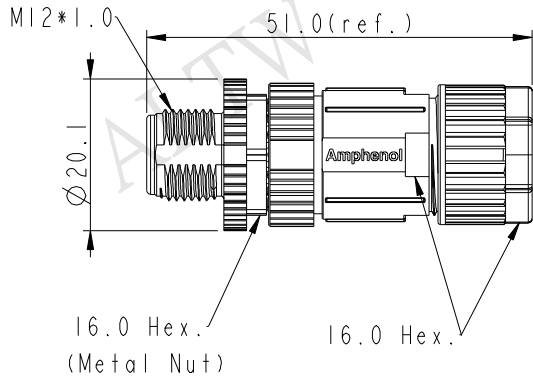
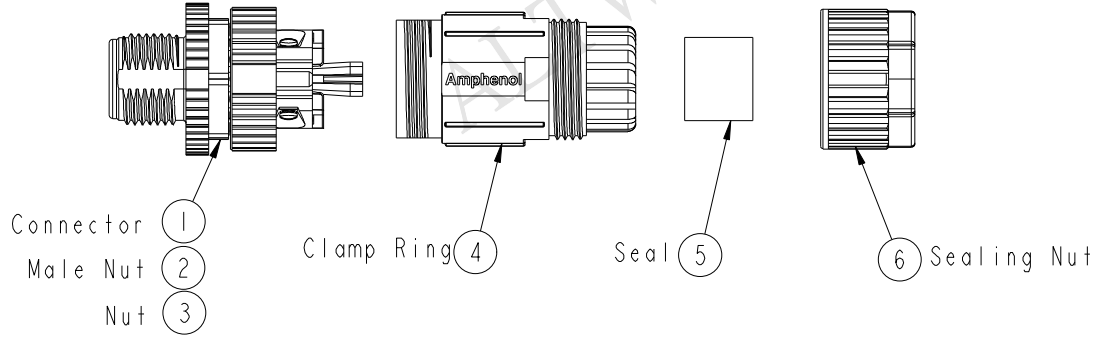


REV.	ECN NO.	DATE	SIGN	DESCRIPTION
A	Initial Release	2015/10/09	Mila	Change Rev. I To Rev.A

ALTW
CONFIDENTIAL
2015-10-09
R&D DEPT.

ALTW
DCC. DEPT.
CONFIDENTIAL
2015.10.28
ISSUED

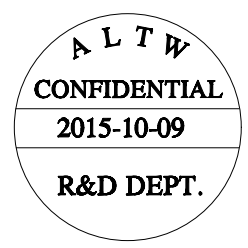
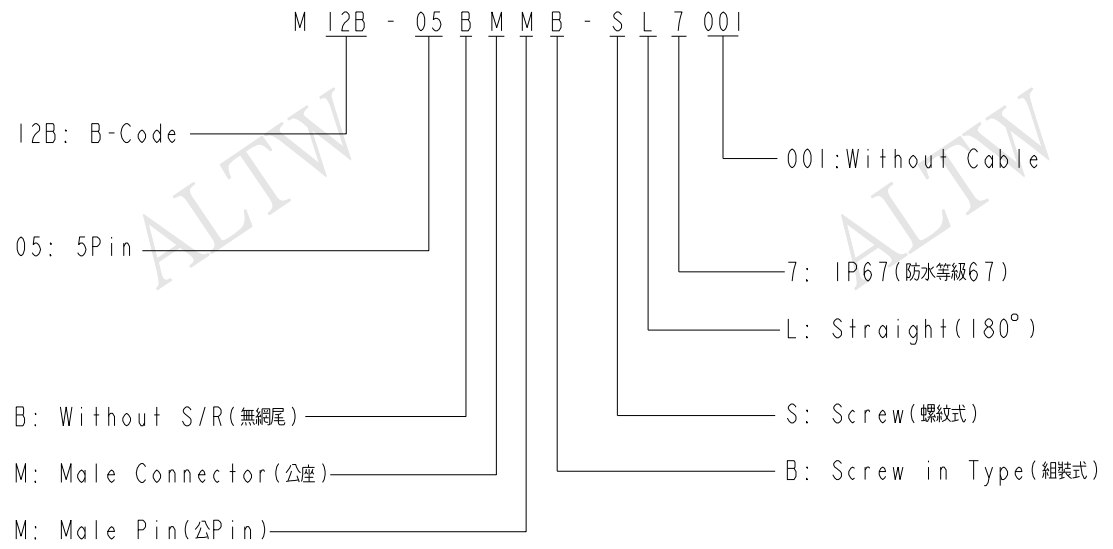
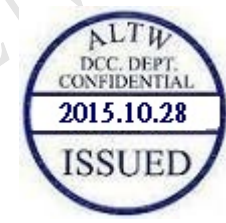


Pin Assignments
Front View

UNIT:mm TOLERANCE ±0.5mm	TITLE M12 B-Code Unshielded Assy 5PIN M Conn M Pin			Amphenol LTW 安費諾亮泰企業股份有限公司	ITEM NO M12B-05BMMB-SL7001	DRAWN BY Mila	DATE 2015-10-09
	SCALE 1:1	SIZE A4	SHEET 1 OF 2		DWG NO M12B-05BMMB-SL7001	CHECKED BY Cary	DATE 2015-10-09
	REV. A	WC-REV. A.2	QC: Inspection item		CUSTOMER ALTW	APPROVED BY Jerry	DATE 2015-10-09

THIS DOCUMENT IS SUBJECT TO CHANGE WITHOUT NOTICE. IT IS CONFIDENTIAL AND A PROPERTY OF Amphenol LTW. DISCLOSURE TO THIRD PARTY HAS TO BE AUTHORIZED BY Amphenol LTW.

THIS DOCUMENT IS SUBJECT TO CHANGE WITHOUT NOTICE. IT IS CONFIDENTIAL AND A PROPERTY OF AMPHENOL LTW. DISCLOSURE TO THIRD PARTY HAS TO BE AUTHORIZED BY AMPHENOL LTW.



- Note:
- * \varnothing Important Dimension To Check.
 - * Waterproof Rate: IP67
 - * Housing: Nylon, Black
 - * Male Pin: Copper Alloy, Gold Plated
 - * Male Nut: Zinc Alloy, Nickel Plated
 - * Nut: PBT+PC, Black
 - * O-Ring: Silicon, Grey
 - * Clamp Ring: Nylon, Black
 - * Sealing Nut: PBT+PC, Black
 - * Seal: Silicon, Grey
 - * Seal For Cable OD: $\varnothing 4.0\text{mm} \sim \varnothing 8.0\text{mm}$
 - * Screws for Wire connection recommended tightening torque: 0.61~0.84 kgf.cm / 0.059~0.082 N.m
 - * Applicable Wire gauge (Stranded wire cross section) 0.14mm² (26AWG) ~ 0.82mm² (18AWG)
 - * Mating Recommended tightening torque: 3~4 kgf.cm / 0.29~0.39 N.m
 - * Sealing-Nut Recommended tightening torque: 4~6 kgf.cm / 0.39~0.59 N.m
 - * Detailed applicable wire specifications may vary depending on the actual wire construction.

A	UNIT: mm		TITLE M12 B-Code Unshielded Assy 5PIN M Conn M Pin		ITEM NO M12B-05BMMB-SL7001		DRAWN BY Mila	DATE 2015-10-09
	TOLERANCE $\pm 0.5\text{mm}$		SCALE 1:1	SIZE A4	SHEET 2 OF 2	DWG NO M12B-05BMMB-SL7001	CHECKED BY Cary	DATE 2015-10-09
			REV. A	WC-REV. A.2	\varnothing : Inspection item	CUSTOMER ALTW	APPROVED BY Jerry	DATE 2015-10-09
<h2 style="margin: 0;">Amphenol LTW</h2> <p style="margin: 0;">安費諾亮泰企業股份有限公司</p>					8 FMM10702-01-02A1			