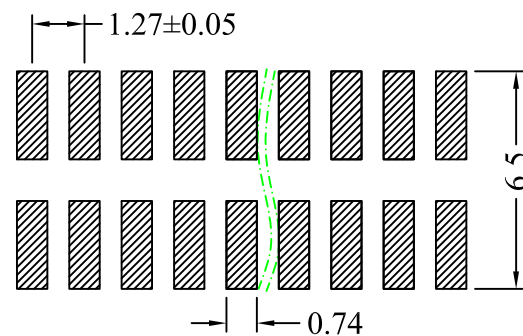
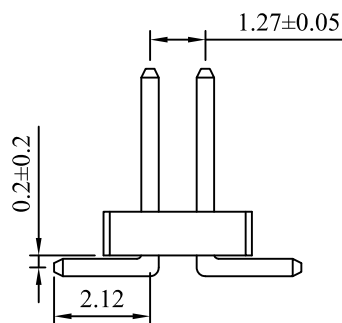
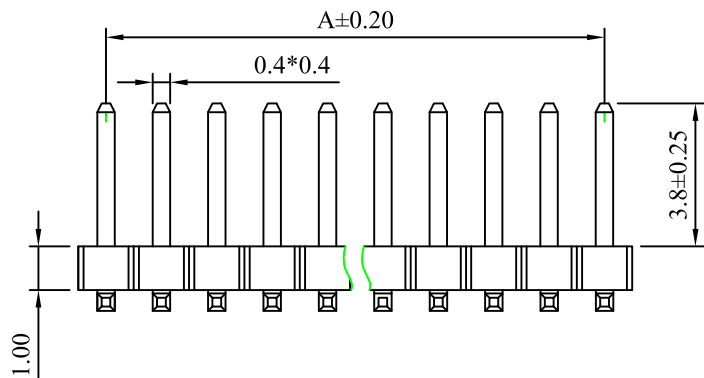
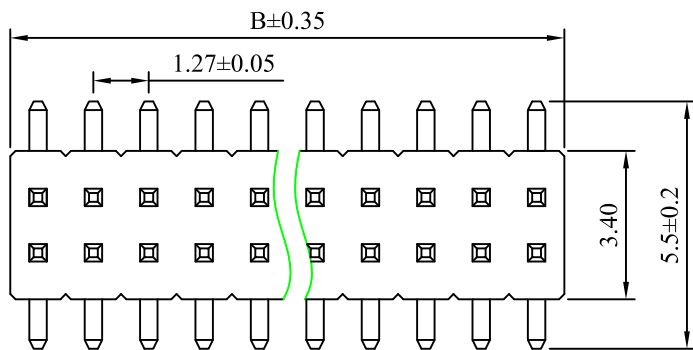


No. of Pin/Row	Dimension	
	A	B
02	1.27	2.54
03	2.54	3.81
04	3.81	5.08
05	5.08	6.35
06	6.35	7.62
07	7.62	8.89
08	8.89	10.16
09	10.16	11.43
10	11.43	12.70
11	12.70	13.97
12	13.97	15.24
13	15.24	16.51
14	16.51	17.78
15	17.78	19.05
16	19.05	20.32
17	20.32	21.59
18	21.59	22.86
19	22.86	24.13
20	24.13	25.40
21	25.40	26.67
22	26.67	27.94
23	27.94	29.21
24	29.21	30.48
25	30.48	31.75
26	31.75	33.02
27	33.02	34.29
28	34.29	35.56
29	35.56	36.83
30	36.83	38.10
31	38.10	39.37
32	39.37	40.64
33	40.64	41.91
34	41.91	43.18
35	43.18	44.45
36	44.45	45.72
37	45.72	46.99
38	46.99	48.26
39	48.26	49.53
40	49.53	50.80
41	50.80	52.07
42	52.07	53.34
43	53.34	54.61
44	54.61	55.88
45	55.88	57.15
46	57.15	58.42
47	58.42	59.69
48	59.69	60.96
49	60.96	62.23
50	62.23	63.50



P.C.B Hole Layout

SPECIFICATIONS

Insulator Material: Polyester (UL94V-0)
 Current Rating: 1AMP
 Contact Resistance: 20MΩ Max
 Insulation Resistance: 500mΩ min
 Withstanding Voltage: AC 300V
 Contact Material: Brass
 Standard: Nylon-9T
 Contact Plating: Gold/Tin Over Nickel
 Operating Temperature: -40° C+105° C
 Max. Processing Temp: 240° C for 30-60seconds
 (260° C for 10seconds)

Part No.: PZ127VS-12-xx-H10-A38

Pin位数

AO	VER	MODIFICATION	DRAW	DATE
----	-----	--------------	------	------

TOLERANCE UNLESS OTHERWISE

X.	±0.30	X°	±5°
.X	±0.20	.X°	±2°
.XX	±0.08	.XX°	±1°
.XXX	±0.03	.XXX°	±0.5°

DRAWN

CHKD

APPD

VIEW



XFCN 兴飞连接器有限公司
 XFCN CONNECTORS CO.,LTD.

PRODUCT NAME: 1.27mm Pin Header Connectors

PART. NO.: PZ127VS-12-xx-H10-A38

SHEET: 1/1

DATE: 2020.04.12

UNITS: mm

SCALE: 1:1

DWG. NO.: 009