

NOTE:

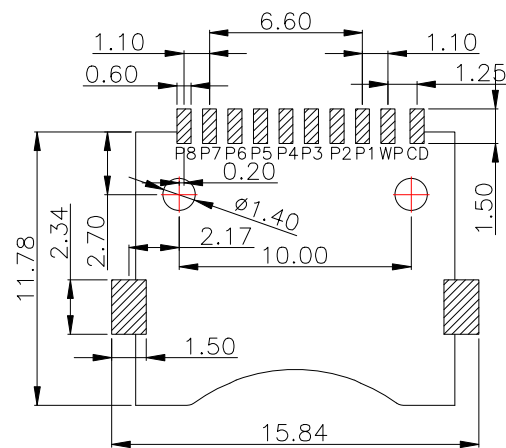
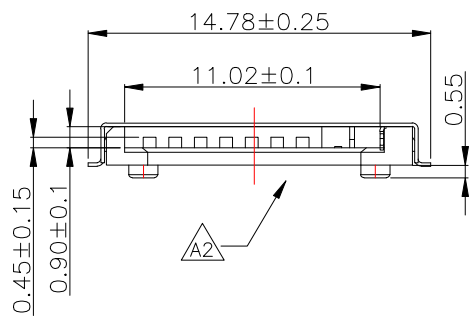
1.MATERIAL:

- 1.1 INSULATOR:LCP UL 94V-0,BLACK
- 1.2 CONTACT:C5191;30u" MIN NICKEL UNDERPALTED OVERALL 80u"MIN Tin PLATED ON SOLDER AREA G/F PALTED ON CONTACT AREA
- 1.3 SHELL:C2680,50u" Ni PALTED OVERALL

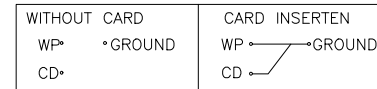
2.ELECTRICAL CHARACTERISTICS;

- 2.1 CONTACTRESISTANCE:100mΩ MAX.
- 2.2 CONTACT CURRENT RATING:0.5A
- 2.3 DIELECTRIC WITHSTANDING VOLTAGE:500 V R.M.S.
- 2.4 INSULATION RESISTANCE 1000 MΩ MIN.
- 2.5 OPERATING TEMPERATURE:-40°C ~ 85°C

Pin No.	NAME
1	DAT2
2	CD/DAT3
3	CMD
4	VDD
5	CLK
6	VSS
7	DAT0
8	DAT1



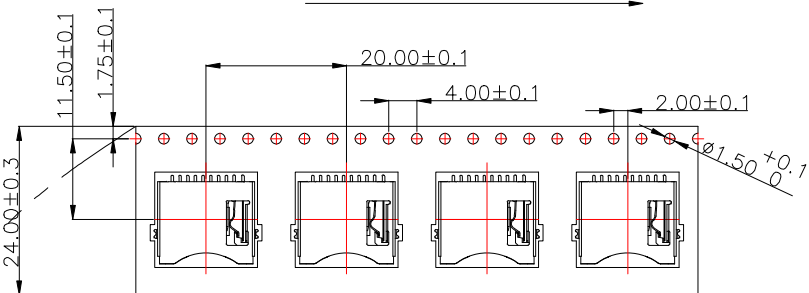
Recommended P.C.B Layout(Top Side)



MANUFACTURE DWG		 东莞市讯普电子科技有限公司 DongGuan XunPu Electronics Co.,Ltd	
UNLESS OTHERWISE SPECIFIED TOLERANCES		TITLE: T-F 简易卡座无卷边	
DECIMALS:	ANGLES:	PAR	TF-124-ACP10
.X:±0.38	.X':±2°	DWN	
.XX:±0.25	.X':±1°	CHKD	
.XXX:±0.15	.XX':±0.5°	APVD	
CUSTOMER COPY		SCALE1:1	UNIT:MM
		SIZE:A4	SHEET:1F1
			REV:A

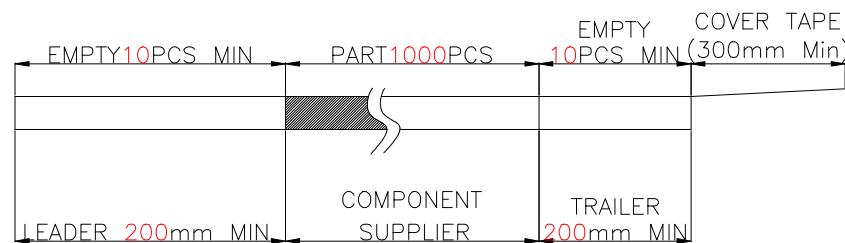
MAPX	MODIFICATION	DATE	DRAW	APPROVE

User Direction of Unreeling



NOTES

1. NUMBER OF CONNECTORS: 1000PCS/REEL
2. LEAD TAPE LENGTH

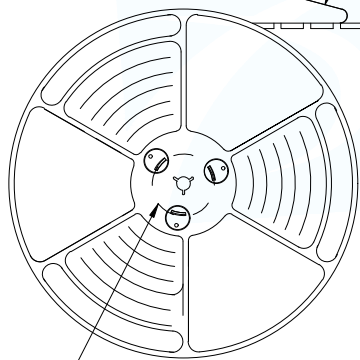
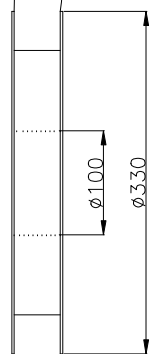


3. QUANTITY: 10000PCS/CARTON

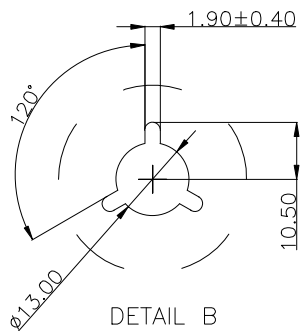
COVER TAPE PEELING ANGLE: 165°~180°
PEELING FORCE: 20~130g

CARRIER TAPE

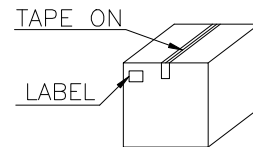
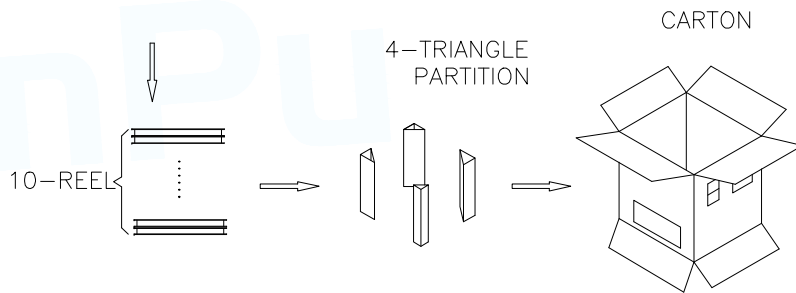
User Direction of Unreeling



DETAIL B



DETAIL B



MANUFACTURE DWG		 东莞市讯普电子科技有限公司 DongGuan XunPu Electronics Co.,Ltd	TITLE:	
UNLESS OTHERWISE SPECIFIED TOLERANCES			T-F 简易卡座无卷边	
DECIMALS:	ANGLES:	PAR	TF-124-ACP10	
.X:±0.38	.X':±2°	DWN		
.XX:±0.25	.X'':±1°	CHKD		
.XXX:±0.15	.XX':±0.5°	APVD		
CUSTOMER COPY		SCALE:1:1	UNIT:MM	⊕ ◁
		SIZE:A4	SHEET:1F1	REV:A

