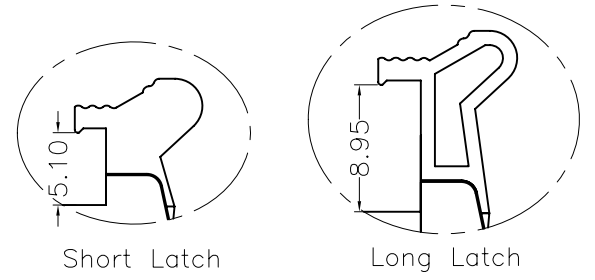
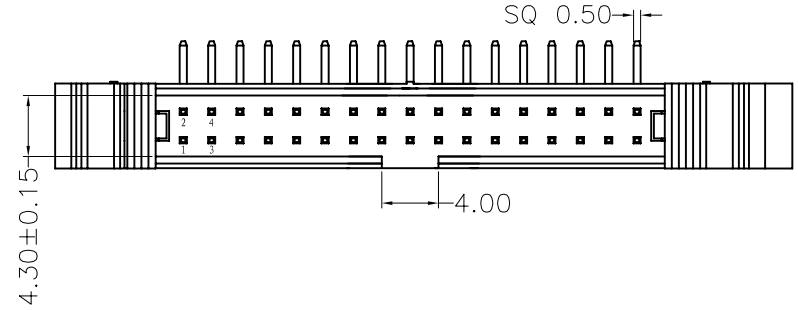
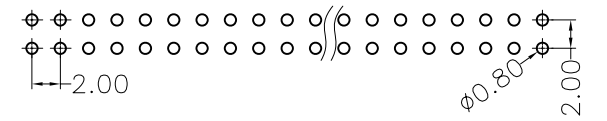


REV.	ECN. NO.	APPD.
A		

NOTES:
 Current Rating:1.5AMP
 Contact Resistance:20mΩ max
 Withstand Voltage:500V AC/DC
 Insulation Resistance:1000MΩ min
 Operation Temperature:-40°C to +105°C

Contact Material:Brass
 Contact plating:Au or Sn Over Ni
 Insulator Material:PA6T+30%GF(UL94V-0)
 Contact plated:Gold Flash

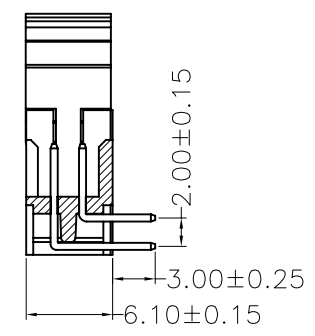
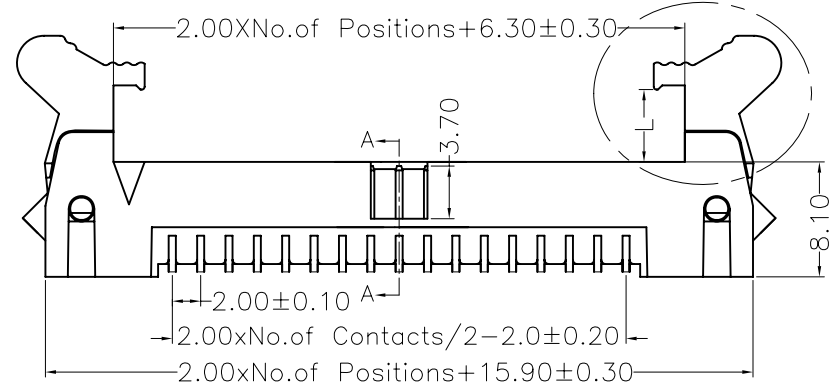
Recommended P.C.B Layout(Top Side)
 (PCB BOARD TOLERANCE±0.05)



Ordering Information

MTE220- XX R X

No. of Pins	Latch Type
06 24	L=Long Latch
08 26	S=Short Latch
10 30	N=Without Latch
12 34	
14 40	
16 50	
18 60	
20 64	



SECTION A-A

X. ± 0.30	X.° ± 5°	UNITS mm	NAME (INTENDED USE)	MINTRON CO.,LTD.
.X ± 0.20	.X° ± 2°	MAT'L	PART NO. (INTENDED USE)	
.XX ± 0.10	.XX° ± 1°	FINISH	APPD: SUNNY	TITLE: MTE220-XXRL
.XXX ± 0.05	.XXX° ± 0.5°		Q'TY	CHKD: LISA
EJECTOR HEADER CONNECTOR			DR: ZOE	2006-11-28