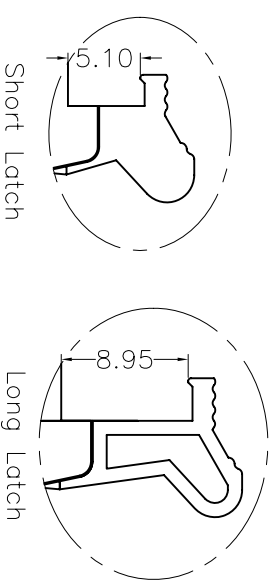
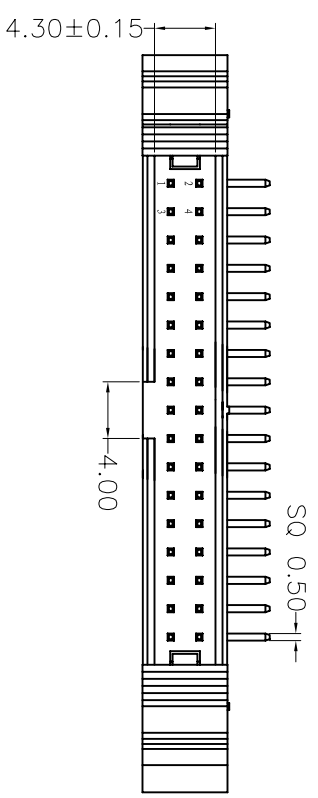
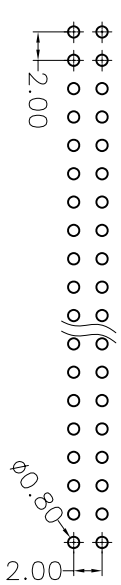


|      |          |       |
|------|----------|-------|
| REV. | ECN. NO. | APPD. |
| A    |          |       |

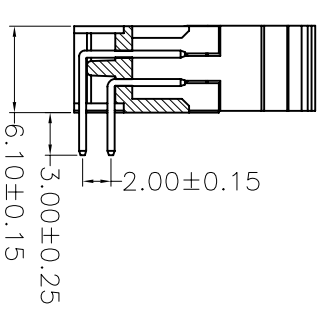
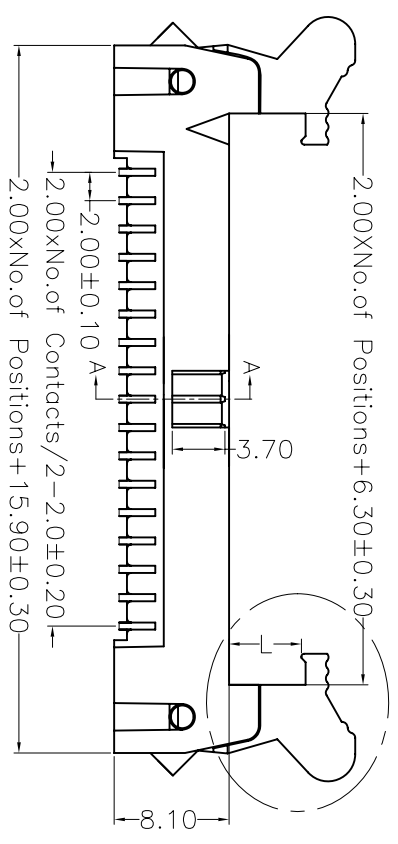
Recommended P.C.B Layout(Top Side)  
(PCB BOARD TOLERANCE±0.05)



## Ordering Information

### MTE220-XX R X

| No. of Pins | Latch Type      |
|-------------|-----------------|
| 06 24       | L=Long Latch    |
| 08 26       | S=Short Latch   |
| 10 30       | N=Without Latch |
| 12 34       |                 |
| 14 40       |                 |
| 16 50       |                 |
| 18 60       |                 |
| 20 64       |                 |



SECTION A-A

|                          |             |          |                        |                    |           |           |        |
|--------------------------|-------------|----------|------------------------|--------------------|-----------|-----------|--------|
| X. ±0.30                 | X° ±5°      | UNITS mm | NAME/(INTENDED USE)    | MINTRON CO.,LTD.   |           |           |        |
| X ±0.20                  | X° ±2°      | MAT'L    | PART NO.(INTENDED USE) |                    |           |           |        |
| XX ±0.10                 | XX° ±1°     | FINISH   | APPD: SUNNY            | TITLE: MTE220-XXRL |           |           |        |
| .XXX ±0.05               | .XXX° ±0.5° |          | QTY                    | CHKD: USA          | DWG NO.:  |           |        |
| EJECTOR HEADER CONNECTOR |             |          | DR: ZOE                | 2006-11-28         | SCALE 1/1 | SHEET 1/1 | REV. A |