

■ DESCRIPTION

The 4407A is the P-Channel logic enhancement mode power field effect transistor is produced using high cell density advanced trench technology..

This high density process is especially tailored to minimize on-state resistance.

This device is suitable for use as a load switch or in PWM and gate charge for most of the synchronous buck converter applications

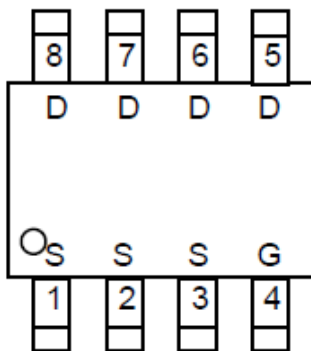
■ FEATURE

- ◆ **-30V/-13A, $R_{DS(ON)} = 9\text{ m}\Omega$ (typ.)@ $V_{GS} = -10\text{V}$**
- ◆ **-30V/-7.0A, $R_{DS(ON)} < 14.5\text{ m}\Omega$ (typ.)@ $V_{GS} = -4.5\text{V}$**
- ◆ Super high design for extremely low $R_{DS(ON)}$
- ◆ Exceptional on-resistance and Maximum DC current capability
- ◆ Full RoHS compliance
- ◆ SOP8 package design

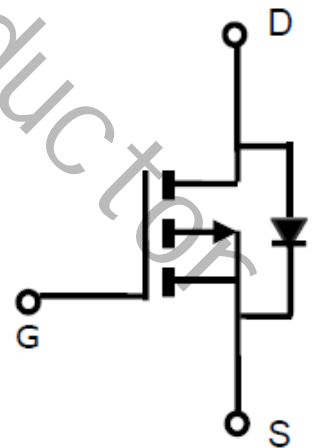
■ APPLICATIONS

- ◆ High Frequency Point-of-Load Synchronous Buck Converter for MB/NB/UMPC/GA
- ◆ Newworking DC-DC Power System
- ◆ Load Switch
- ◆ Power Management in Note Book

■ PIN CONFIGURATION



TOP VIEW
SOP-8



P-Channel

ORDERING INFORMATION

Part Number	Package Code	Package	Shipping
AO4407A	4407A	SOP8	3000EA / T&R

※ Year Code : 0~9

※ Week Code : A~Z(1-26); a~z(27~52)

※ G : Green Product. This product is RoHS compliant.

ABSOLUTE MAXIMUM RATINGS ($T_A = 25^\circ\text{C}$ Unless otherwise noted)

Symbol	Parameter	Typical	Unit
V_{DSS}	Drain-Source Voltage	-30	V
V_{GSS}	Gate-Source Voltage	± 20	V
I_D	Continuous Drain Current ($T_A=25^\circ\text{C}$)	$V_{GS}=10\text{V}$	-13
	Continuous Drain Current ($T_A=70^\circ\text{C}$)		-9.5
I_{DM}	Pulsed Drain Current	-40	A
I_S	Continuous Source Current (Diode Conduction)	-2.0	A
P_D	Power Dissipation	$T_A=25^\circ\text{C}$	2.0
		$T_A=70^\circ\text{C}$	1.5
T_J	Operation Junction Temperature	150	$^\circ\text{C}$
T_{STG}	Storage Temperature Range	-55~+150	$^\circ\text{C}$
$R_{\theta JA}$	Thermal Resistance Junction to Ambient	85	$^\circ\text{C/W}$

Note: Absolute maximum ratings are those values beyond which the device could be permanently damaged. Absolute maximum ratings are stress rating only and functional device operation is not implied

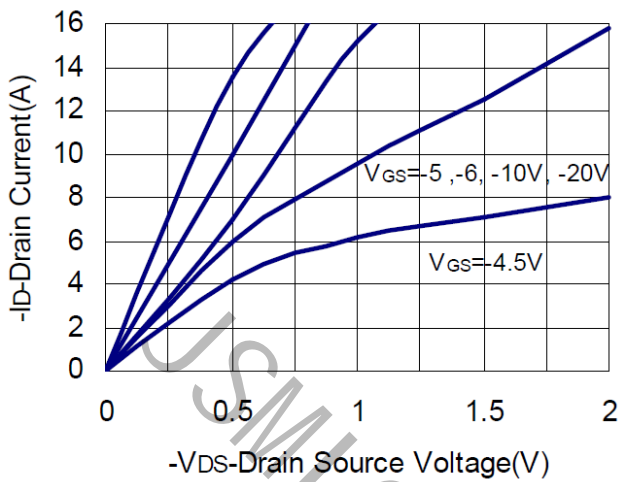
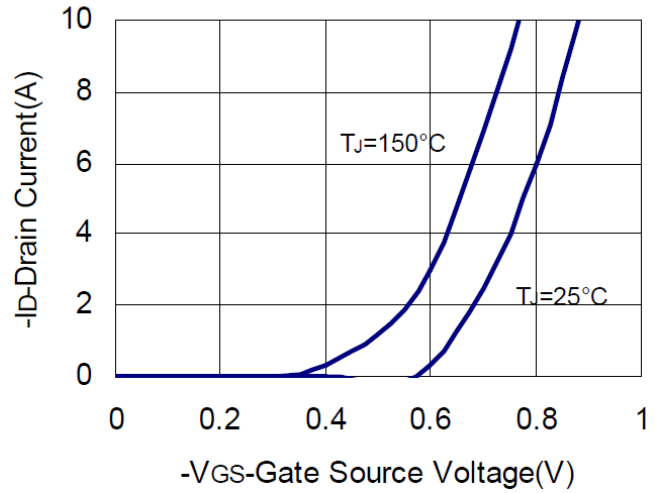
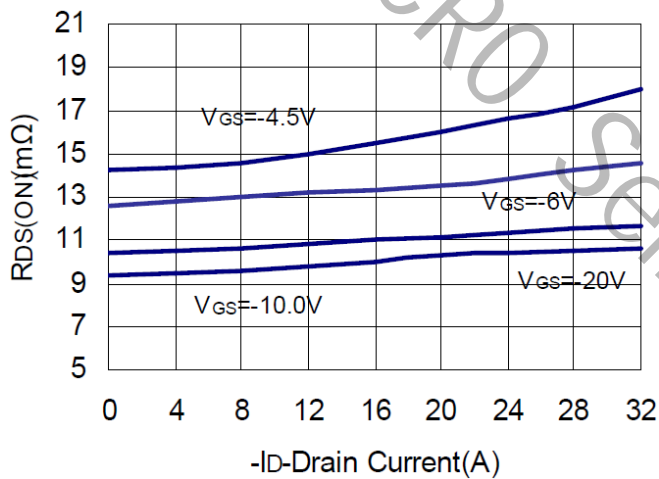
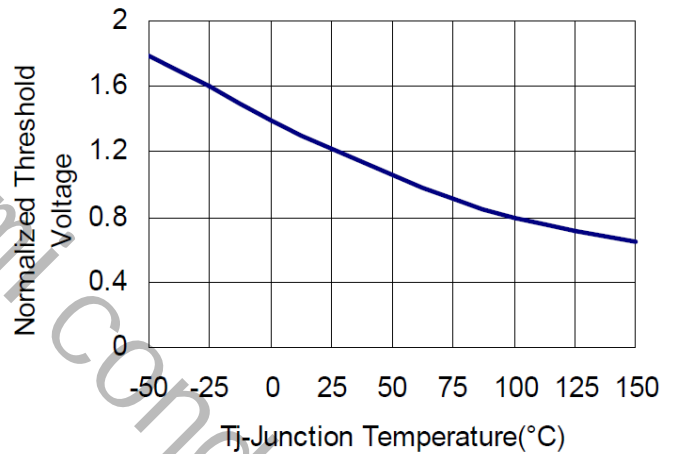
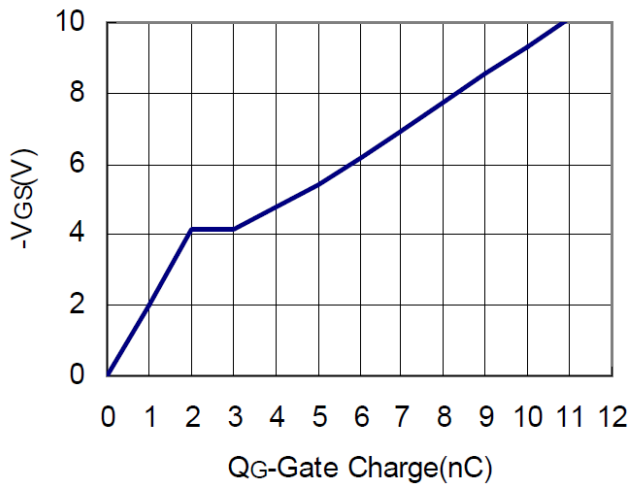
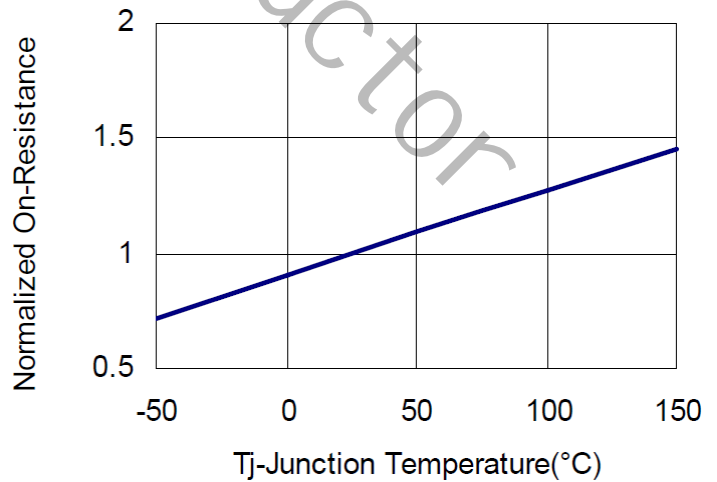
ELECTRICAL CHARACTERISTICS ($T_A=25^\circ\text{C}$ Unless otherwise noted)

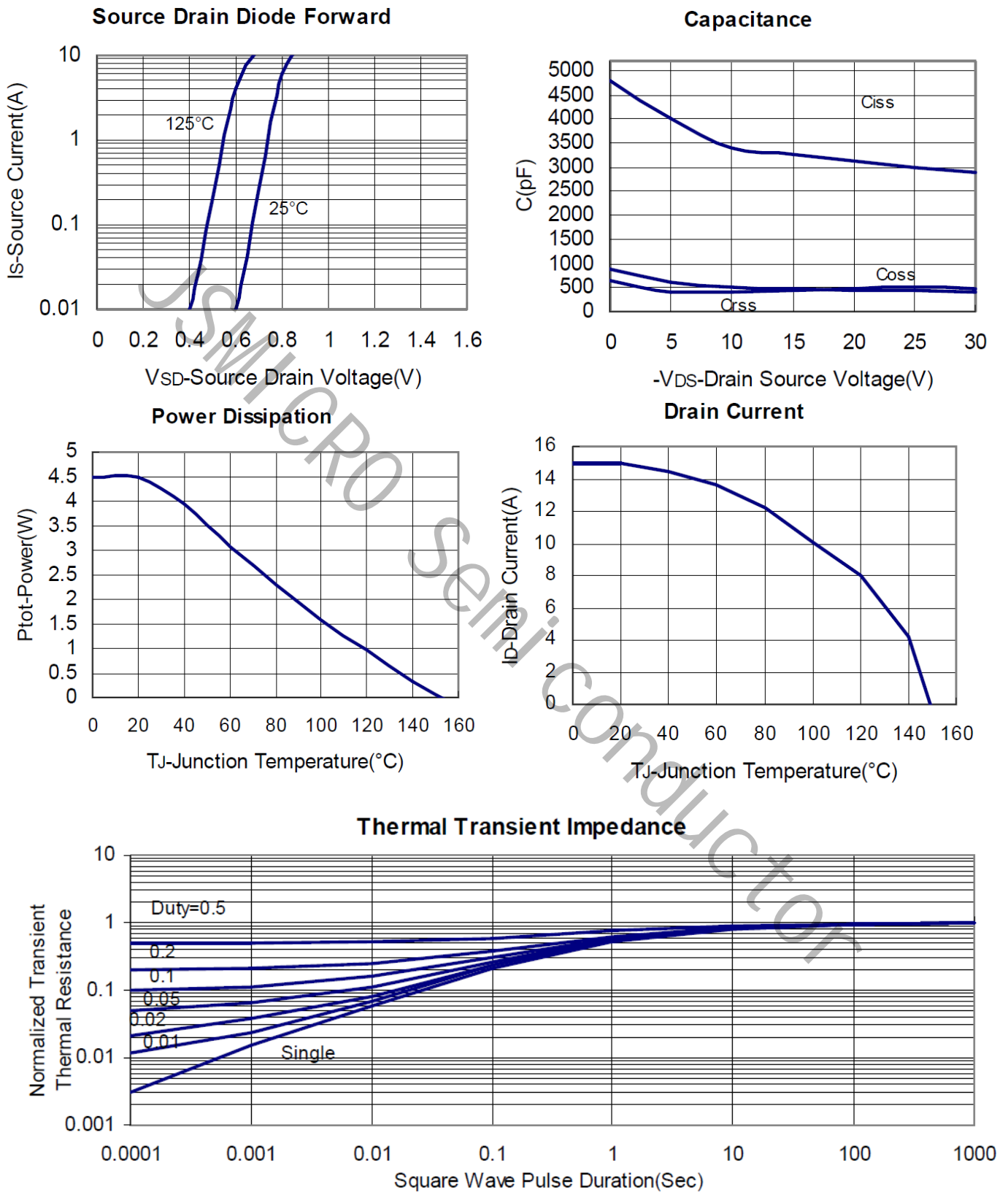
Symbol	Parameter	Condition	Min	Typ	Max	Unit
Static Parameters						
$V_{(BR)DSS}$	Drain-Source Breakdown Voltage	$V_{GS}=0V, I_D=-250\mu A$	-30			V
$V_{GS(th)}$	Gate Threshold Voltage	$V_{DS}=V_{GS}, I_D=-250\mu A$	-1.0	-1.4	-2.0	V
I_{GSS}	Gate Leakage Current	$V_{DS}=0V, V_{GS}=\pm 25V$			± 100	nA
I_{DSS}	Zero Gate Voltage Drain Current	$V_{DS}=-30V, V_{GS}=0$			-1	uA
		$V_{DS}=-30V, V_{GS}=0$ $T_J=55^\circ C$			-5	
$R_{DS(on)}$	Drain-Source On-Resistance	$V_{GS}=-10V, I_D=-10A$		9	13	m Ω
		$V_{GS}=-4.5V, I_D=-7.0A$		14.5	17	
Source-Drain Diode						
V_{SD}	Diode Forward Voltage	$I_S=-2.3A, V_{GS}=0V$		-0.75	-1.0	V
Dynamic Parameters						
Q_g	Total Gate Charge	$V_{DS}=-15V$ $V_{GS}=-4.5V$ $I_D=-10A$		30	42	nC
Q_{gs}	Gate-Source Charge			10	14	
Q_{gd}	Gate-Drain Charge			10.4	14.6	
C_{iss}	Input Capacitance	$V_{DS}=-15V$ $V_{GS}=0V$ $f=1MHz$		2050	2730	pF
C_{oss}	Output Capacitance			506	710	
C_{rss}	Reverse Transfer Capacitance			420	590	
$T_{d(on)}$	Turn-On Time	$V_{DS}=-15V$ $I_D=-10A$		9.3	19	nS
T_r				10.2	18	
$T_{d(off)}$	Turn-Off Time	$V_{GEN}=-10V$ $R_G=3.3\Omega$		117	232	
T_f				24	46	

Note: 1. Pulse test: pulse width \leq 300uS, duty cycle \leq 2%

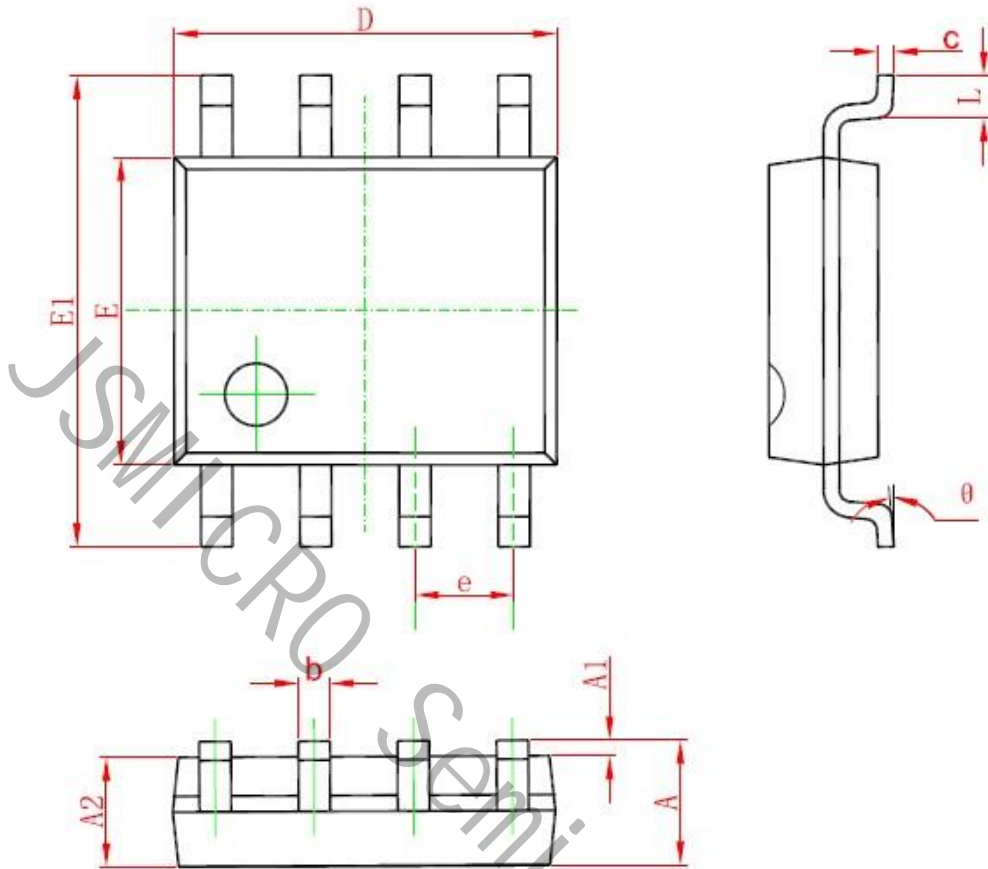
2.Static parameters are based on package level with recommended wire bonding

■ **TYPICAL CHARACTERISTICS (25 $^\circ C$ Unless Note)**

Output Characteristics

Transfer Characteristics

Drain Source On Resistance

Gate Threshold Voltage

Gate Charge

Drain Source Resistance

■ TYPICAL CHARACTERISTICS (continuous)



■ SOP8 PACKAGE OUTLINE DIMENSIONS

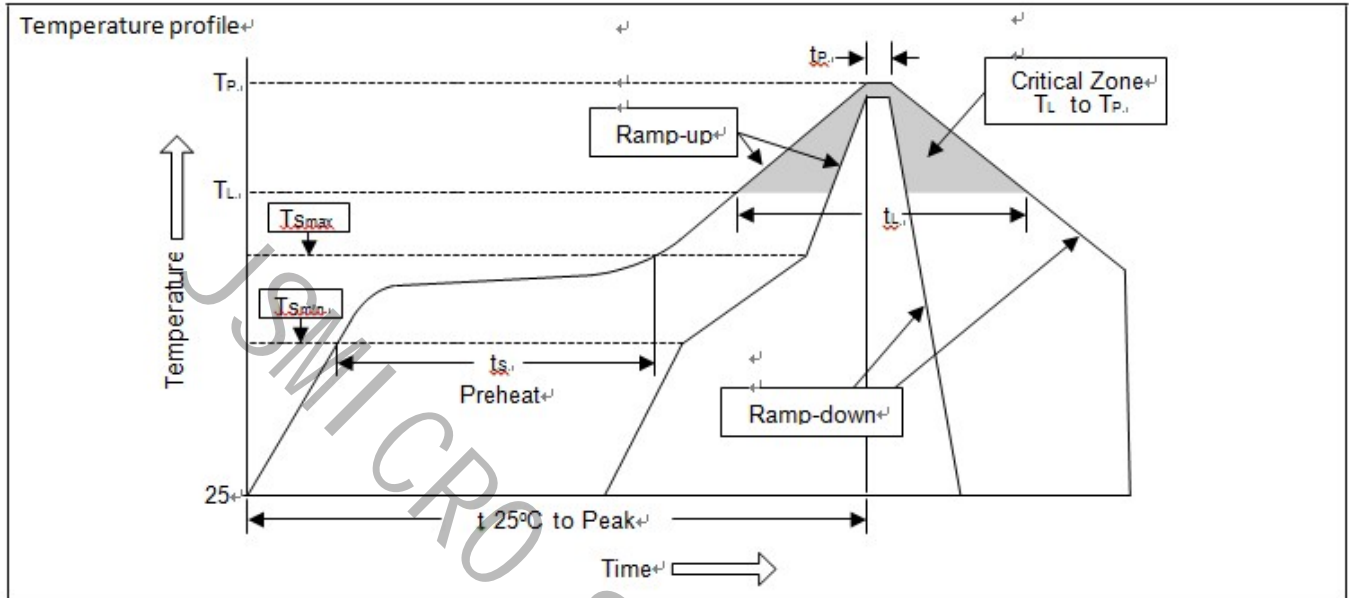


Symbol	Dimensions In Millimeters		Dimensions In Inches	
	Min	Max	Min	Max
A	1.350	1.750	0.053	0.069
A1	0.100	0.250	0.004	0.010
A2	1.350	1.550	0.053	0.061
b	0.330	0.510	0.013	0.020
c	0.170	0.250	0.006	0.010
D	4.700	5.100	0.185	0.200
E	3.800	4.000	0.150	0.157
E1	5.800	6.200	0.228	0.244
e	1.270 (BSC)		0.050 (BSC)	
L	0.400	1.270	0.016	0.050
θ	0°	8°	0°	8°

■ **SOLDERING METHODS FOR UNIVERCHIP**

Storage environment Temperature=10°C~35°C Humidity=65%±15%

Reflow soldering of surface mount device



Profile Feature	Sn-Pb Eutectic Assembly	Pb free Assembly
Average ramp-up rate (T_L to T_P)	<3°C/sec	<3°C/sec
Preheat		
-Temperature Min (T_{Smin})	100°C	150°C
-Temperature Max (T_{Smax})	150°C	200°C
-Time (min to max) (t_s)	60~120 sec	60~180 sec
T_{Smax} to T_L		
-Ramp-up Rate	<3°C/sec	<3°C/sec
Time maintained above		
-Temperature (T_L)	183°C	217°C
-Time (t_L)	60~150 sec	60~150 sec
Peak Temperature (T_P)	240°C+0/-5°C	260°C+0/-5°C
Time within 5°C of actual Peak Temperature (t_p)	10~30 sec	20~40 sec
Ramp-down Rate	<6°C/sec	<6°C/sec
Time 25°C to Peak Temperature	<6 minutes	<6 minutes

Flow (wave) soldering (solder dipping)

Product	Peak Temperature	Dipping Time
---------	------------------	--------------

Pb device	245°C±5°C	5sec±1sec
Pb-Free device	260°C+0/-5°C	5sec±1sec



This integrated circuit can be damaged by ESD. UniverChip Corporation recommends that all integrated circuits be handled with appropriate precautions. Failure to observe proper handling and installation procedure can cause damage. ESD damage can range from subtle performance degradation to complete device failure. Precision integrated circuits may be more susceptible to damage because very small parametric changes could cause the device not to meet its published specifications.

JSMICRO Semi conductor