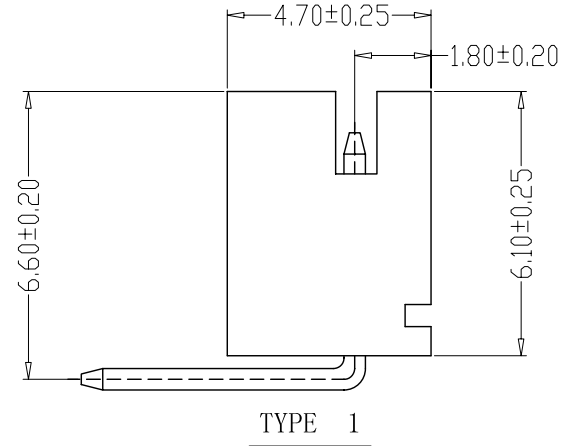
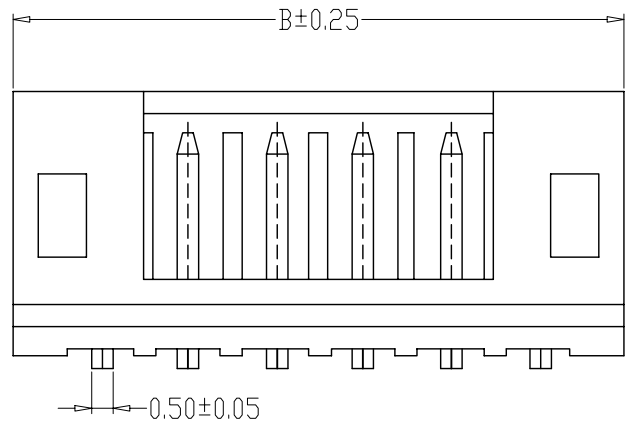
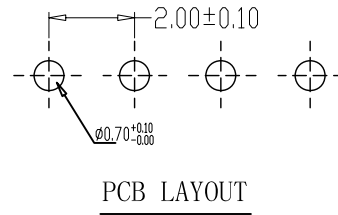
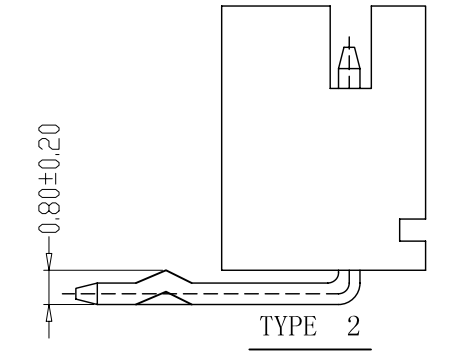
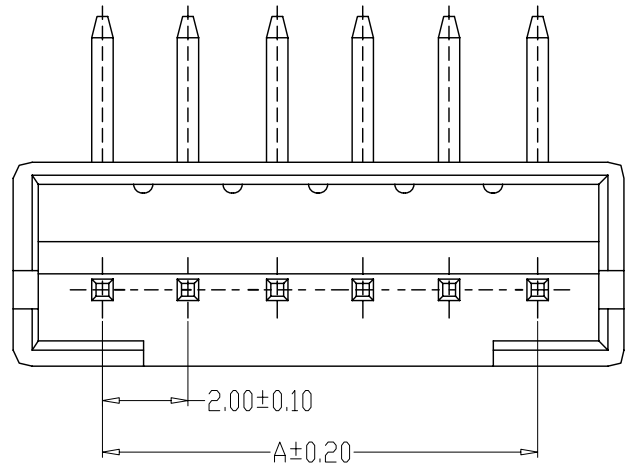


| 修订 REV | 标记 MARK | 修改摘要 REVISION DESCRIPTION | 签名 SIGNATURE | 日期 DATE |
|-----------|------------|------------------------------|-----------------|------------|
| AO | | NEW RELEASE | 黄艳兰 | 2015-08-10 |




SPECIFICATIONS


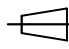
- 1、Current Rating: 2A AC, DC
- 2、Voltage Rating: 100V AC, DC
- 3、Temperatuer Range: $-25^{\circ}\text{C} \sim +85^{\circ}\text{C}$
- 4、Contact Resistance: $10\text{m}\Omega$ Max
- 5、Insulation Resistance: $1000\text{m}\Omega$ Min
- 6、Withstanding Voltang: 800V AC/minute
- 7、Material: Wafer Nylon66, UL94V-0
PIN Brass Tin-plated



| PIN | 尺寸 (mm) | |
|-----|---------|-------|
| | A | B |
| 2P | 2.00 | 6.00 |
| 3P | 4.00 | 8.00 |
| 4P | 6.00 | 10.00 |
| 5P | 8.00 | 12.00 |
| 6P | 10.00 | 14.00 |
| 7P | 12.00 | 16.00 |
| 8P | 14.00 | 18.00 |
| 9P | 16.00 | 20.00 |
| 10P | 18.00 | 22.00 |
| 11P | 20.00 | 24.00 |
| 12P | 22.00 | 26.00 |
| 15P | 28.00 | 32.00 |



深圳市华德共创科技有限公司
Shenzhen Huade co-create Technology Co., LTD
TEL : 0755-27111225 FAX : 0755-29940187

| | | | | | | | | |
|---|-------|--------|-----|---|---------------------------------|-------|------|-------------|
| -TOLERANCES- UNLESS OTHERWISE SPECIFIED 公差参数表 | | | |   | TITLE: 产品名称: PH2.0弯针 | | | |
| X.X | ±0.30 | X.X° | ±3° | APPD: 核准: | PART NO: 产品编号: HDGC2001WR-XP | | | |
| X.XX | ±0.30 | X.XX° | ±2° | CHECK: 校对: 王建业 | DATE | SCALE | UNIT | CODE NUMBER |
| X.XXX | ±0.10 | X.XXX° | ±1° | DRAW: 绘图: 黄艳兰 | 2015-08-10 | 1:1 | mm | A126 |