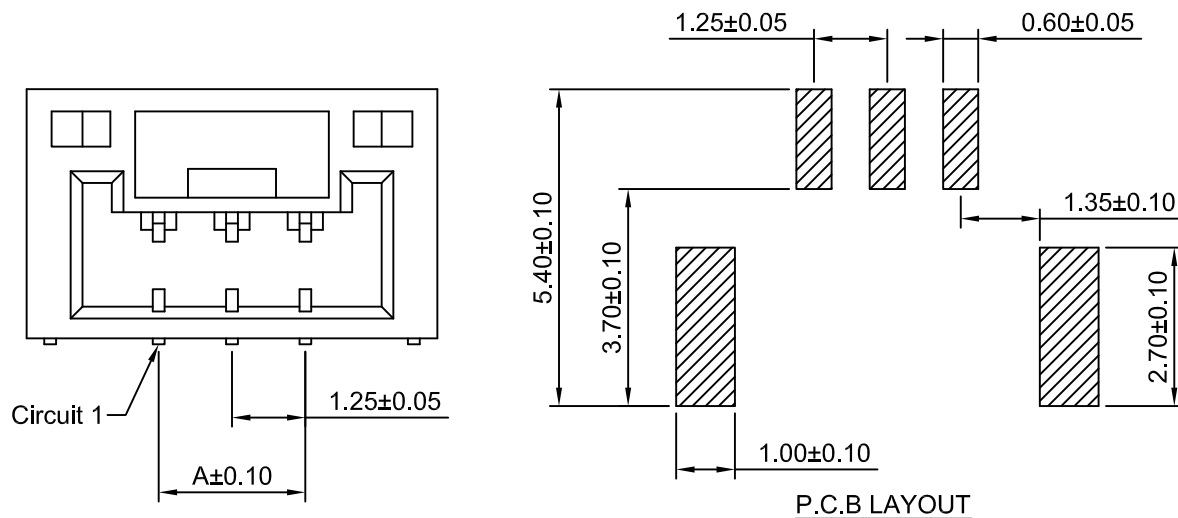


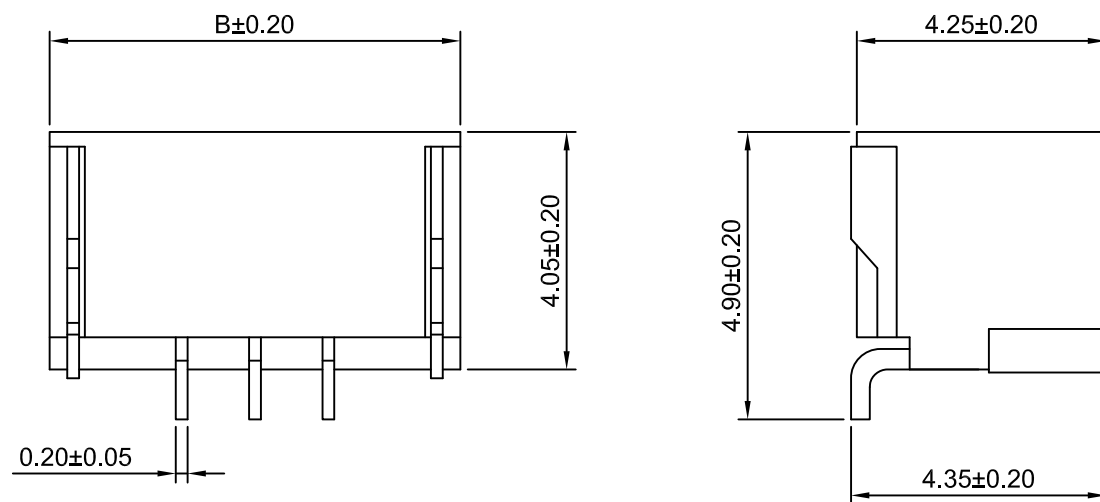
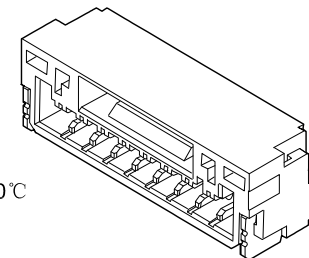
修订 REV	标记 MARK	修改摘要 REVISION DESCRIPTION	签名 SIGNATURE	日期 DATE
AO		NEW RELEASE	WANG	2019-12-26



Ordering Information:

HDGC1257WR- S - XP - *** - **
1 2 3

- Part No.
- Material:
(Blank):Nylon 9T,UL94V-0
GWT:Nylon 9T,UL94V-0,GWT 750°C
- Finish:
(Blank):Tin over Nickel
G:Gold over Nickel



Ordering Information & Dimensions

Circuits	Dimensions(mm)		Circuits	Dimensions(mm)	
	A	B		A	B
2P	1.25	5.75	9P	10.00	14.50
3P	2.50	7.00	10P	11.25	15.75
4P	3.75	8.25	11P	12.50	17.00
5P	5.00	9.50	12P	13.75	18.25
6P	6.25	10.75	13P	15.00	19.50
7P	7.50	12.00	14P	16.25	20.75
8P	8.75	13.25	15P	17.50	22.00

SPECIFICATIONS:

Current Rating: 1A AC,DC
Voltage Rating: 150V AC,DC
Temperature Range: -25°C ~ +85°C
Contact Resistance: 30mΩ Max.
Insulation Resistance: 500MΩ Min.
Withstanding Voltage: 500V AC/minute
Pin Material: Brass/Tin over Nickel
Material: Nylon 9T,UL94V-0(Ivory)



深圳市华德共创科技有限公司

Shenzhen Huade co-create Technology Co.,LTD
TEL : 0755-27111225 FAX : 0755-29940187

-TOLERANCES- UNLESS OTHERWISE SPECIFIED 公差参数表				TITLE: 产品名称: GHR1.25针座卧贴	
X.X	±0.30	X.X°	±3°	APPD: 核准:	XIE
X.XX	±0.30	X.XX°	±2°	CHECK: 校对:	WANG
X.XXX	±0.10	X.XXX°	±1°	DRAW: 绘图:	WANG
PART NO: 产品编号:		HDGC1257WR-S-XP			
DATE	SCALE	UNIT	CODE NUMBER		
2019-12-26	8:1	mm	A008		