

6A High-Speed Power MOSFET Drivers

Features

- High Peak Output Current: 6A
- Wide Supply Voltage Operating Range: 4.5V to 25V
- High Capacitive Load Drive Capability 10 nF
- Short Delay Times: 44ns (typ.)
- Matched Rise/Fall Times (14ns typ.)
- Low Output Impedance: 1.0Ω (typ.)
- Low Supply Current
- Over-temperature Protection
- Under-voltage Lockout (UVLO)
- Non-overlapped Drive Tech
- Input withstands negative inputs up to 5V
- Available in Green SOP8, DIP8 and DFN8 Packages

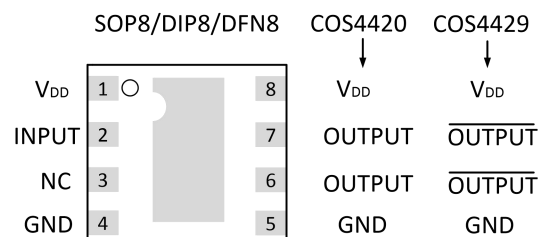
Applications

- Switch Mode Power Supplies
- Power MOSFET Drivers
- Pulse Transformer Drivers
- Line Drivers
- CCD Driver
- Class D Switching Amplifiers

General Description

The COS4420/4429 are single-output power MOSFET drivers. Unique circuit design enables high speed operation capable of delivering peak currents of 6A into 10,000pF capacitive loads. Improved speed and drive capability are enhanced by matched rise and fall delay times. Dynamic switching losses are minimized with non-overlapped drive techniques. These devices are highly latch-up resistant within their power and voltage ratings. They are not subject to damage when up to 5V of noise spiking (of either polarity) occurs on the ground pin.

The COS4420/4429 inputs can be driven directly from either TTL or CMOS (1.6V to 25V). In addition, the 300 mV of built-in hysteresis provides noise immunity and allows the device to be driven from slow rising or falling waveforms. Output is held LOW if Input is unbiased or floating.

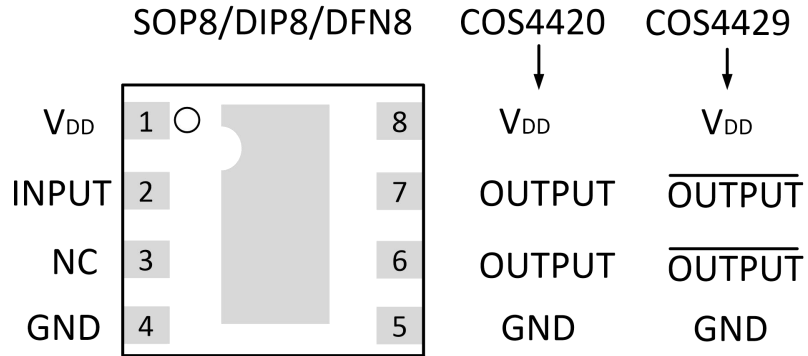


Pin Diagram

Rev1.0

Copyright©2020 Cosine Nanoelectronics Inc. All rights reserved
The information provided here is believed to be accurate and reliable. Cosine Nanoelectronics assumes no reliability for inaccuracies and omissions. Specifications described and contained here are subjected to change without notice on the purpose of improving the design and performance. All of this information described herein should not be implied or granted for any third party.

1. Pin Configuration and Functions



COS4420: Output in phase with input

COS4429: Output out of phase with input

Figure 1. Pin Diagram

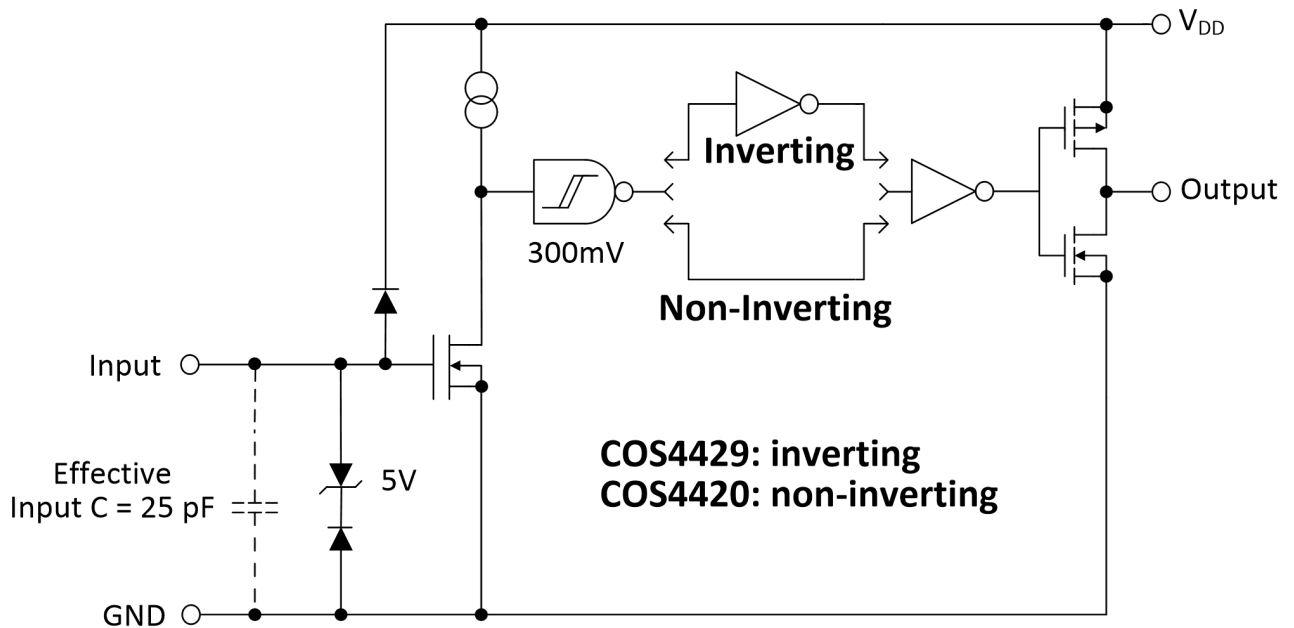


Figure 2. Functional Block Diagram

Pin Description

Pin	Name	Description
1	VDD	Power Supply
2	INPUT	Control input, TTL/CMOS compatible input
3	NC	No Connection
4	GND	Ground
5	GND	Ground
6	OUTPUT	CMOS push-pull output
7	OUTPUT	CMOS push-pull output
8	VDD	Power Supply
-	PAD	Exposed Metal Pad, electrically isolated

Note: Duplicate pins must both be connected for proper operation.

1.1 Input

MOSFET driver input is a high-impedance, TTL/CMOS compatible input. It also has 300 mV of hysteresis between the high and low thresholds that prevents output glitching even when the rise and fall time of the input signal is very slow.

1.2 Ground (GND)

Ground is the device return pin. The Ground pin(s) should have a low-impedance connection to the bias supply source return. High peak current flows out the Ground pin(s) when the capacitive load is being discharged.

1.3 Output

MOSFET driver outputs are low-impedance, CMOS push-pull style outputs. The pull-down and pullup devices are of equal strength, making the rise and fall times equivalent. The Output is held LOW if Input is unbiased or floating.

1.4 Supply Input (VDD)

The VDD input is the bias supply for the MOSFET driver and is rated for 4.5V to 25V with respect to the Ground pin. The VDD input should be bypassed with local ceramic capacitors. The value of these capacitors should be chosen based on the capacitive load that is being driven. A value of 1.0 μ F is suggested.

1.5 Exposed Metal Pad

The exposed metal pad of the DFN-S package is not internally connected to any potential. Therefore, this pad can be connected to a ground plane or other copper plane on a Printed Circuit Board (PCB), to aid in heat removal from the package.

2. Ordering Information

Model	Order Number	Package	Package Option	Marking Information
COS4420	COS4420SR	SOP-8	Tape and Reel, 3000	COS4420SR
	COS4420FR	DFN-8	Tape and Reel, 3000	COS4420FR
	COS4420DR	DIP-8	Tube 50	COS4420DR
COS4429	COS4429SR	SOP-8	Tape and Reel, 3000	COS4429SR
	COS4429FR	DFN-8	Tape and Reel, 3000	COS4429FR
	COS4429DR	DIP-8	Tube 50	COS4429DR

3. Product Specification

3.1 Absolute Maximum Ratings ⁽¹⁾

Parameter	Min	Max	Unit
DC supply voltage V_{DD}		28	V
Operating junction temperature	-40	+125	°C
Storage temperature	-55	+150	°C
Maximum input voltage	GND-5	VDD+0.3	V

(1) Stresses exceeding the absolute maximum ratings may damage the device. The device may not function or be operable above the recommended operating conditions and stressing the parts to these levels is not recommended. In addition, extended exposure to stresses above the recommended operating conditions may affect device reliability. The absolute maximum ratings are stress ratings only.

3.2 Thermal Data

Parameter	Rating	Unit
Package Thermal Resistance	155(SOP8) 125(DIP8) 118(FDN8,2x2)	°C/W

3.3 Recommended Operating Conditions

Parameter	Rating	Unit
DC Supply Voltage	4.5V ~ 25V	V
Operating ambient temperature	-40 to +125	°C

3.4 Electrical Characteristics

(Typical values are tested at $T_A=25\text{ }^\circ\text{C}$, $V_{DD}=18\text{V}$)

Parameter	Symbol	Conditions	Min.	Typ.	Max.	Unit
INPUT						
Input Signal High Threshold	V_{IH}		1.6			V
Input Signal Low Threshold	V_{IL}				0.7	V
Input Signal Hysteresis	V_{HYS}			0.3		V
Input Signal High Current	I_{IH}	Inverting Input Current, $V_{INX}=18\text{V}$			0.01	μA
		Non-inverting Input Current, $V_{INX}=18\text{V}$		88	125	
Input Signal High Current	I_{IL}	Inverting Input Current, $V_{INX}=0\text{V}$		88	125	μA
		Non-inverting Input Current, $V_{INX}=0\text{V}$			0.01	
OUTPUT						
High Output Voltage V_{OH}	V_{OH}	DC Test	$V_{DD} - 0.025$			V
Low Output Voltage	V_{OL}	DC Test			0.025	V
Pull-Up Resistance	R_{OH}	Source Current = 10mA		1.25		Ω
Pull-Down Resistance	R_{OL}	Sink Current = -10mA		0.75		Ω
Peak Output Current	I_{PK}	$10\text{V} \leq V_{DD} \leq 18\text{V}$		6.0		A
POWER SUPPLY						
Power Supply Current	I_{CC}	$V_{IN}=3\text{V}$		0.85		mA
		$V_{IN}=0\text{V}$		0.65		
Operating Voltage Range	V_{DD}		4.5		25	V
Under-Voltage Lockout ON Threshold				3.7	4.1	V
Under-Voltage Lockout Hysteresis				0.5		V
SWITCHING CHARACTERISTICS						
Rise Time	t_R	$C_L = 2500\text{pF}$, See Figure 3		14		ns
Fall Time	t_F	$C_L = 2500\text{pF}$, See Figure 3		14		ns

Turn-On Delay Time	t_{D1}	COS4420	42	ns
		COS4429	44	ns
Turn-Off Delay Time	t_{D2}	COS4420	45	ns
		COS4429	44	ns
OVER-TEMPERATURE PROTECTION				
Thermal Shutdown Threshold			150	°C
Thermal Shutdown Threshold Hysteresis			25	°C

4. Application Information

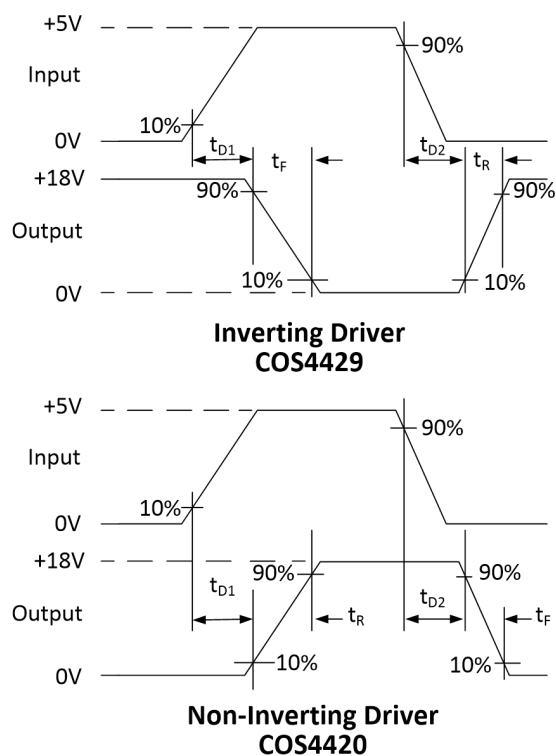
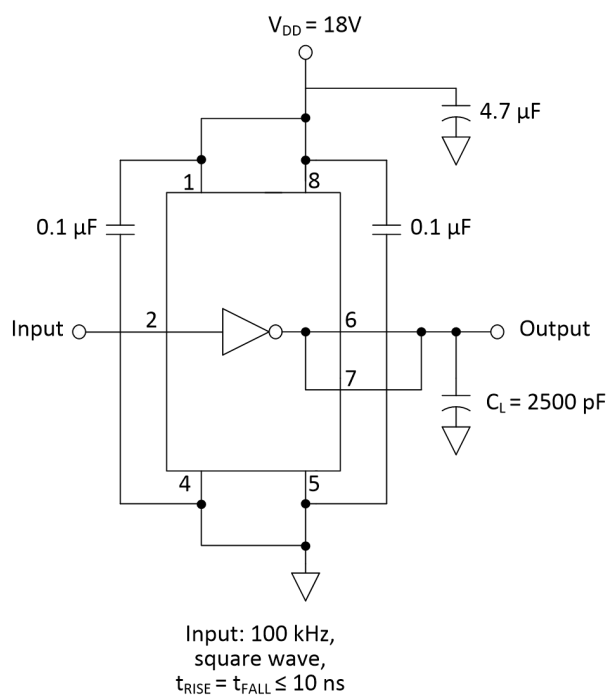
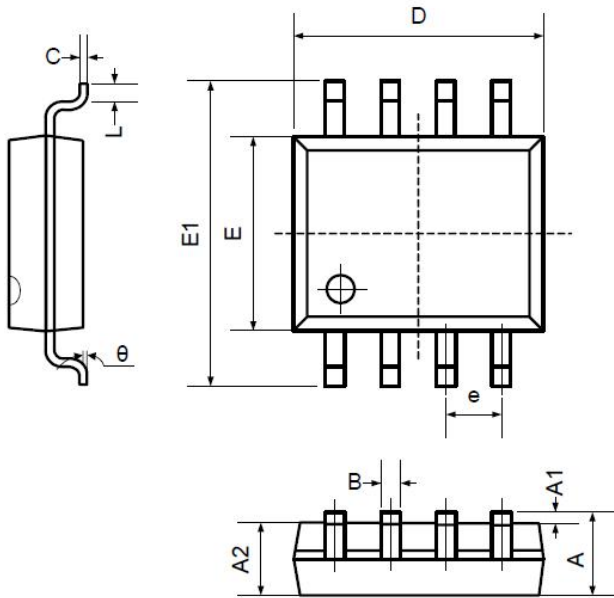


Figure 3. Switching Time Test Circuit

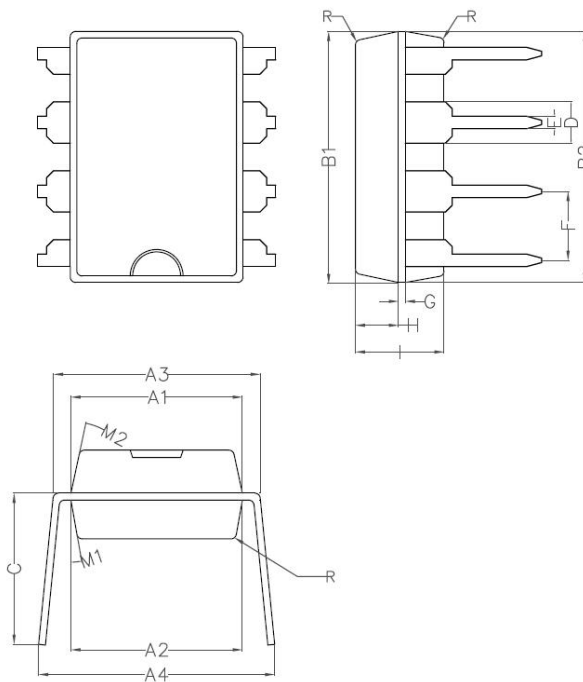
5. Package Information

5.1 SOP8 (Package Outline Dimensions)



Symbol	Dimensions In Millimeters		Dimensions In Inches	
	Min	Max	Min	Max
A	1.350	1.750	0.053	0.069
A1	0.100	0.250	0.004	0.010
A2	1.350	1.550	0.053	0.061
B	0.330	0.510	0.013	0.020
C	0.190	0.250	0.007	0.010
D	4.780	5.000	0.188	0.197
E	3.800	4.000	0.150	0.157
E1	5.800	6.300	0.228	0.248
e	1.270TYP		0.050TYP	
L	0.400	1.270	0.016	0.050
θ	0°	8°	0°	8°

5.2 DIP8 (Package Outline Dimensions)



Symbol	Min	Non	Max
A1	6.28	6.33	6.38
A2	6.33	6.38	6.43
A3	7.52	7.62	7.72
A4	7.80	8.40	9.00
B1	9.15	9.20	9.25
B2	9.20	9.25	9.30
C		5.57	
D		1.52	
E	0.43	0.45	0.47
F		2.54	
G		0.25	
H	1.54	1.59	1.64
I	3.22	3.27	3.32
R		0.20	
M1	9°	10°	11°
M2	11°	12°	13°