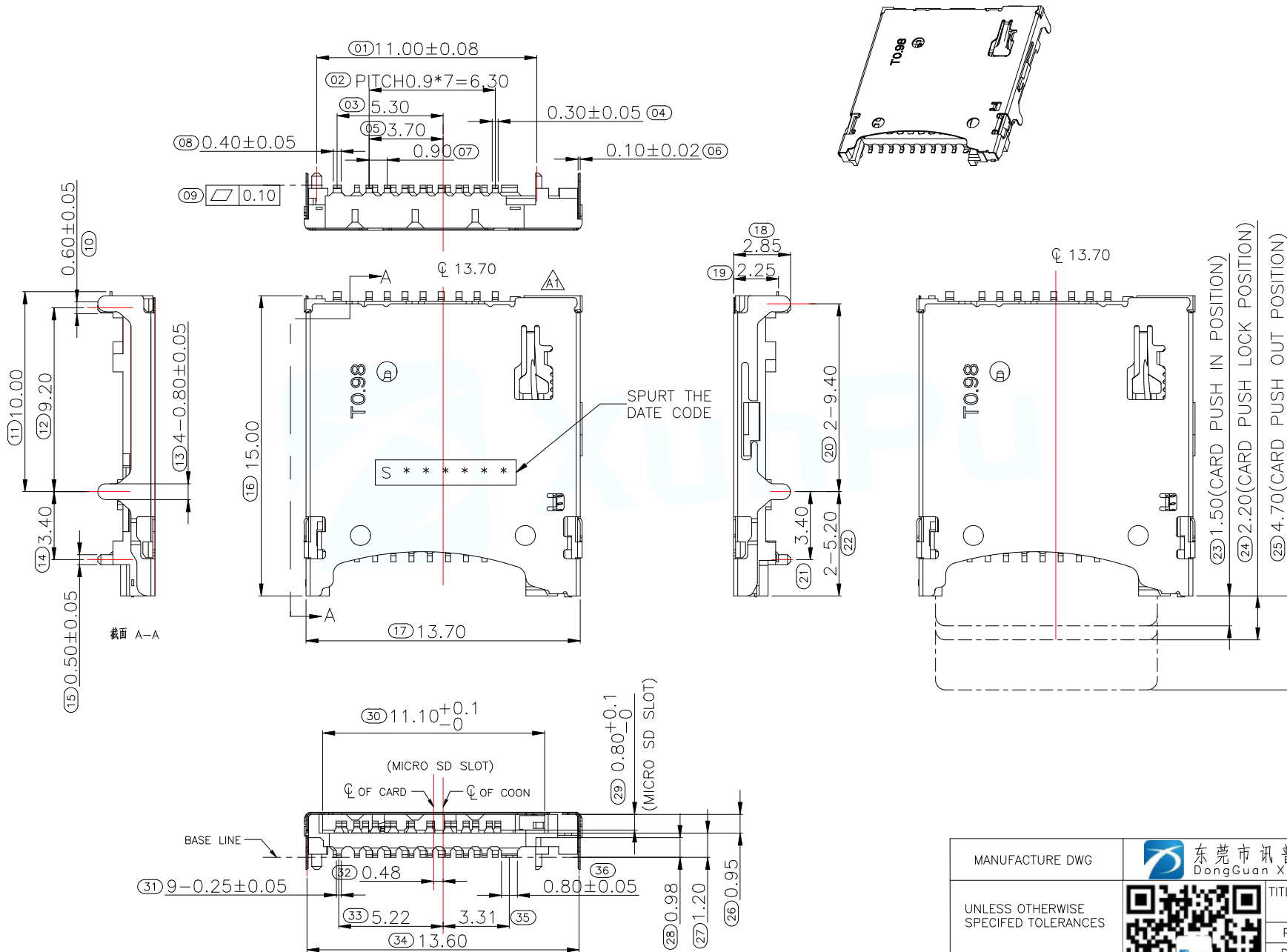
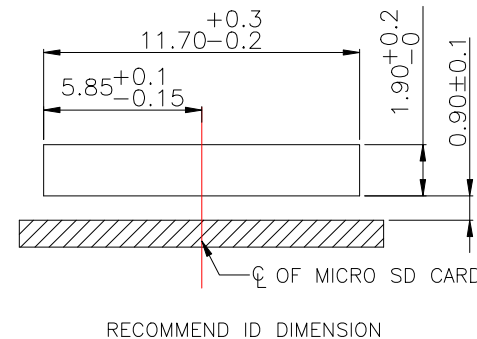
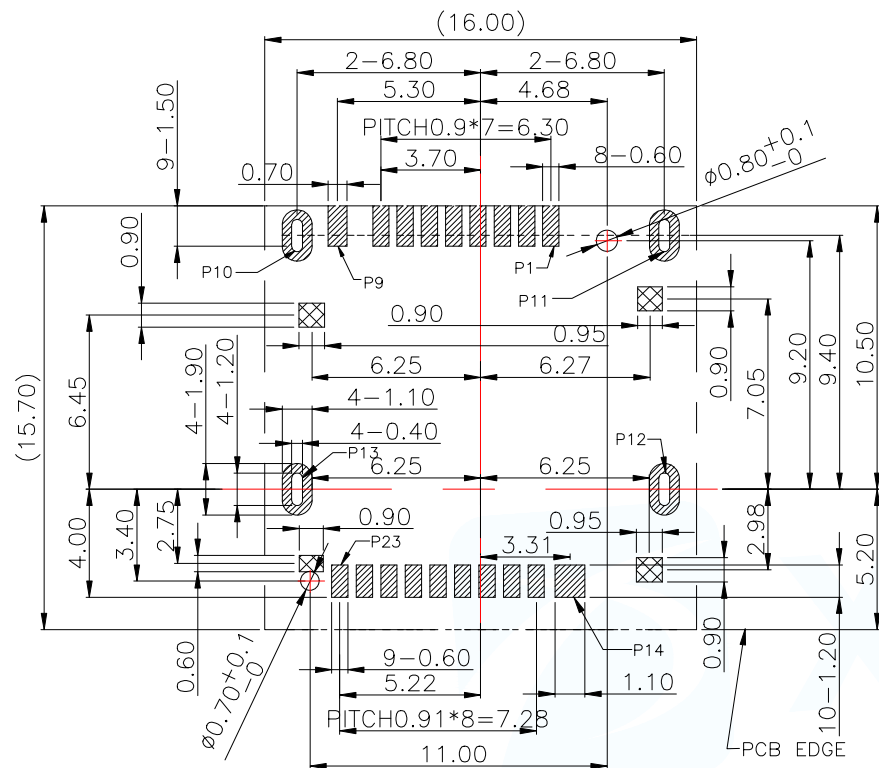


MAPX	MODIFICATION	DATE	DRAW	APPROVE



MANUFACTURE DWG		 东莞市讯普电子科技有限公司 DongGuan XunPu Electronics Co.,Ltd	TITLE: MicroSD 4.0 H2.25卡座客户图	
UNLESS OTHERWISE SPECIFIED TOLERANCES			PAR	TF-402-ACP18
DECIMALS:	ANGLES:	DWN		
.X:±0.30	X.':±2'	CHKD		
.XX:±0.20	X.X':±1'	APVD		
.XXX:±0.10		SCALE1:1	UNIT:MM	
		SIZE:A4	SHEET:1F1	
		Website address	REV:A	



Pin No.	Pin Assignment
P1	MICRO SD DAT2
P2	MICRO SD DAT2
P3	MICRO SD CMD
P4	MICRO SD VDD1
P5	MICRO SD CLK
P6	MICRO SD VSS
P7	MICRO SD DAT0/RCLK
P8	MICRO SD DAT1/RCLK
P9	MICRO SD CD
P10	GND
P11	GND
P12	GND
P13	GND
P14	GND
P15	MICRO SD VDD2
P16	MICRO SD SW10
P17	MICRO SD VSS
P18	MICRO SD D0+
P19	MICRO SD D0-
P20	MICRO SD VSS
P21	MICRO SD D1-
P22	MICRO SD D1+
P23	MICRO SD VSS

Recommended P.C.B LAYOUT
TOP VIEW TOLERANCE+/-0.05

- PAD AREA
- NO COMPONENT AREA
- RED GLUING AREA

Opening/Close of Switch

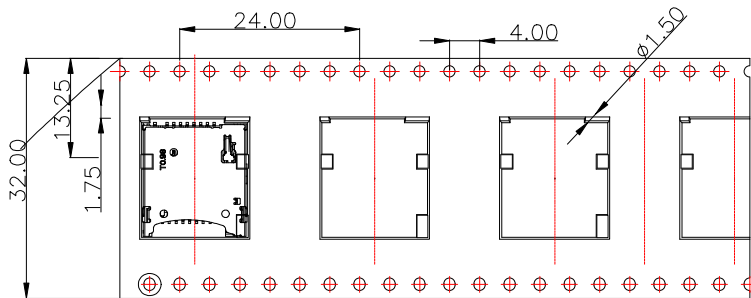
	Card Detect Switch	
Card Uninsertion	Open	
Card Half Insertion	Open	
Card Insertion	Close	
N/O	Open P6 P9	Close P6 P9

NOTES:

- (1) MATERIAL:
 - 1-1. PLASTIC: LCP, THERMOPLASTIC UL 94V-0
 - 1-2. CONTACT: COPPER ALLOY.
 - 1-3. SHELL: STAINLESS STEEL.
- (2) PLATING:
 - 2-1. CONTACT:
 - 2-1-1. CONTACT AREA: Au 3u". OVER Ni 50u".
 - 2-1-2. SOLDER TAIL AREA: Matted TIN 80u" Min. OVER Ni 50u".
 - 2-2. SHELL:
 - 2-2-1. SOLDER BILITY: OVER PLATING Ni 30" OVER ALL.
- (3) CONTACT AND TAIL COPLANARITY TO BE 0.10mm MAX.

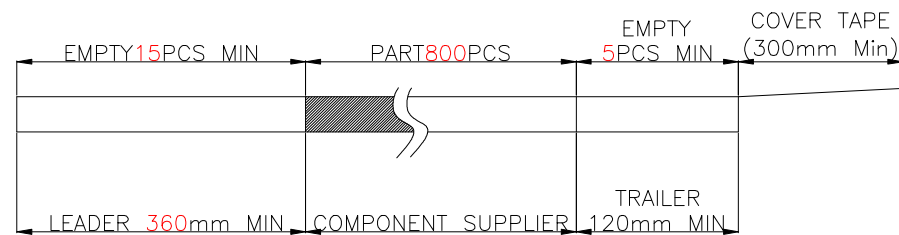
MANUFACTURE DWG		东莞市讯普电子科技有限公司 DongGuan XunPu Electronics Co.,Ltd	TITLE: MicroSD 4.0 H2.25卡座客户图	
UNLESS OTHERWISE SPECIFIED TOLERANCES			PAR	TF-402-ACP18
DECIMALS:	ANGLES:	DWN		
.X:±0.30	X':±2'	CHKD		
.XX:±0.20	X.X':±1'	APVD		
.XXX:±0.10		SCALE1:1	UNIT:MM	
		SIZE:A4	SHEET:1F1	
		Website address	REV:A	

USER DIRECTION OF UNREELING



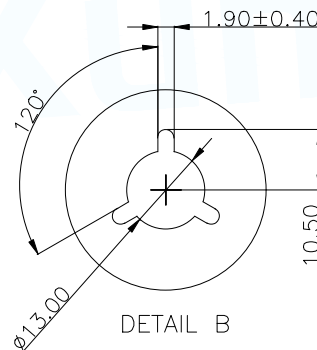
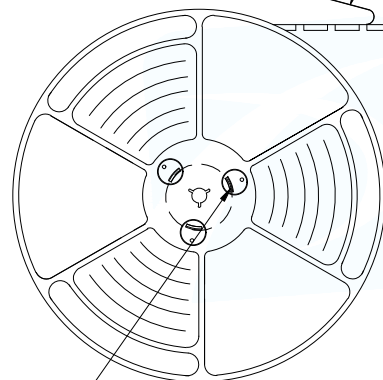
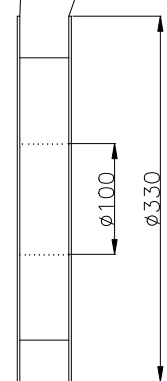
NOTES

1. NUMBER OF CONNECTORS: 800PCS/REEL
2. LEAD TAPE LENGTH



COVER TAPE PEELING ANGLE: 165°~180°
PEELING FORCE: 20~130g

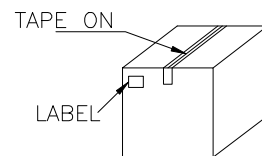
3. QUANTITY: 6400PCS/CARTON



DETAIL B

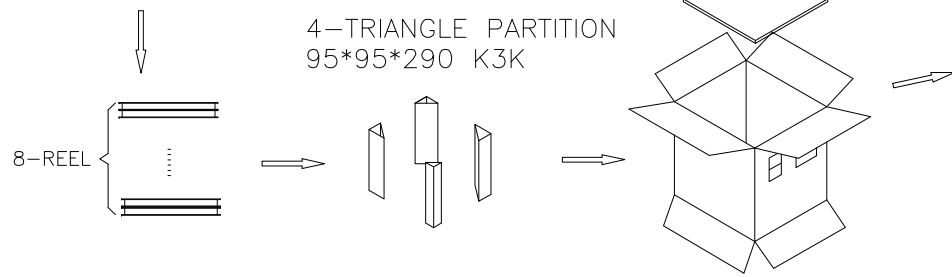
DETAIL B

CARTON
350*350*340 K=K



4-TRIANGLE PARTITION
95*95*290 K3K

8-REEL



MANUFACTURE DWG			东莞市讯普电子科技有限公司 DongGuan XunPu Electronics Co.,Ltd	
UNLESS OTHERWISE SPECIFIED TOLERANCES			TITLE: MicroSD 4.0 H2.25卡座客户图	
DECIMALS:	ANGLES:		PAR	TF-402-ACP18
.X:±0.30	X.' :±2°		DWN	
.XX:±0.20	X.X' :±1°	CHKD		
.XXX:±0.10		APVD		
Website address		SCALE 1:1	UNIT:MM	
		SIZE:A4	SHEET:1F1	REV:A