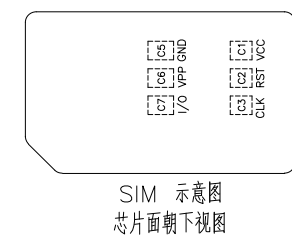
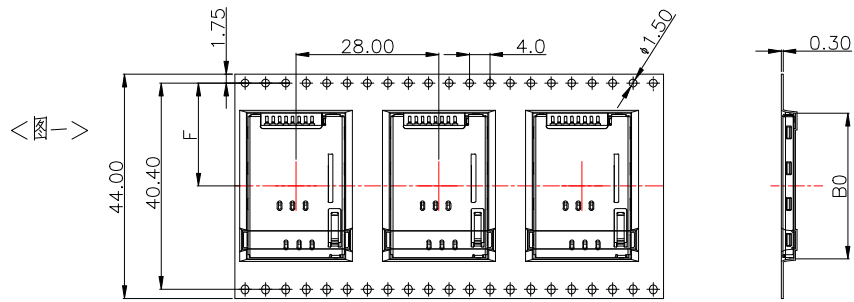


- Specification
- \* Electrical Characteristics :
    - Current Rating: 0.5A AC/DC Max.
    - Dielectric Withstanding Voltage: 250V AC/DC
    - Insulation Resistance: 500M ohms Min.
    - Contact Resistance: 100m ohms Max.
  - \* Mechanical Characteristics:
    - Mating Cycles: 5000 Insertions.
  - \* Environmental :
    - Operating Temperature: -40°C to +85°C.
  - \* Material:
    - Housing: HI-Temp plastic UL 94V-0 Rated.
    - Contact: Copper Alloy.
    - Shell: Stainless Steel SUS 304, t=0.20mm.
  - \* Plating :
    - Terminal:
      - Contact area: Gold Flash Plated Over 40u" Nickel.
      - Solder area: 80u" Tin Plated Over 40u" Nickel.
      - Under plate: 40u" Min. Nickel.
    - Shell:
      - 30u" Min. Nickel Plated Over All,
      - Solder Area: Gold Flash.

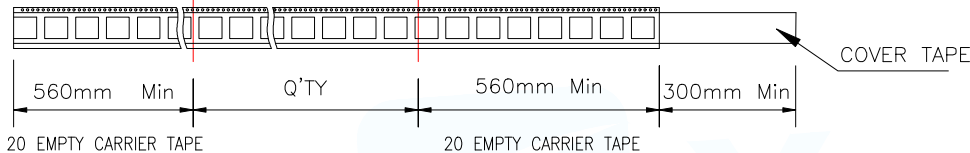


PIN NO.	DESCRIPTION
P1#	C1:VCC
P2#	C5:GND
P3#	C2:RST
P4#	C6:VPP
P5#	C3:CLK
P6#	C7:I/O
P7#	CD SW LOWER
P8#	CD SW UPPER

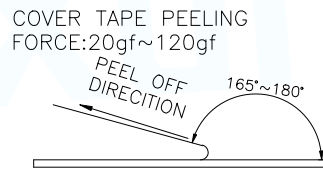
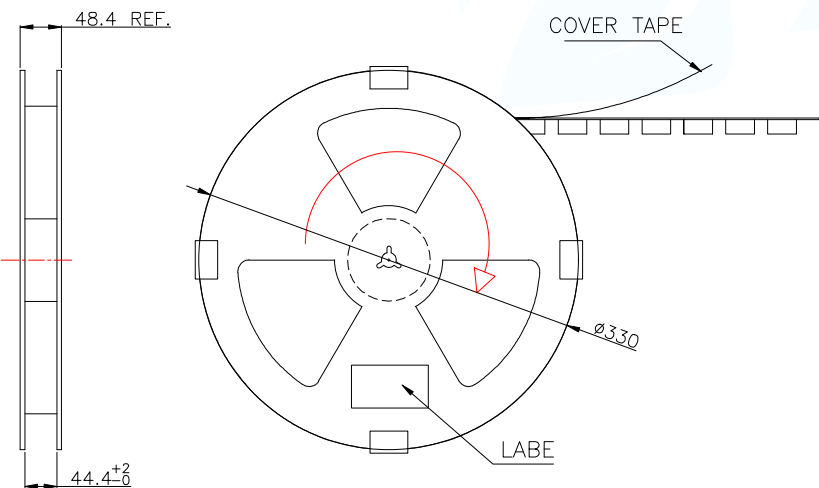
MANUFACTURE DWG		东莞市讯普电子科技有限公司 DongGuan XunPu Electronics Co.,Ltd	
UNLESS OTHERWISE SPECIFIED TOLERANCES		TITLE: SIM PUSH H2.2客户图	
DECIMALS:	ANGLES:	PAR	SIM-135-ARP8
.X:±0.30	X':±2'	DWN	
.XX:±0.20	X.X':±1'	CHKD	
.XXX:±0.10		APVD	
Website address		SCALE1:1	UNIT:MM
		SIZE:A4	SHEET:1F1
			REV:A



包装收料 ←      客户拉出方向 →



<图二>



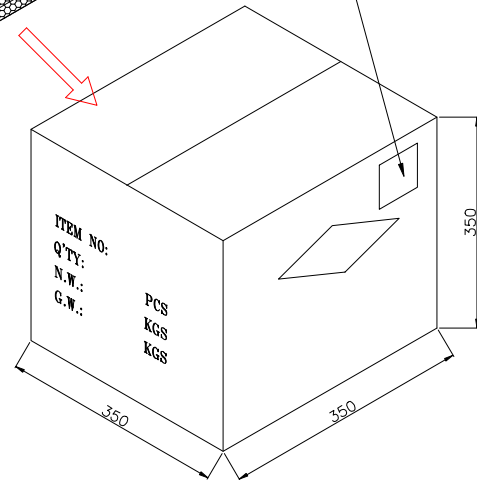
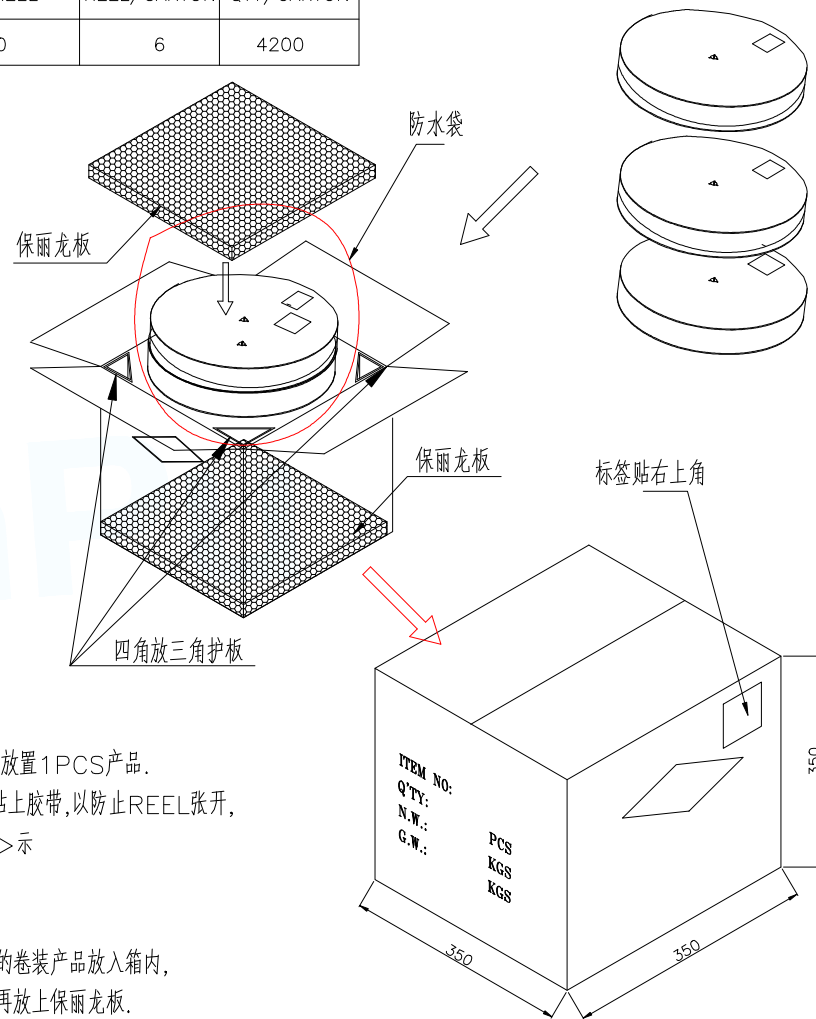
NOTE:

1. 依<图一>示放置产品于下载中, 每穴放置1PCS产品.
2. 包装机包好后, 在REEL的个等分点贴上胶带, 以防止REEL张开, 每REEL贴1PCS标签, 如<图二>示
3. 包装数量见如<TABLE 1>示
4. 包装成箱见如<图三>示  
箱底放保丽龙板, 再依次将指定数量的卷装产品放入箱内, 四角分别放入四个三角护板, 最上层再放上保丽龙板.
5. 封箱, 在封好的纸箱上按客户要求写上料号, 数量等

<TABLE 1> PACKAGING QUANTITY

QTY/REEL	REEL/CARTON	QTY/CARTON
700	6	4200

<图三>



MANUFACTURE DWG		东莞市讯普电子科技有限公司 DongGuan XunPu Electronics Co.,Ltd	TITLE: SIM PUSH H2.2客户图	
UNLESS OTHERWISE SPECIFIED TOLERANCES			PAR	SIM-135-ARP8
DECIMALS:	ANGLES:	DWN		
.X:±0.30	X.':±2'	CHKD		
.XX:±0.20	X.X':±1"	APVD		
.XXX:±0.10		SCALE:1:1	UNIT:MM	
		SIZE:A4	SHEET:1F1	
		Website address	REV:A	