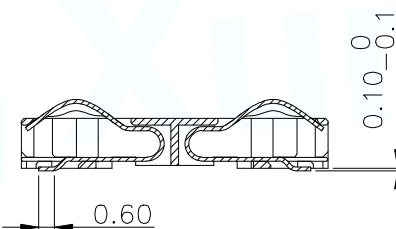
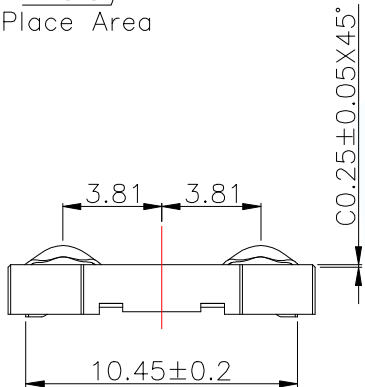


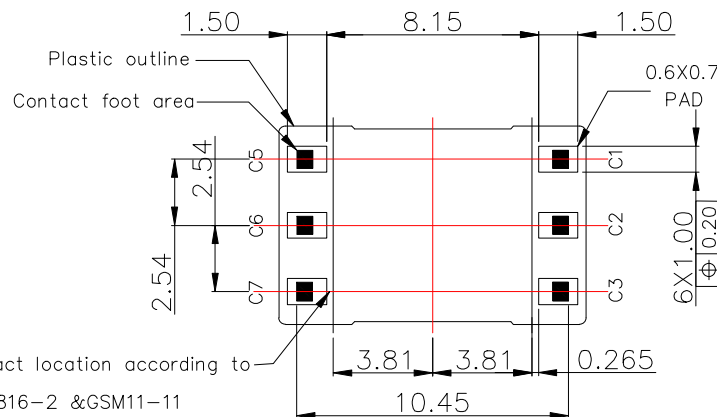
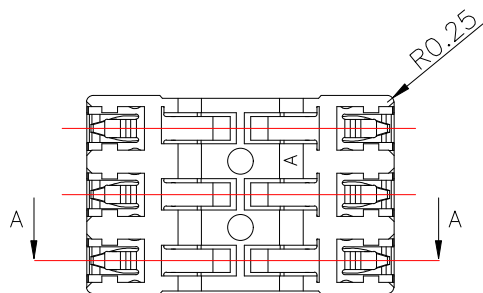
Pick And Place Area



SECTION A-A

SPECIFICATION

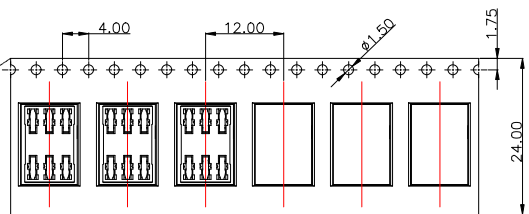
- Material & Finish:
Insulation:Thermoplastic UL94 V-0
Contact:Copper Alloy.Cold Plated 3u" Over Nickel
Tin Plated On Tails
- Electrical Characteristics
Switching Current:10uA min./1A max.
Contact Resistance:100 Milliohms Max.
Insulation Resistance:1000 Megohms Min.
Dielectric strength:500 Vrms min.
- Mechanical Characteristics
Mechanical life :20,000 Mating Cycles Min.
Contact Force:0.25N min./0.5N max.
(At Contact Travel=0.45mm)
- Environmental Characteristics
Operating Temperature:-40°C to +85°C
Resistance to soldering Heat:
IR Re-Flow :260 °C 10 Sec. Max
EIA-364-56A
Humidity:96 Hours ,EIA-364-31B.
Salt Spray :24 Hours, EIA-364-26B.
- Rohs Compliant



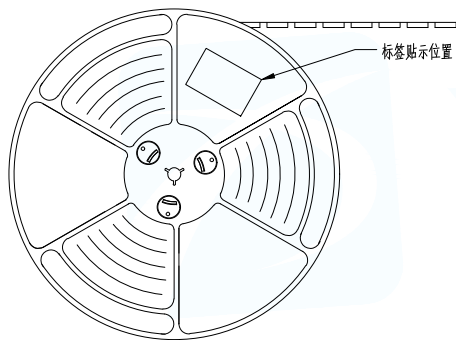
Contact location according to ISO 7816-2 & GSM11-11

Reference P.C.B. Layout(Tolerance: ±0.10mm)

MANUFACTURE DWG		东莞市讯普电子科技有限公司 DongGuan XunPu Electronics Co.,Ltd	TITLE: Sim Block 6P	
UNLESS OTHERWISE SPECIFIED TOLERANCES			PAR	SIM-100-ARP6
DECIMALS:	ANGLES:	DWN		
.X:±0.30	X':±2'	CHKD		
.XX:±0.20	X.X':±1'	APVD		
.XXX:±0.10		SCALE1:1	UNIT:MM	
		SIZE:A4	SHEET:1F1	
		Website address	REV:A	

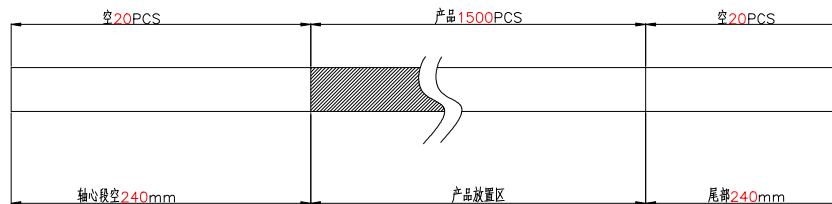


客户拉出方向

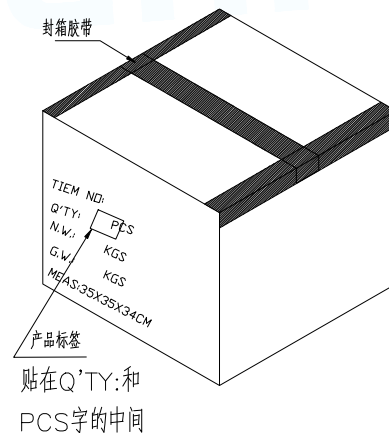
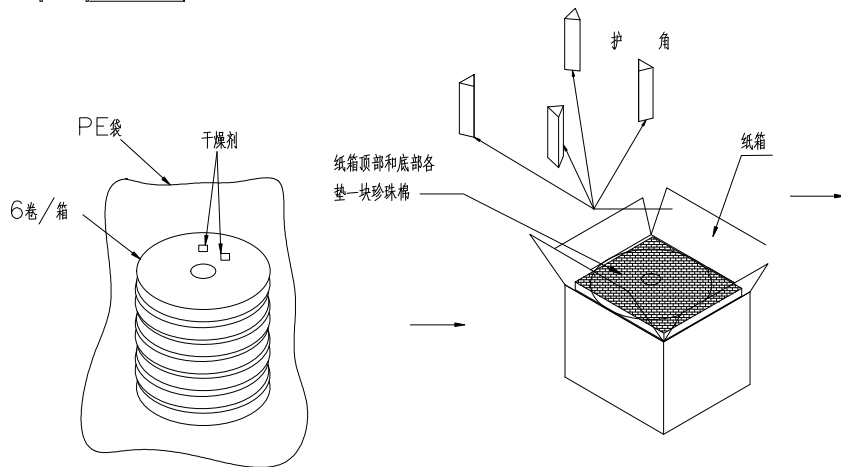


NOTES

1. 每卷包装数量: 1500PCS/每卷
2. 卷带包装方式:



3. 每箱包装数量: 9000PCS/箱



MANUFACTURE DWG		东莞市讯普电子科技有限公司 DongGuan XunPu Electronics Co.,Ltd	
UNLESS OTHERWISE SPECIFIED TOLERANCES		TITLE: Sim Block 6P	
DECIMALS:	ANGLES:	PAR	SIM-100-ARP6
.X:±0.30	X.'':±2'	DWN	
.XX:±0.20	X.X'':±1"	CHKD	
.XXX:±0.10		APVD	
Website address		SCALE1:1	UNIT:MM
		SIZE:A4	SHEET:1F1
			REV:A