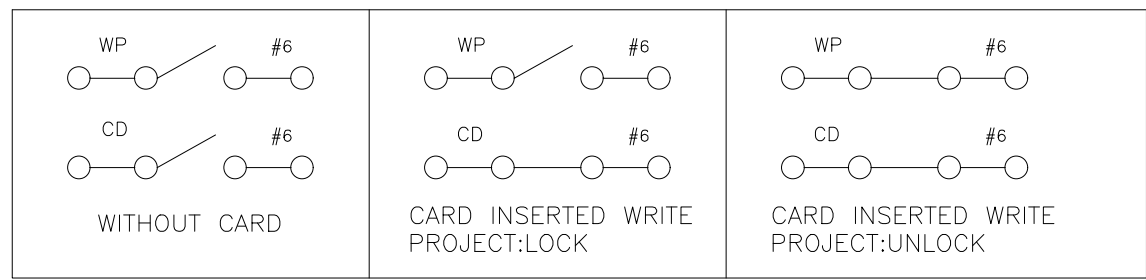
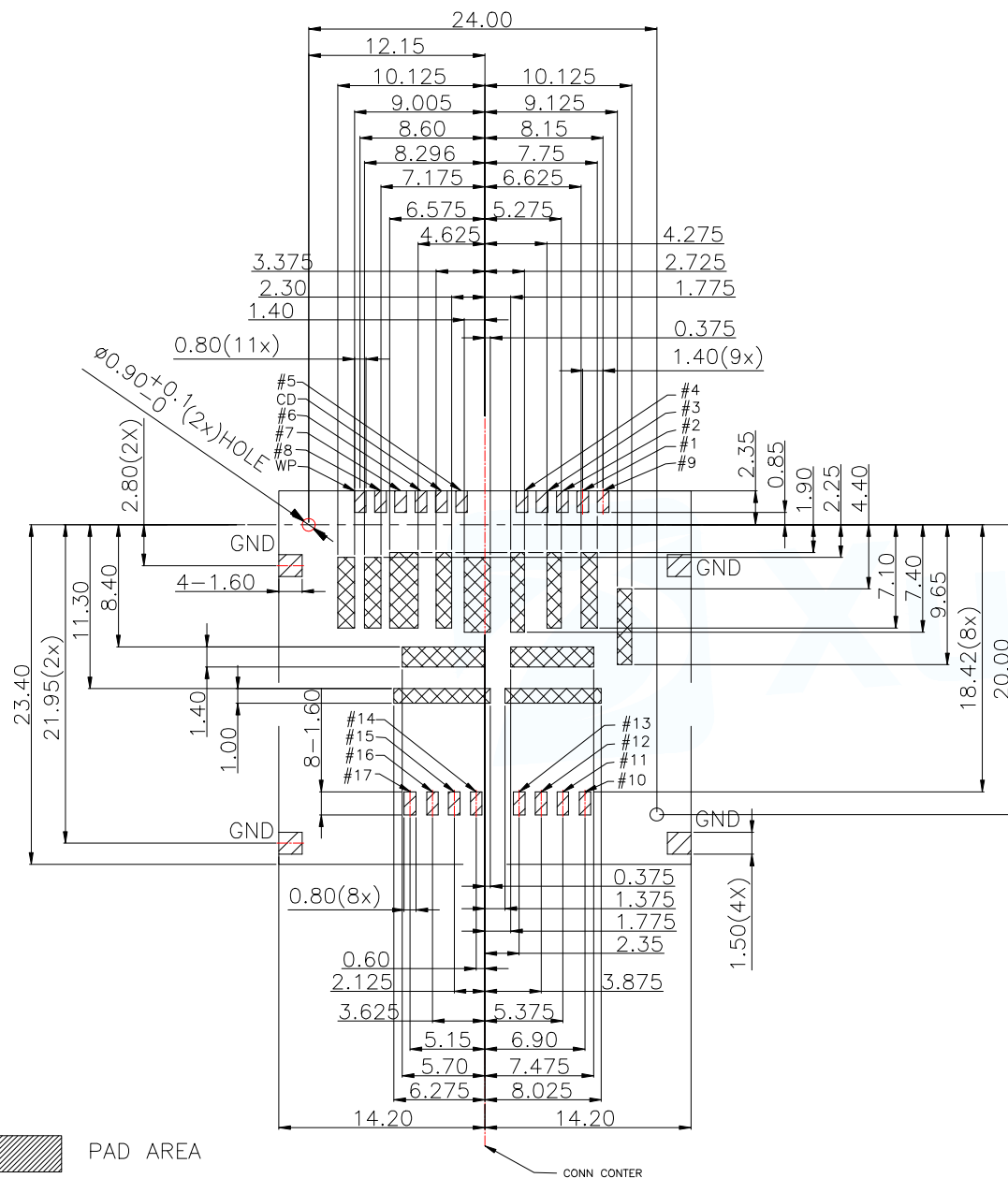


| NO. | PIN NO. | FUNCTION | | |
|-------|---------|---------------|----------|----------|
| | | SD MODE | UHS MODE | MMC MODE |
| NO.1 | #9 | DAT2 | - | - |
| NO.2 | #1 | CD/DAT3 | - | RSV |
| NO.3 | #2 | CMD | - | CMD |
| NO.4 | #3 | - | VSS1 | VSS1 |
| NO.5 | #4 | VDD | VDD1 | VDD |
| NO.6 | #5 | CLK | - | CLK |
| NO.7 | CD | CARD DETECT | | |
| NO.8 | #6 | - | VSS2 | VSS2 |
| NO.9 | #7 | DAT0 | RCLK+ | DAT |
| NO.10 | #8 | DAT1 | RCLK- | - |
| NO.11 | WP | WRITE PROTECT | | |
| NO.12 | #10 | - | VSS3 | - |
| NO.13 | #11 | - | DO+ | - |
| NO.14 | #12 | - | DO- | - |
| NO.15 | #13 | - | VSS4 | - |
| NO.16 | #14 | - | VDD2 | - |
| NO.17 | #15 | - | D1- | - |
| NO.18 | #16 | - | D1+ | - |
| NO.19 | #17 | - | VSS5 | - |




Rcuit diagram for Detect SW

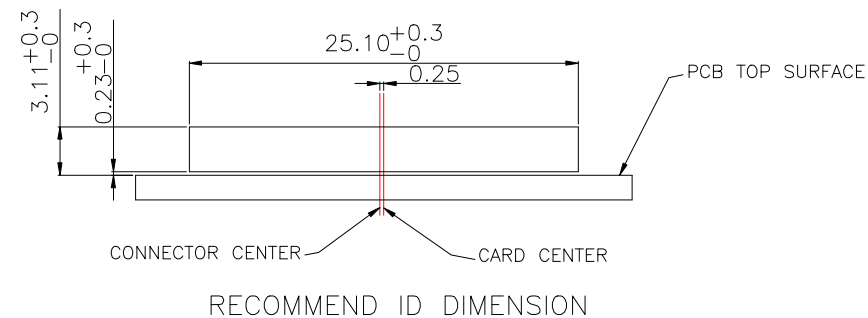


| | | | | |
|---------------------------------------|----------|---|-----------------------------------|--------------|
| MANUFACTURE DWG | | <p>东莞市讯普电子科技有限公司 DongGuan XunPu Electronics Co.,Ltd</p> | TITLE: SD4.0 No Push H2.95 客户图 | |
| UNLESS OTHERWISE SPECIFIED TOLERANCES | | | PAR | SD-404-ACP19 |
| DECIMALS: | ANGLES: | DWN | | |
| .X:±0.38 | X':±2' | CHKD | | |
| .XX:±0.25 | X.X':±1' | APVD | | |
| .XXX:±0.10 | | SCALE1:1 | UNIT:MM | |
| | | SIZE:A4 | SHEET:1F1 | |
| | | Website address | REV:A | |



RECOMMENDED P.C.B LAYOUT
TOP VIEW(TOLERANCE+/-0.05)

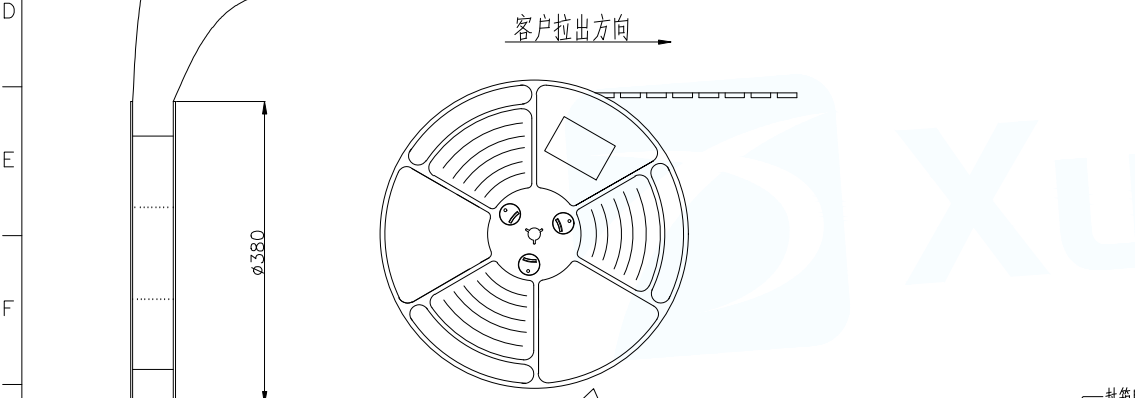
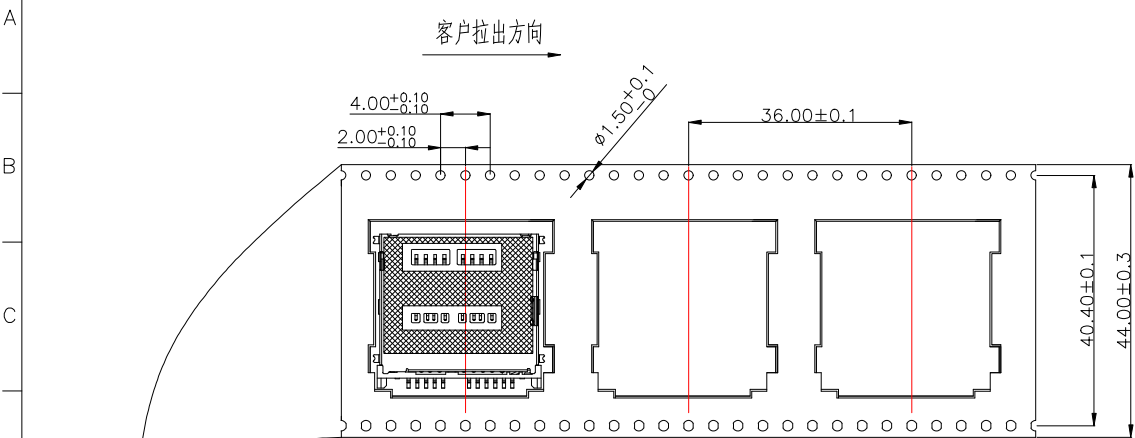
-  PAD AREA
-  NO COMPONENT AREA
-  RED GLUING AREA



NOTES:

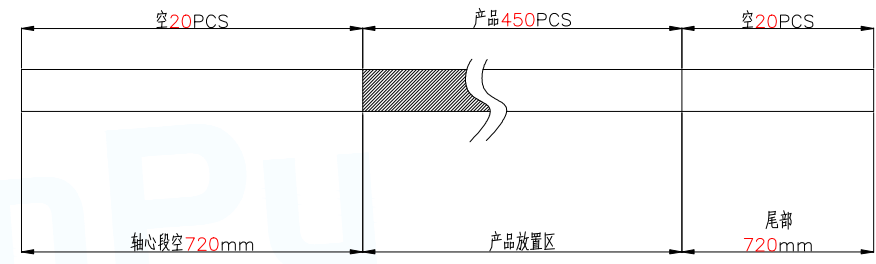
- (1) MATERIAL:
 - 1-1.PLASTIC: LCP,THERMOPLASTIC UL 94V-0
 - COLOR: BLACK
 - 1-2.CONTACT: COPPEER ALLOY.
 - 1-3.SELL: STAINLESS STELL.
- (2) PATING:
 - 2-1.CONTACT:CONTACT AREA AU 30U" MIN.
 - SOLDER TAIL AREA: PLATING AU 1U" MIN, OVER NI .
 - 2-2.SHELL:SOLDERABILITY AU 1U" MIN PLATING OVER ALL.
- (3) CONTACT AND TAIL COPLANARITY TO BE 0.10MM MAX.
- (4) RECOMMENDING A METAL MORE THAN 0.15mm THICK.
- (5) insertion and extraction force:0.7~3.0Kg.
- (6) Mylar has no backing at the opening.

| | | | | |
|---------------------------------------|----------|---|-----------------------------------|--------------|
| MANUFACTURE DWG | |  东莞市讯普电子科技有限公司 DongGuan XunPu Electronics Co.,Ltd | TITLE: SD4.0 No Push H2.95 客户图 | |
| UNLESS OTHERWISE SPECIFIED TOLERANCES | | | PAR | SD-404-ACP19 |
| DECIMALS: | ANGLES: | DWN | | |
| .X:±0.38 | X.':±2' | CHKD | | |
| .XX:±0.25 | X.X':±1' | APVD | | |
| .XXX:±0.10 | | SCALE1:1 | UNIT:MM | |
| | | SIZE:A4 | SHEET:1F1 | |
| | | Website address | REV:A | |

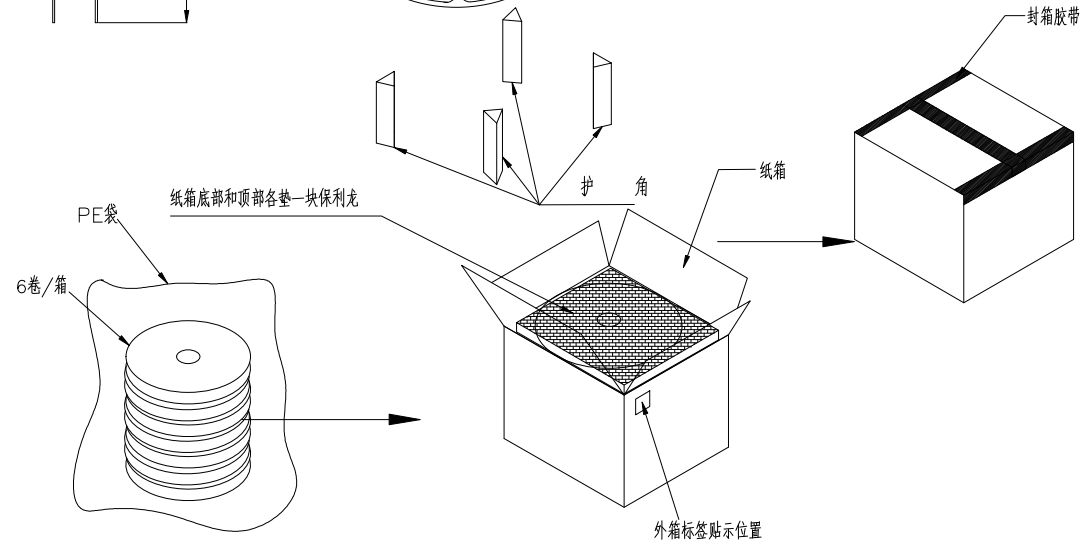


NOTES

1. 每卷包装数量: 450PCS/每卷
2. 卷带包装方式:



3. 每箱包装数量: 3600PCS/箱



| | | | | |
|---------------------------------------|-----------|---|-----------------------------------|---|
| MANUFACTURE DWG | |  东莞市讯普电子科技有限公司 DongGuan XunPu Electronics Co.,Ltd | TITLE: SD4.0 No Push H2.95 客户图 | |
| UNLESS OTHERWISE SPECIFIED TOLERANCES | | | PAR | SD-404-ACP19 |
| DECIMALS: | ANGLES: | DWN | | |
| .X:±0.38 | X.' :±2° | CHKD | | |
| .XX:±0.25 | X.X' :±1° | APVD | | |
| .XXX:±0.10 | | SCALE:1:1 | UNIT:MM |  |
| Website address | | SIZE:A4 | SHEET:1F1 | REV:A |

