

RECOMMENDER PCB LAYOUT
TOLERANCE UNLESS OTHERWISE IS ±0.05

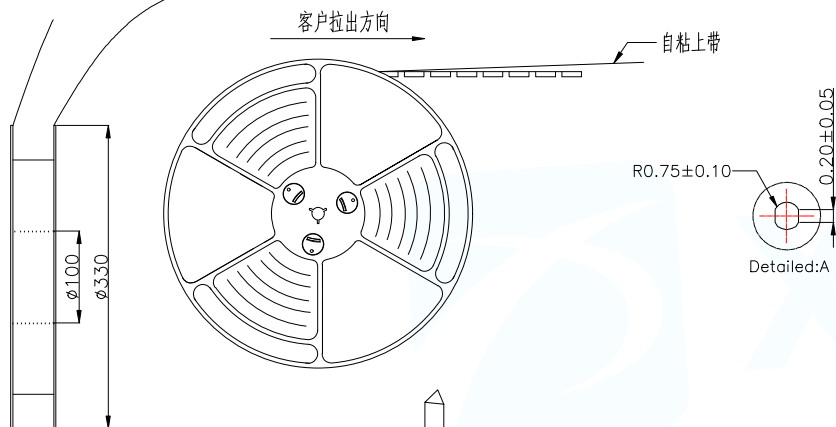
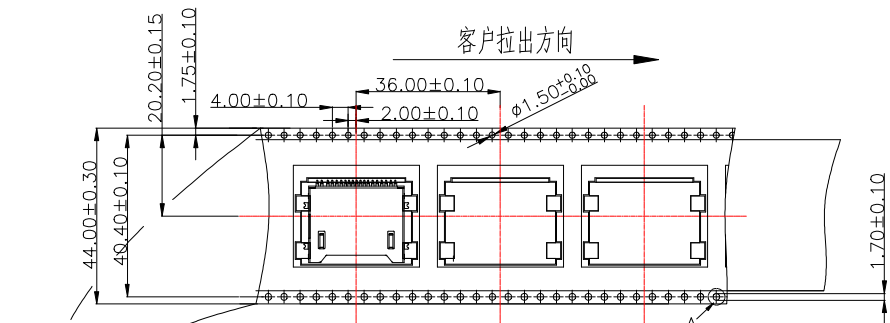
- PAD AREA
- GND PATTERN ONLY
- KEEP OUT AREA
- NO COPPER AREA (NO Trace&Via&GND)

NOTES:
MATERIAL:
Insulator: High Temperature Thermoplastic(Lcp),
Contact: Copper Alloy(C5191)
Shell: STAINLESS(SUS 304)
PLATING:
Contact: Plated Ni , contact point gold plated G/F, welding feet Matte tin
Shell: Plated Ni Overall Plated G/F Selective Contact Area
Electrical:
1.All Dimensions are in Millimeters.
2.Operation voltage: 30 VAC max.
3.Current rating : 1 Amps max.
4.Contact resistance: 100m ohms max.
5.Insulation resistance: 1000M ohms min. 500 VDC
6.Dielectric withstanding voltage: 500 VAC / 1minute
7.Operating Temperature: -20°C to +60°C
8.Storage Temperature: -40°C to +70°C
9.Durability 5000 cycles.

PIN DEFINE:

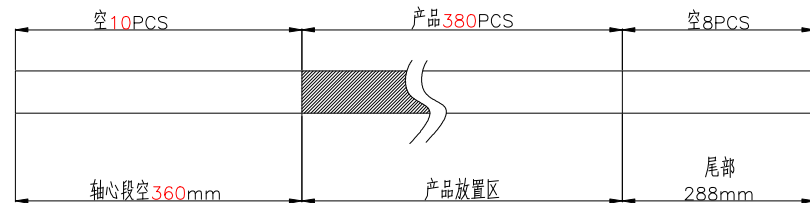
PIN#	NAME	DESCRIPTION	PIN#	NAME	DESCRIPTION
1	VSS3	GROUND	11	VDD1	SUPPLY VOLTAGE
2	DAT2	DATA LINE BIT2	12	D1-	DIFFERENTIAL DATE 1-
3	D0+	DIFFERENTIAL DATE 0+	13	CLK	CLOCK
4	CD/DAT3	CARD DETECT/DATA LINE BIT3	14	D1+	DIFFERENTIAL DATE 1+
5	D0-	DIFFERENTIAL DATE 0-	15	VSS2	SUPPLY VOLTAGE GROUND
6	CMD	COMMAND/RESPONSE	16	VSS5	GROUND
7	CD	CARD DETECT	17	DAT0	DATA LINE BIT0
8	VSS1	SUPPLY VOLTAGE GROUND	18	DAT1	DATA LINE BIT1
9	VSS4	GROUND	19	WP	WRITE PROTECT
10	VDD2	SUPPLY VOLTAGE(1.8V)			

MANUFACTURE DWG			东莞市讯普电子科技有限公司 DongGuan XunPu Electronics Co.,Ltd	
UNLESS OTHERWISE SPECIFIED TOLERANCES			TITLE: SD 4.0板上 NO PUSH 卡座	
DECIMALS:	ANGLES:	PAR	SD-402-ACP19	
.X:±0.30	X':±2'	DWN		
.XX:±0.20	X.X':±1'	CHKD		
.XXX:±0.10		APVD		
Website address		SCALE1:1	UNIT:MM	
		SIZE:A4	SHEET:1F1	REV:A



NOTES

1. 每卷包装数量: 380PCS/每卷
2. 卷带包装方式:

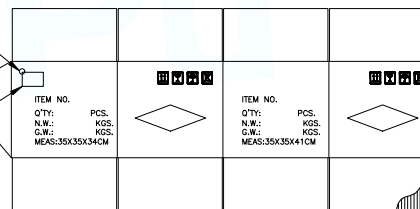


3. 每箱包装数量: 3040PCS/箱

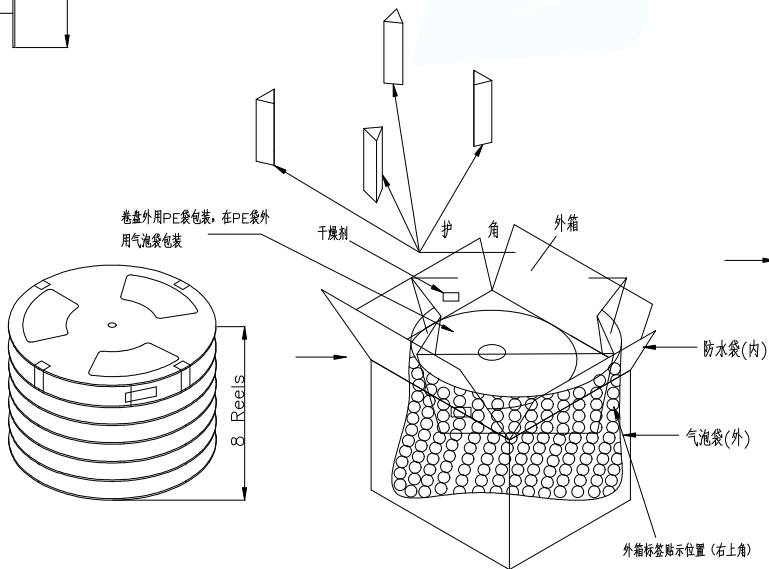
4. 纸箱 350mm*350mm*410mm, 材质K=K

RoHS 绿色环保标签

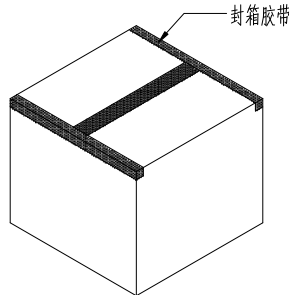
标签贴在纸箱左上角



纸箱示意图



将8卷产品放入箱内



MANUFACTURE DWG

东莞市讯普电子科技有限公司
DongGuan XunPu Electronics Co.,Ltd

UNLESS OTHERWISE SPECIFIED TOLERANCES

DECIMALS:	ANGLES:
.X: ±0.30	X.' : ±2'
.XX: ±0.20	X.X' : ±1'
.XXX: ±0.10	



Website address

TITLE: SD 4.0板上 NO PUSH 卡座	
PAR	SD-402-ACP19
DWN	
CHKD	
APVD	
SCALE 1:1	UNIT: MM
SIZE: A4	SHEET: 1F1
	REV: A