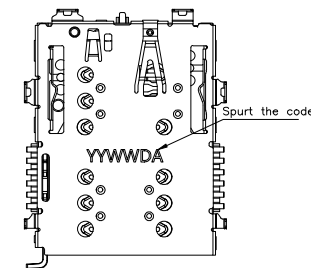
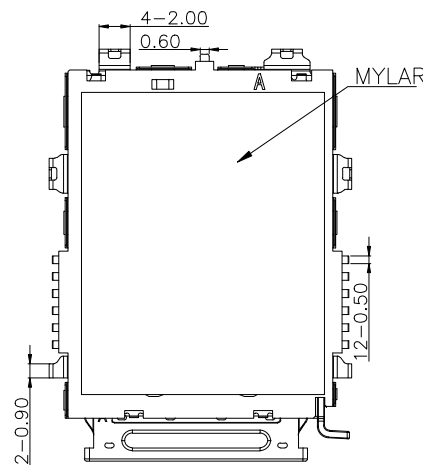
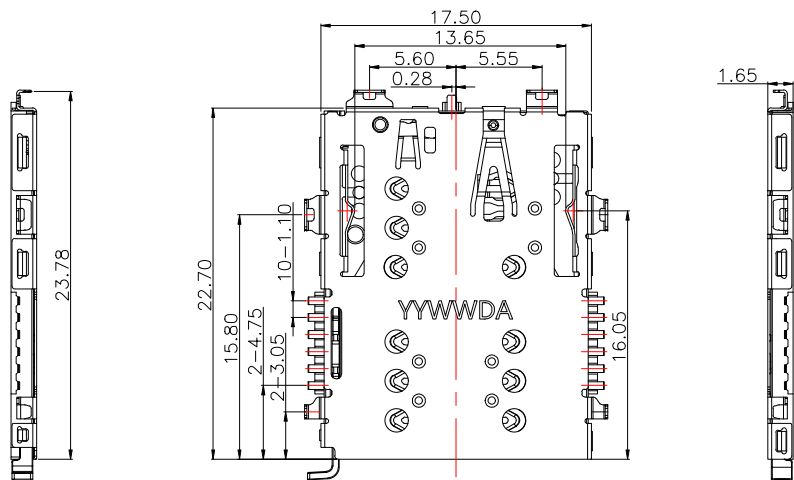
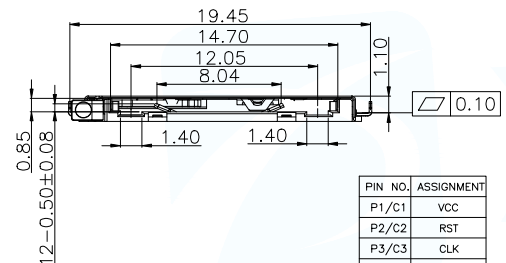


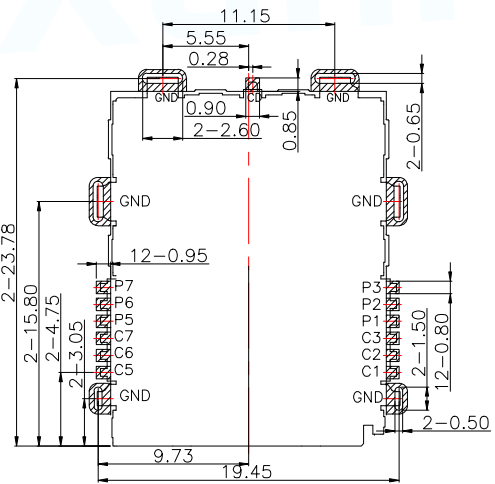
MAPX	MODIFICATION	DATE	DRAW	APPROVE



NOTES:
 1.MATERIAL:
 HOUSING: High Temperature Thermoplastic
 Terminal:Copper Alloy
 Shell: Stainless Steel
 2.PLATING:
 Terminal:40u" Ni UNDERPLATED OVERALL
 G/F PLATED ON CONTACT AREA AND SOLDER AREA
 Shell:30u" Ni UNDERPLATED OVERALL
 G/F PLATED ON CONTACT AREA AND SOLDER AREA
 3.TECHNICAL SPECIALITY:
 RATED VOLTAGE: 30V AC MAX.
 CURRENT RATING: 0.5A MAX.
 INSULATION RESISTANCE:1000M Ω MIN
 CONTACT REISTANCE:50m Ω MAX
 WITHSTANDING VOLTAGE: 500V AC FOR 1 MINUTES
 INSERTION FORCE:12N MAX
 PUSH-OUT FORCE:2N MIN
 OPERATING TEMPERATURE: -40 $^{\circ}$ C~+85 $^{\circ}$ C Humidity 80% R.H MAX

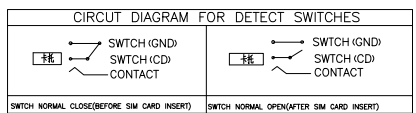
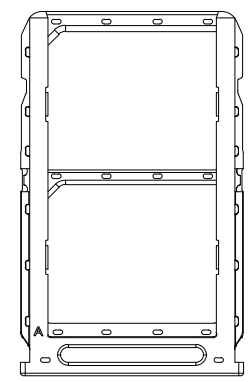
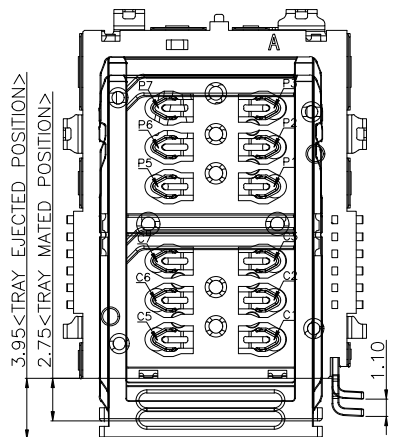


PIN NO.	ASSIGNMENT
P1/C1	VCC
P2/C2	RST
P3/C3	CLK
P5/C5	GND
P6/C6	VPP
P7/C7	I/O
CD	Detect Switch



RECOMMENDED PCB LAYOUT
 TOLERANCE: \pm 0.05

SMT SOLDER AREA
 COPPER RESTRICTED AREA
 1.TOUCH AREA OF CONTACT TIPS NO ELECTRICAL FUNCTION
 2.NO FIRST PCB_LAYOUT CIRCUITS IN THE AREA



ITEM	PARTNAME	MATERIAL	FINISH	QTY.
1	HOUSING	LCP	NA	1
2	CONTACT	C5210-EH	1.25um NI UNDER PLATED OVERALL 0.025um Au ON CONTACT AND SOLDER AREA	1
3	SHELL	SUS304-H	1.25um NI UNDER PLATED OVERALL 0.025um Au ON CONTACT AND SOLDER AREA	1
4	EJECTBAR	SUS304-3/4H	NA	1
5	EJECTLEVER	SUS304-3/4H	NA	1
6	MYLAR	PET	NA	1

MANUFACTURE DWG

UNLESS OTHERWISE SPECIFIED TOLERANCES

DECIMALS: .X: \pm 0.30 .XX: \pm 0.20 .XXX: \pm 0.10

ANGLES: 'X': \pm 2' .X': \pm 1' .XX': \pm 0.5'

CUSTOMER COPY

东莞市讯普电子科技有限公司
DongGuan XunPu Electronics Co.,Ltd

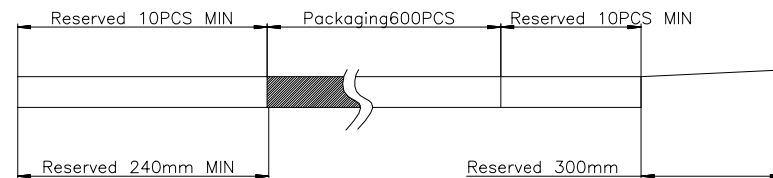
TITLE: 规格 1.10H PIN-PUSH 及 NANO卡座

PAR	MCS-222
DWN	
CHKD	
APVD	
SCALE1:1	UNIT:MM
SIZE:A4	SHEET:1F1
REV:A	

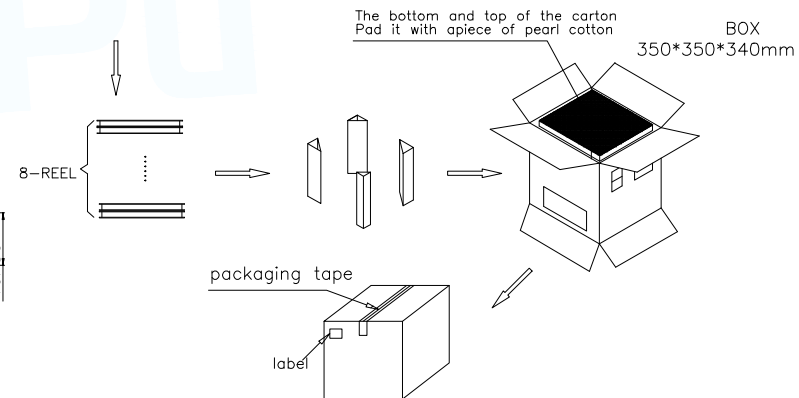
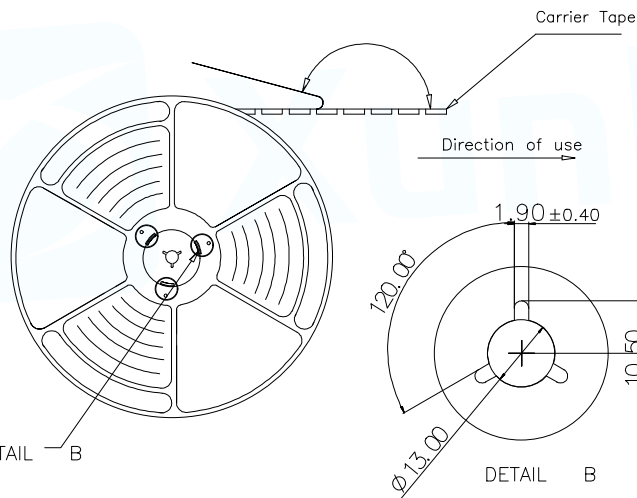
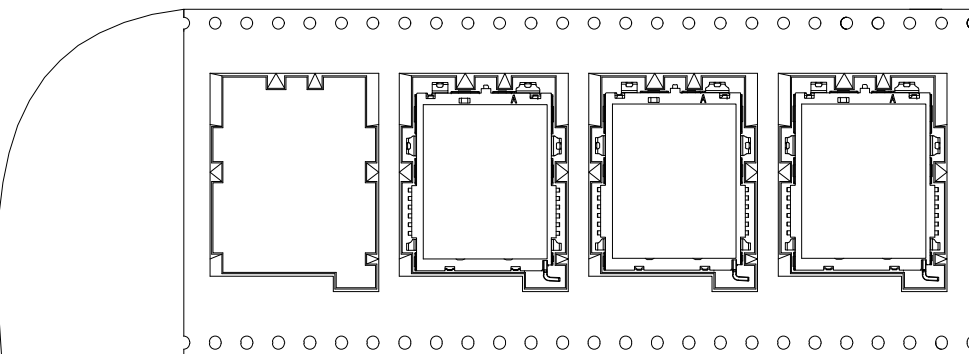
Direction of use

NOTES:

1. Packing quantity per plate: 600PCS/Plate
2. Loading and packing method



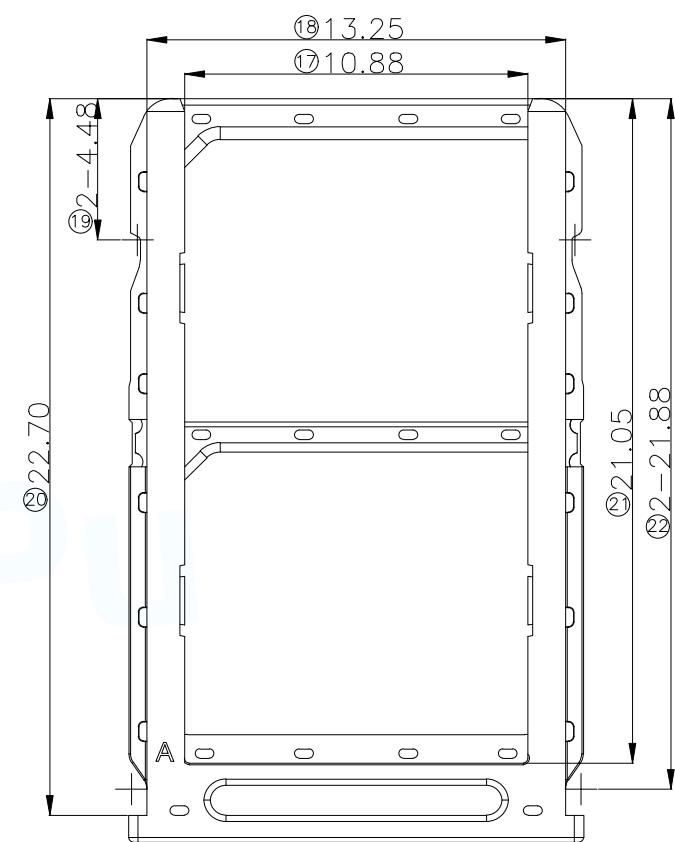
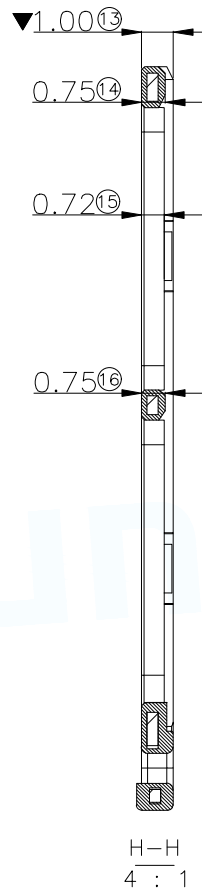
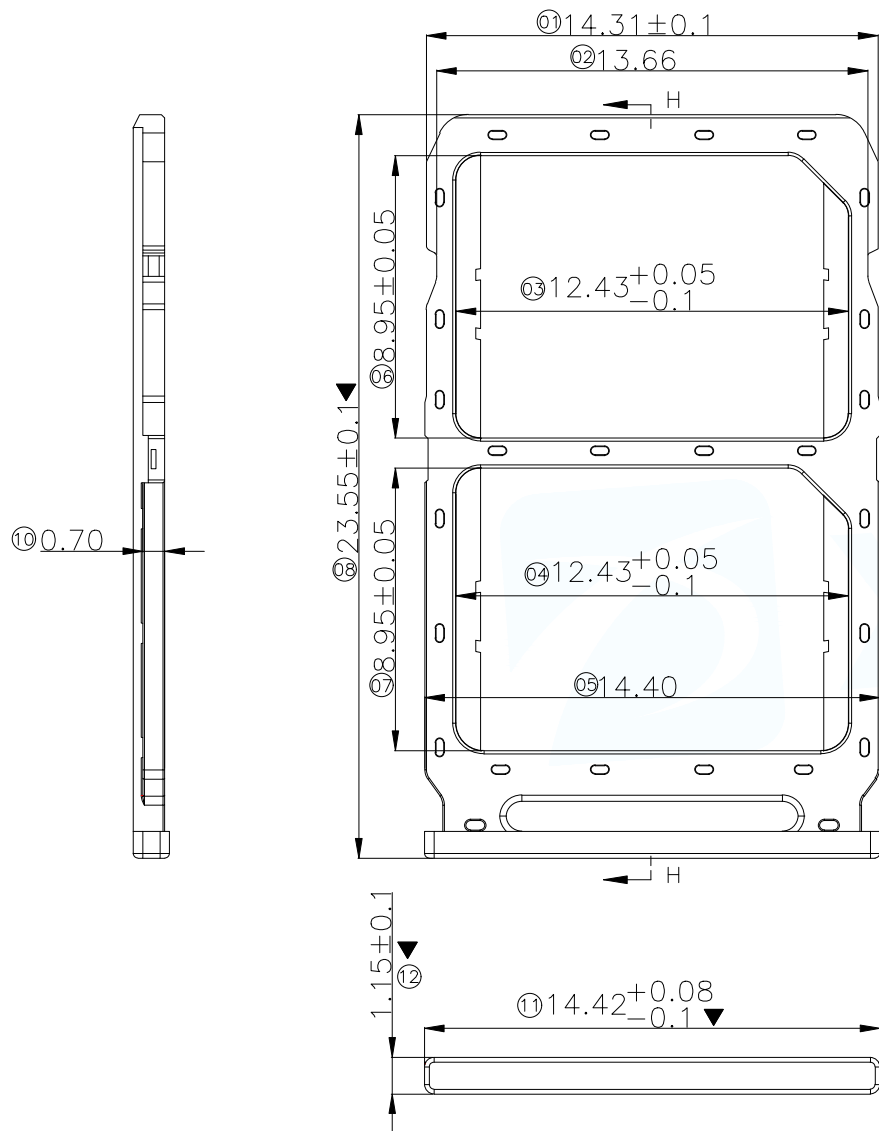
3. Total packaging: 3600PCS/Box



Description	Quantity
Carrier band (transparent, PET W=24 PH=16,T=0.3)	244.8m
Box (K=K,T=7.0,350*350*340)	1PCS
PE Bag (T=0.08mm, 730*760*730)	1PCS
Self-adhesive (W=25.50)	247.2m
Beam (K=K, T=7.0,95*95*190)	4PCS
Pearl Wool (340*340*18)	2PCS
REEL (BLUE, 13Inches*32mm, φ330)	8PCS

MANUFACTURE DWG			东莞市讯普电子科技有限公司 DongGuan XunPu Electronics Co.,Ltd	
UNLESS OTHERWISE SPECIFIED TOLERANCES			TITLE: 贴片 1.10H PIN-PUSH 贴片 NANO 封装	
DECIMALS:	ANGLES:	PAR	MCS-222	
.X:±0.30	.X':±2°	DWN		
.XX:±0.20	.X':±1°	CHKD		
.XXX:±0.10	.XX':±0.5°	APVD		
CUSTOMER COPY		SCALE 1:1	UNIT:MM	
		SIZE:A4	SHEET:1F1	REV:A

12	13	14	15
MAPX	MODIFICATION	DATE	APPROVE

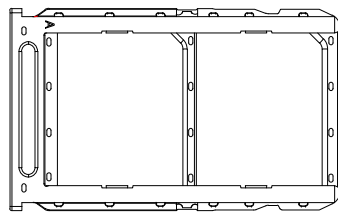


NOTES:

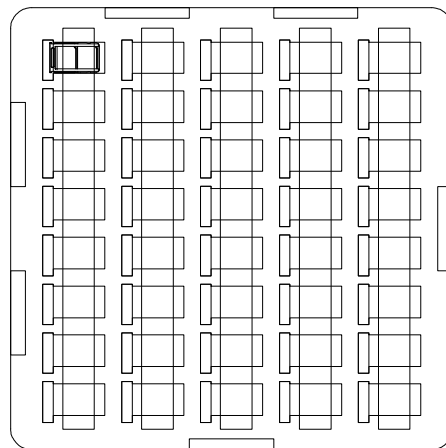
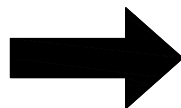
- MATERIAL:
HOUSING:High Temperature Thermoplastic
Terminal:Copper Alloy
Shell:Stainless Steel
- Products should not shrink,dirty,deformation,lackofmaterial
- Products must comply with RoHS requirements

MANUFACTURE DWG			 东莞市讯普电子科技有限公司 DongGuan XunPu Electronics Co.,Ltd	
UNLESS OTHERWISE SPECIFIED TOLERANCES			TITLE: 规格 1.10H PIN-PUSH 双 NANO 卡座	
DECIMALS:	ANGLES:	PAR	MCS-222-KT1	
.X:±0.30	.X':±2°	DWN		
.XX:±0.20	.X':±1°	CHKD		
.XXX:±0.10	.XX':±0.5°	APVD		
CUSTOMER COPY		SCALE:1:1	UNIT:MM	
		SIZE:A4	SHEET:1F1	REV:A

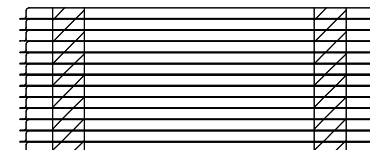
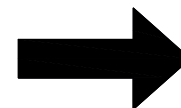
MAPX	MODIFICATION	DATE	DRAW	APPROVE



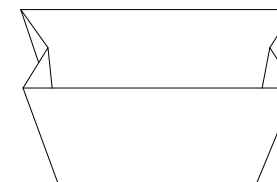
PRODUCT



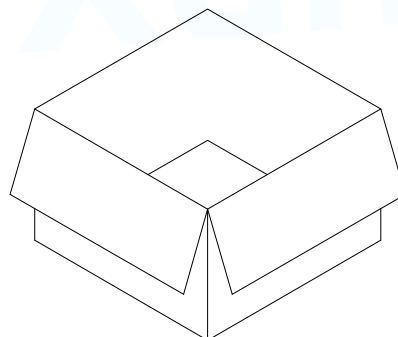
TRAY



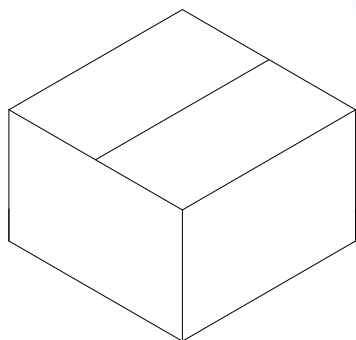
21PCS/Box
An empty plate on top



PE Bag



BOX



MANUFACTURE DWG		 东莞市讯普电子科技有限公司 DongGuan XunPu Electronics Co.,Ltd	TITLE: 贴片1.10H PIN-PUSH 贴片NANO封装	
UNLESS OTHERWISE SPECIFIED TOLERANCES			PAR	MCS-222-KT1
DECIMALS:	ANGLES:	DWN		
.X:±0.30	.X':±2°	CHKD		
.XX:±0.20	.X'':±1°	APVD		
.XXX:±0.10	.XX':±0.5°	SCALE 1:1	UNIT:MM	
		SIZE:A4	SHEET:1F1	
		CUSTOMER COPY	REV:A	



A
B
C
D
E
F
G
H
I
J

A
B
C
D
E
F
G
H
I
J

1 2 3 4 5 6 7 8 9 10 11 12 13 14 15