

THIS DRAWING IS UNPUBLISHED.

RELEASED FOR PUBLICATION

---

© COPYRIGHT - By -

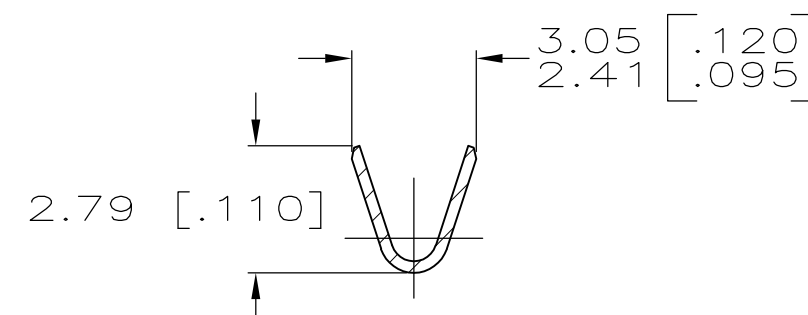
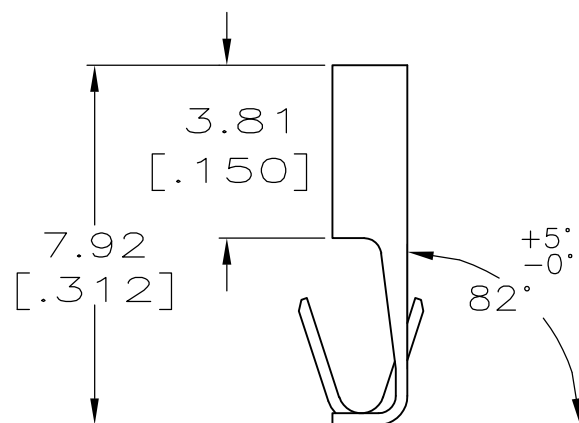
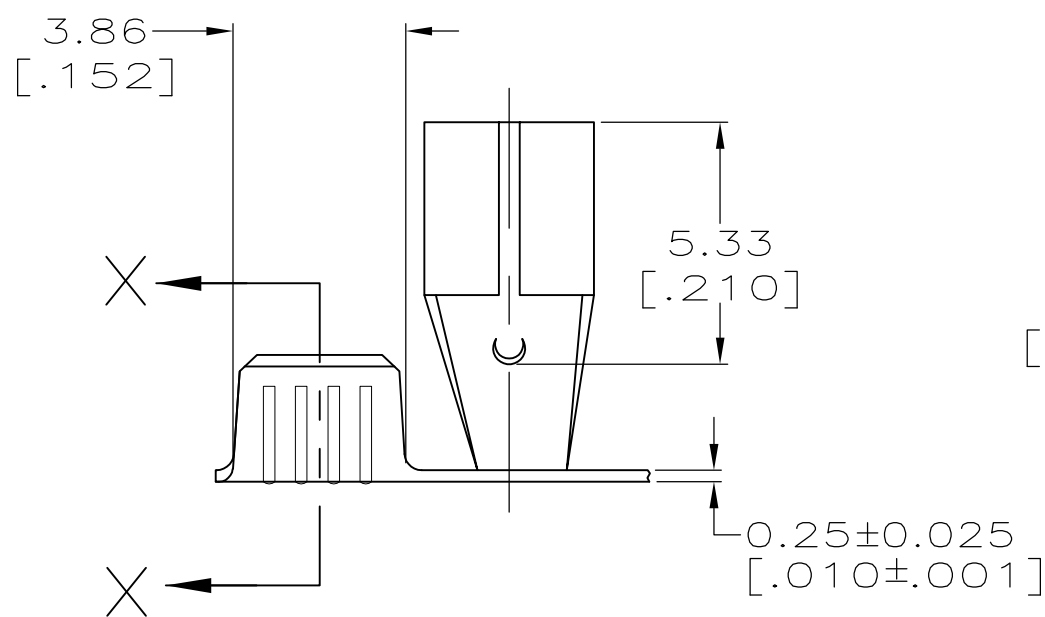
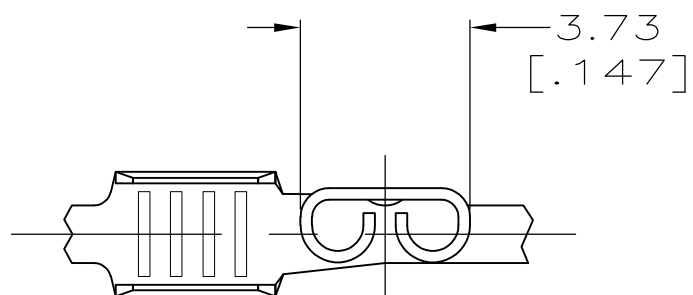
ALL RIGHTS RESERVED.

LOC AF DIST 50

REVISIONS


P	LTR	DESCRIPTION	DATE	DWN	APVD
	B	REVISED PER ECR-12-013518	24NOV12	KH	PD

- 1 CONTINUOUS STRIP ON REELS.
- 2 MATING TAB THK IS  $0.38 \pm 0.025$  [.015 ± .001]
- 3 WIRE SIZE IS [#22-#16] AWG.



SECTION X-X

63990-1  
PART NO.

THIS DRAWING IS A CONTROLLED DOCUMENT.		DWN JR RUTH 08APR99	 <b>TE Connectivity</b>														
DIMENSIONS: mm [INCHES]		CHK MS FEHER 08APR99															
TOLERANCES UNLESS OTHERWISE SPECIFIED:		APVD S HEADER 08APR99	NAME RECEPTACLE, FASTON, FLAG, 2.54 [.110] SERIES														
<table border="0"> <tr><td>0 PLC</td><td>± -</td></tr> <tr><td>1 PLC</td><td>± -</td></tr> <tr><td>2 PLC</td><td>± 0.25 [.010]</td></tr> <tr><td>3 PLC</td><td>± -</td></tr> <tr><td>4 PLC</td><td>± -</td></tr> <tr><td>ANGLES</td><td>± -</td></tr> </table>		0 PLC	± -	1 PLC	± -	2 PLC	± 0.25 [.010]	3 PLC	± -	4 PLC	± -	ANGLES	± -	PRODUCT SPEC -	SIZE A3 CAGE CODE 00779 DRAWING NO C-63990 RESTRICTED TO -		
0 PLC	± -																
1 PLC	± -																
2 PLC	± 0.25 [.010]																
3 PLC	± -																
4 PLC	± -																
ANGLES	± -																
MATERIAL BRASS	FINISH PRE-TIN	APPLICATION SPEC -	WEIGHT -														
		CUSTOMER DRAWING		SCALE 5:1	SHEET 1 OF 1												