

# APPROVAL SHEET

(RoHS Compliant & Halogen Free)

CUSTOMER : \_\_\_\_\_  
CUSTOMER'S : \_\_\_\_\_  
PART NO. : \_\_\_\_\_  
DESCRIPTION : **Multi-layer Chip Balun**  
PART NO. : **LTU-0605-0G9H6-A1**  
DATE : \_\_\_\_\_  
AUTHORIZED BY : *Yunwei Lin*

	FULLY APPROVED	PARTIALLY APPROVED	REJECTED
SIGN			
SUGGESTION			

美磊科技股份有限公司

MAG. LAYERS SCIENTIFIC-TECHNICS CO., LTD

HEAD OFFICE / PINGZHEN PLANT

270, Nan-Feng Road, Pingzhen District, Taoyuan City, Taiwan

TEL: 886-3-4159111 FAX: 886-3-4192255

<http://www.maglayers.com.tw>

E-mail : [info@maglayers.com.tw](mailto:info@maglayers.com.tw)



## ■ Revision History

Version	Date	Description	Approved by	Prepared by
1	2018/05/08	Initial specification.	Yunwei	KC

## APPLICATION

WLAN, Bluetooth, Home RF, LTE.

## FEATURES

- Compact Size**  
Miniaturized SMD packaged in low profile and lightweight.
- Low loss**  
Low insertion loss, high attenuation.
- High Soldering Heat Resistance**  
High quality termination allows both flow and re-flow soldering methods to be applied.
- Characteristics**  
Eliminate noise over a wide frequency range. Idea for high frequency and space limited designs.
- Available in tape and reel packaging for automatic mounting**

## PRODUCT IDENTIFICATION

LTU - 0605 - ###xx - A1 - □□  
①                      ②                      ③                      ④                      ⑤

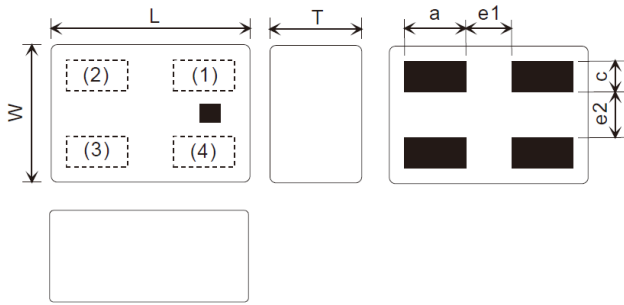
- ① Product Code
- ② Dimension Code
- ③ Series Type (### represents center frequency and xx represents material type)
- ④ Design Code
- ⑤ Pattern Code

## ELECTRICAL REQUIREMENTS

Part NO.	Frequency	Bandwidth	VSWR	Insertion Loss in BW
LTU-0605-0G9H6-A1	844.5 MHz	±115.5 MHz	2.0 max.	0.85dB max.
	Phase Difference at Balance Port	Amplitude Imbalance at Balance Port	Impedance Unbalance / Balance Port	
	180°±10°	4.8dB max	50 / 100 ohm	

Operating Temperature Range: -40~85°C  
Power Capacity: 3W max.

## PRODUCT DIMENSION

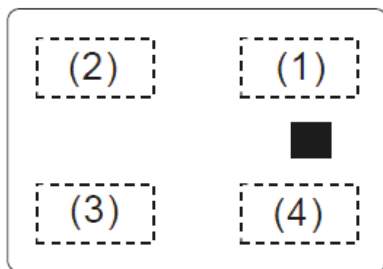


L	W	T	a
0.65±0.1	0.50±0.1	0.4±0.1	0.20±0.05
c	e1	e2	
0.10±0.05	0.20±0.05	0.25±0.05	

NOTE : Dimensions in mm

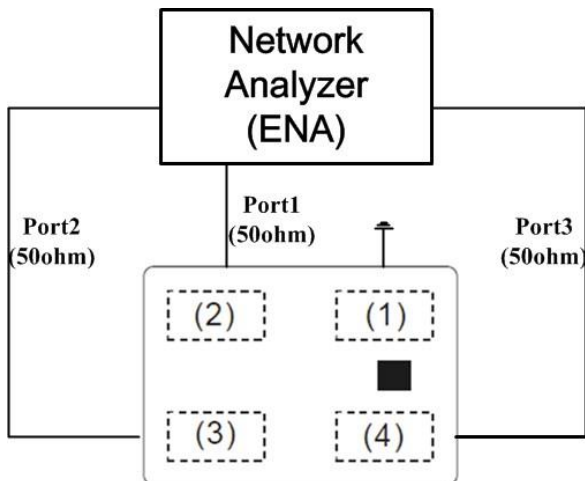
## TERMINAL CONFIGURATION

Top View



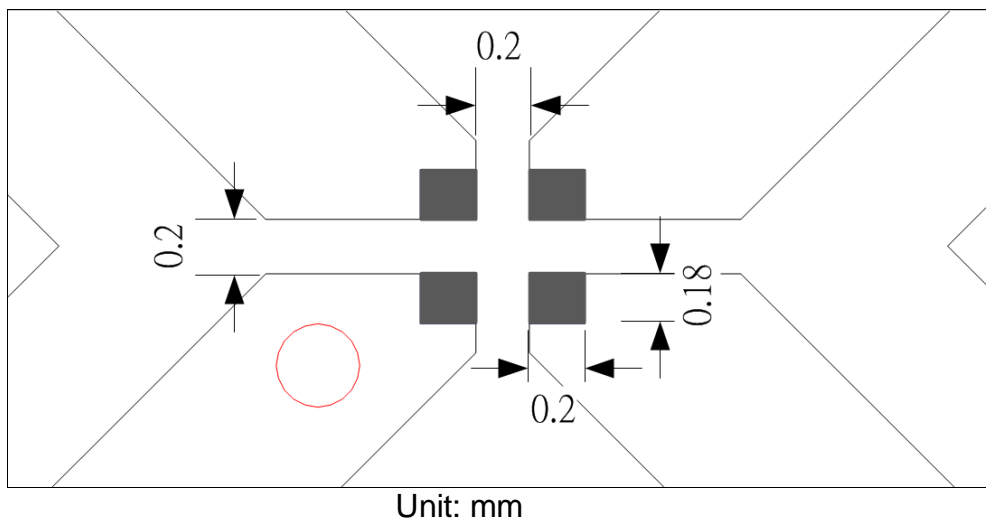
- (1) GND
- (2) Unbalance Port
- (3) Balance Port
- (4) Balance Port

## MEASURING DIAGRAM



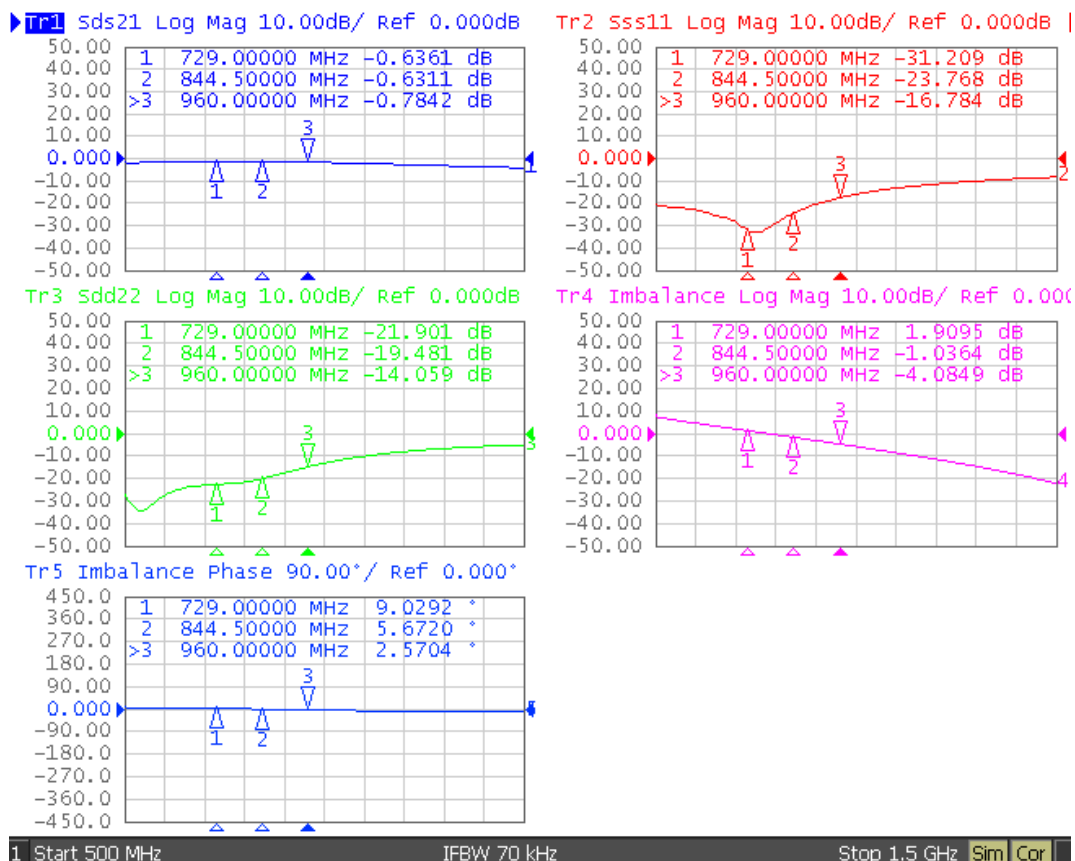
Test Instrument:  
Agilent E5071C Network Analyzer

## RECOMMENDED PCB LAYOUT AND LAND PATTERN



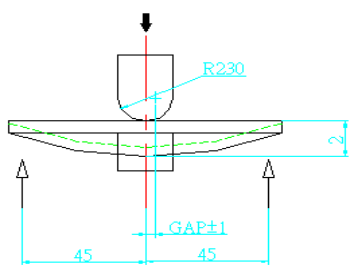
- ⊙ Line width should be designed to match 50Ω characteristic impedance, depending on PCB material and thickness.

## ELECTRICAL CHARACTERISTICS ( T=25°C)



## RELIABILITY TEST

### Mechanical Test

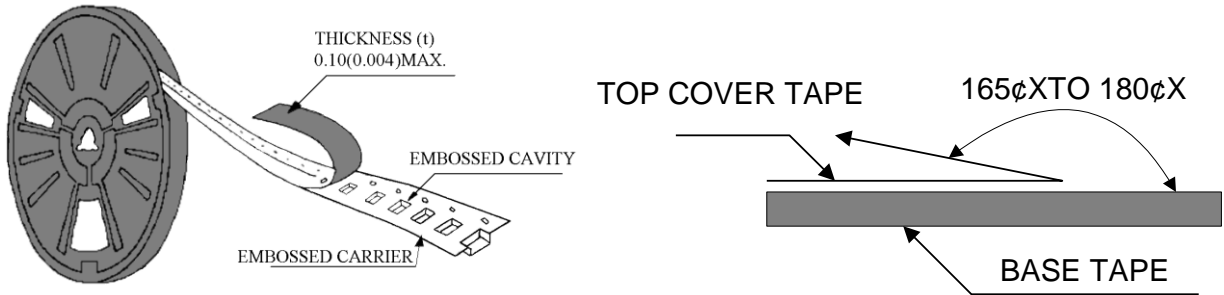
Item	Specification	Test Condition
<b>Vibration</b>	No apparent damage	10 Hz/min~55 Hz/min~10 Hz/min vibration frequency with 1.5 mm amplitude for two hours in x, y, z directions
<b>Drop shock</b>	No apparent damage	Dropped onto printed circuit board from 100cm height three times in x, y, z directions. The terminals shall be protected.
<b>Soldering heat resistance</b>	No apparent damage	Preheating temperature : $150\pm 10^{\circ}\text{C}$ Preheating time : 1 to 2 minutes Solder bath temperature : $260\pm 5^{\circ}\text{C}$ Bathing time : $5\pm 0.5$ seconds
<b>Bending test onto printed circuit board</b>	No apparent damage	Solder specimen LTCC components on the test printed circuit board (L: 100 x W: 40 x T: 1.6mm) in appended recommended PCB pattern. Apply the load in direction of the arrow until bending reaches 2 mm. 
<b>Solderability</b>	No apparent damage	The dipped surface of the terminal shall be at least 75% covered with solder after dipped in solder bath of $245\pm 5^{\circ}\text{C}$ for $3\pm 0.5$ seconds.

### Environment Test

Item	Specification	Test Condition
<b>Thermal shock</b>	No apparent damage Fulfill the electrical spec. after test	$-40^{\circ}\text{C} \sim +85^{\circ}\text{C}$ for 100 cycles each cycle being 30 min
<b>Humidity resistance</b>	No apparent damage Fulfill the electrical spec. after test	$85\pm 2^{\circ}\text{C}$ , 80~90% R.H. for 500 hours
<b>High temperature resistance</b>	No apparent damage Fulfill the electrical spec. after test	$+85\pm 2^{\circ}\text{C}$ for 500 hours
<b>Low temperature resistance</b>	No apparent damage Fulfill the electrical spec. after test	$-40\pm 3^{\circ}\text{C}$ for 500 hours

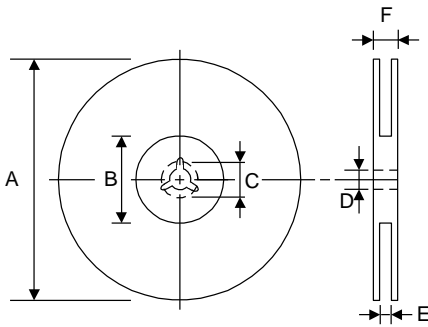
# PACKAGING FOR SMC

## Peel-off force



The force for peeling off cover tape is 10 grams in the arrow direction.

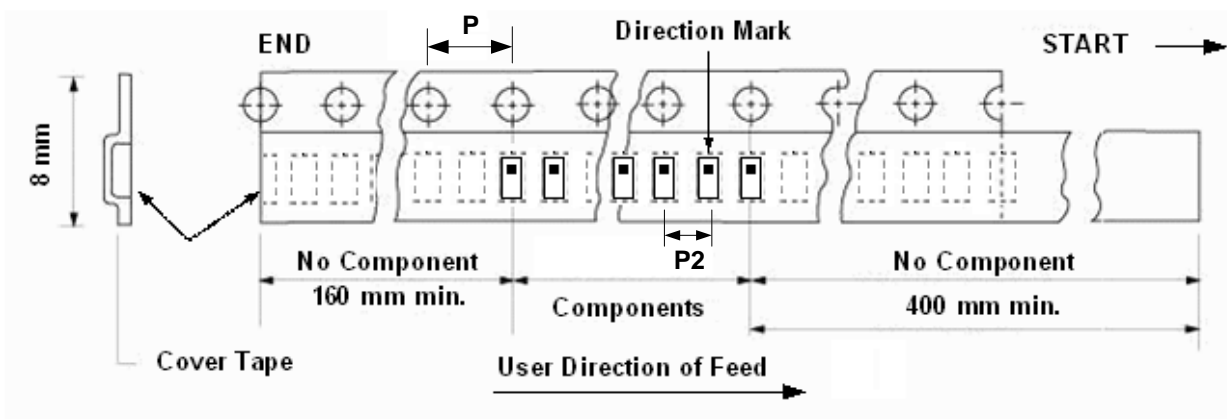
## Dimension (Unit: mm)



TYPE	A	B	C	D	E	F
8 mm	178±1	60 +0.5 -0	-	13 ±0.2	9 ±0.5	12 ±0.5
12 mm	178±0.3	60 ±0.2	19.3 ±0.1	13.5 ±0.1	13.6 ±0.1	-

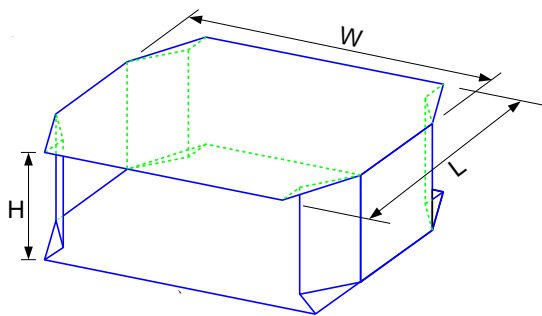
## Taping quantity

SERIES	5824 5724	5320 5220	4532	4516	3225	3216 2520	2012 1608	1005 0605
PCS/Reel	5000	3000	1000	2000	2500	3000	4000	10000



P= 4 mm; P2= 2 mm

## TAPE PACKING CASE



Unit:cm

No. of Reels	W	L	H
2	18±0.5	18±0.5	2.4±0.2
3	18±0.5	18±0.5	3.6±0.2
4	18±0.5	18±0.5	4.8±0.2
5	18±0.5	18±0.5	6.0±0.2

## OPERATION TEMPERATURE

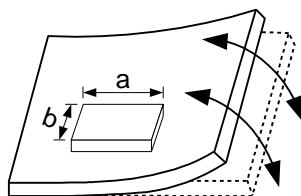
-40°C~+85°C

## STORAGE CONDITION

The temperature should be within -20 ~ 35°C and humidity should be less than 75% RH. The product should be used within 6 months from the time of delivery.

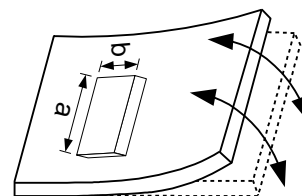
## ATTENTION REGARDING PCB BENDING

- (a) PCB shall be designed so that products are not subjected to the mechanical stress for board warpage. Product shall be located in the sideway direction to the mechanical stress.



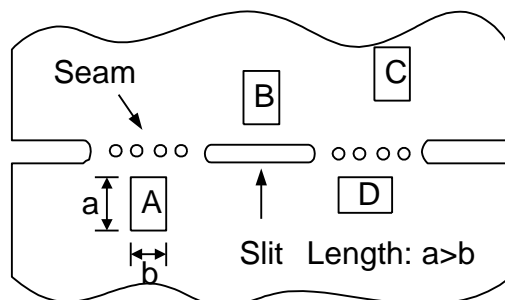
(Poor example)

Length:  $a > b$



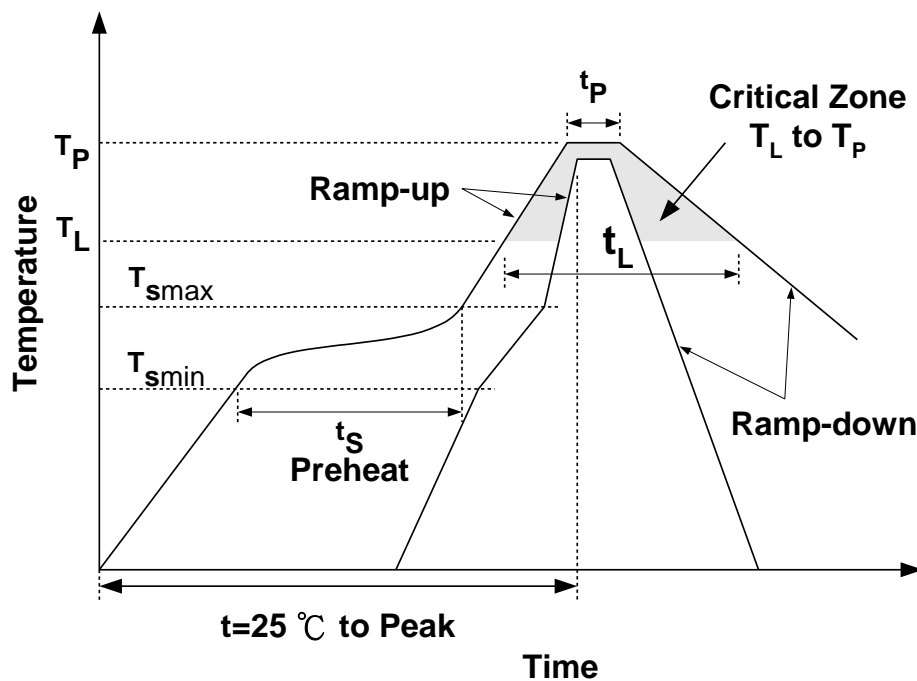
(Good example)

- (b) Products (A,B,C,D) shall be located carefully so that products are not subjected to the mechanical stress due to warping the board. Because they may be subjected to the mechanical stress in order of  $A > C > B \approx D$ .





## RECOMMENDED REFLOW SOLDERING PROFILE



Profile Feature		Sn-Pb	Pb-Free
Preheat	$t_s$	60~120 seconds	60~180 seconds
	$T_{smin}$	100°C	150°C
	$T_{smax}$	150°C	200°C
Average ramp-up rate ( $T_{smax}$ to $T_P$ )		3°C/second max.	3°C/second max.
Time main above	Temperature ( $T_L$ )	183°C	217°C
	Time ( $t_L$ )	60~150 seconds	60~150 seconds
Peak temperature ( $T_P$ )		230°C	250~260°C
Time within 5°C of actual peak temperature ( $t_p$ )		10 seconds	10 seconds
Ramp-down rate		6°C/sec max.	6°C/sec max.
Time 25°C to peak temperature		6 minutes max.	8 minutes max.

## NOTES

The contents of this data sheet are subject to change without notice. Please confirm the specifications and delivery conditions when placing your order.