

APPROVAL SHEET

(RoHS Compliant & Halogen Free)

CUSTOMER : _____

CUSTOMER'S PART NO. : _____

DESCRIPTION : **Multi-layer Chip Diplexer for 802.11 a/b/g**

PART NO. : **LTD-1608-KLXJN-A1**

DATE : _____

AUTHORIZED BY : *Derek Wei*

	FULLY APPROVED	PARTIALLY APPROVED	REJECTED
SIGN			
SUGGESTION			

美磊科技股份有限公司

MAG. LAYERS SCIENTIFIC-TECHNICS CO., LTD

HEAD OFFICE / PINGZHEN PLANT

270, Nan-Feng Road, Pingzhen District, Taoyuan City, Taiwan

TEL : 886-3-4159111 FAX : 886-3-4192255

[http : //www.maglayers.com.tw](http://www.maglayers.com.tw)

[E-mail : info@maglayers.com.tw](mailto:info@maglayers.com.tw)

Revision History

Version	Date	Description	Approved by	Prepared by
1	2019/04/18	Initial specification.	CF	KC
2	2019/05/27	Update high band 3'ed harmonic.	CF	KC
3	2020/04/16	Update electrical requirements. Add MSL rating.	CF	Chang



■ APPLICATION

Dual-band WLAN.

■ FEATURES

- **Combination of 2.4GHz BPF and 5GHz BPF**
- **Compact Size**
Miniaturized SMD packaged in low profile and lightweight.
- **Low loss**
Low insertion loss, high attenuation.
- **High Soldering Heat Resistance**
High quality termination allows both flow and re-flow soldering methods to be applied.
- **Characteristics**
Eliminate noise over a wide frequency range. Idea for high frequency and space limited designs.
- **Available in tape and reel packaging for automatic mounting**

■ PRODUCT IDENTIFICATION

L T D - 1 6 0 8 - ### x x - A 1 - □ □
① ② ③ ④ ⑤

- ① Product Code
- ② Dimension Code
- ③ Series Type (### represents center frequency and xx represents material type)
- ④ Design Code
- ⑤ Pattern Code

ELECTRICAL REQUIREMENTS

Low-Band

Item	Frequency Range(MHz)	Min.	Typ.	Max.
Insertion Loss (dB) at 25°C	2400~2500	-	0.35	0.6
Insertion Loss (dB) at -40~105°C	2400~2500	-	-	0.8
Return Loss (dB)	2400~2500	10	24.1	-
Attenuation	4800~5000	30	37.2	-
	5000~5950	30	38.1	-
	7200~7500	20	38.3	-

High-Band

Item	Frequency Range(MHz)	Min.	Typ.	Max.
Insertion Loss (dB) at 25°C	4900~5950	-	0.66	0.78
Insertion Loss (dB) at -40~105°C	4900~5950	-	-	0.98
Return Loss (dB)	4900~5950	10	15.2	-
Attenuation	824~2170	26	31.9	-
	2400~2500	30	43.2	-
	9800~11900	25	28.8	-
	14700~17850	15	18.5	-

Common

Item	Frequency Range(MHz)	Min.	Typ.	Max.
Return Loss (dB)	2400~2500	10	24.1	-
	4900~5950	10	15	-

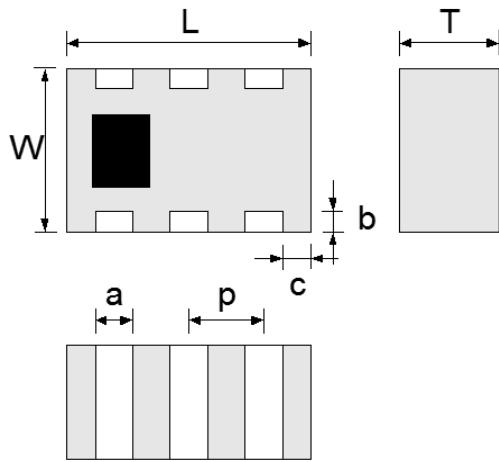
Isolation

Item	Frequency Range(MHz)	Min.	Typ.	Max.
High to Low (dB)	2400~2500	38	43.3	-
	4900~5950	38	39.3	-

Operating Temperature Range : -40~105°C

Power Capacity : 3W max.

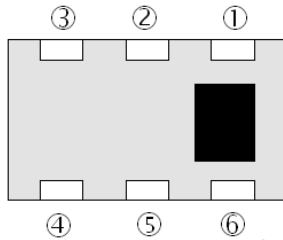
PRODUCT DIMENSION



L	W	T	a
1.60±0.15	0.80±0.10	0.60±0.10	0.20±0.10
b	c	p	
0.15±0.10	0.20±0.15	0.50±0.05	

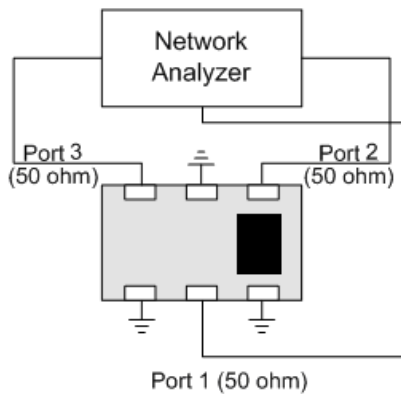
NOTE : Dimensions in mm.

TERMINAL CONFIGURATION



- (1) High Frequency Port
- (2) GND
- (3) Low Frequency Port
- (4) GND
- (5) Common Port
- (6) GND

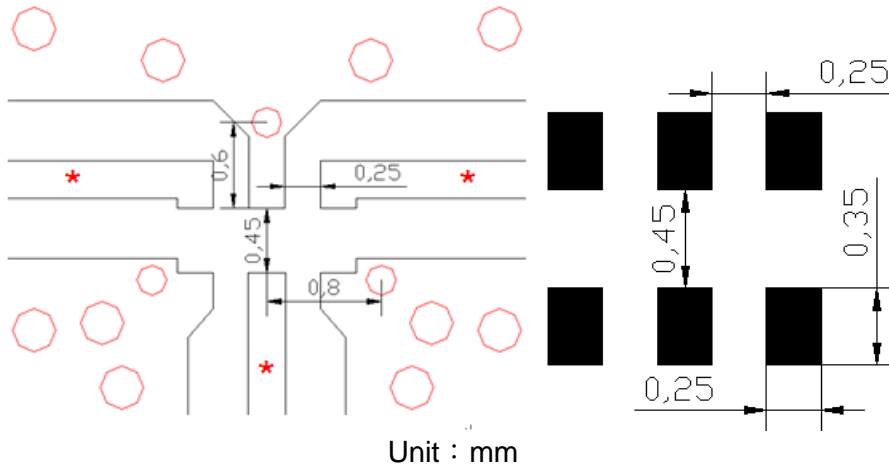
MEASURING DIAGRAM



Test Instrument :
Agilent E5071C Network Analyzer or equivalent.



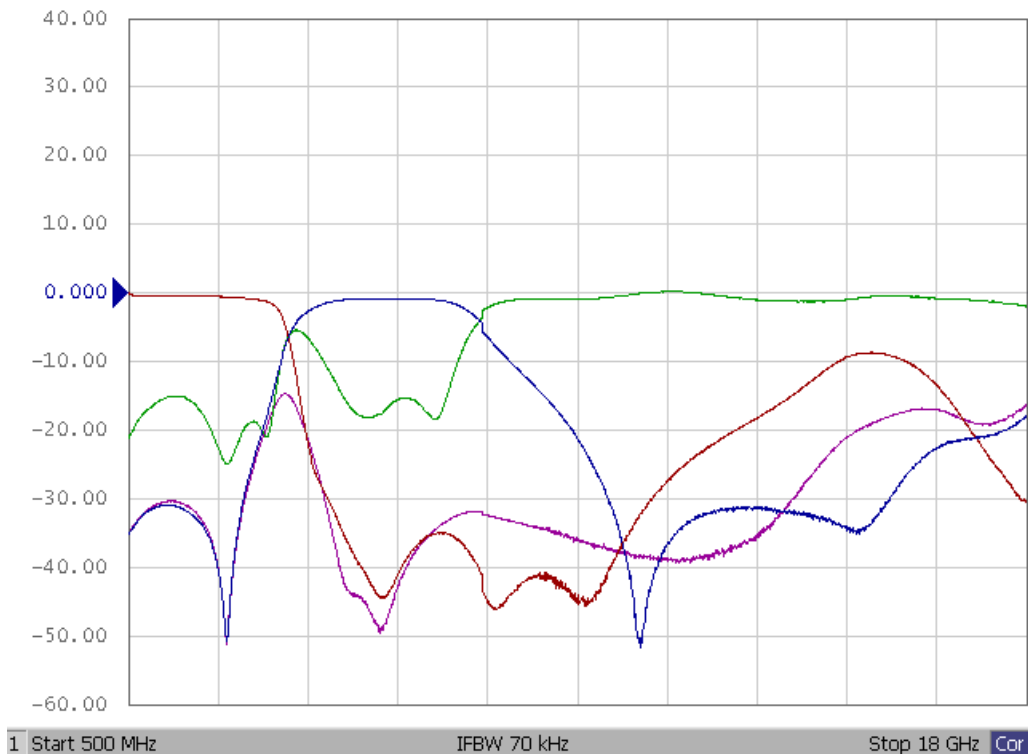
RECOMMENDED PCB LAYOUT AND LAND PATTERN



⊙ Line width should be designed to match 50Ω characteristic impedance, depending on PCB material and thickness.

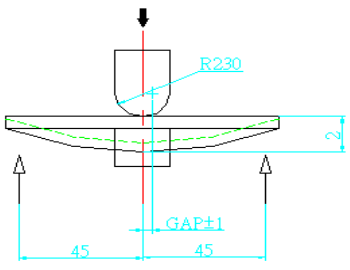
ELECTRICAL CHARACTERISTICS (T=25°C)

Tr1 S31 Log Mag 10.00dB/ Ref 0.000dB [F3]
 Tr2 S21 Log Mag 10.00dB/ Ref 0.000dB [F3]
 Tr3 S11 Log Mag 10.00dB/ Ref 0.000dB [F3]
 Tr4 S32 Log Mag 10.00dB/ Ref 0.000dB [F3]



RELIABILITY TEST

Mechanical Test

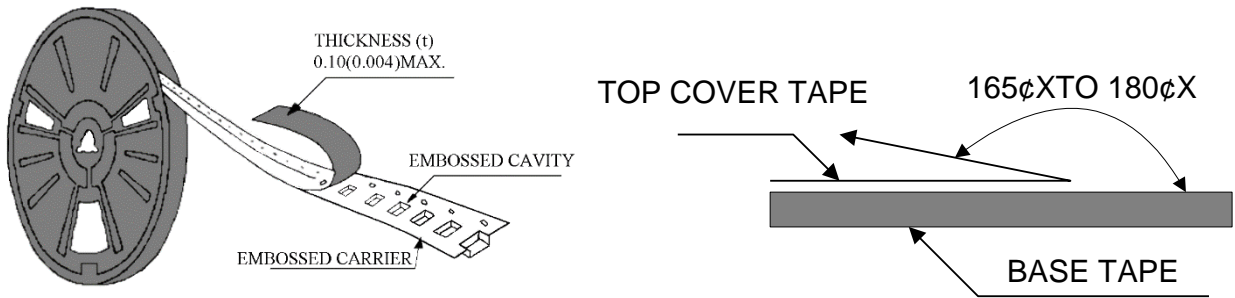
Item	Test Condition	Specification
Vibration	10 Hz/min~55 Hz/min~10 Hz/min vibration frequency with 1.5 mm amplitude for two hours in x, y, z directions	No apparent damage
Drop shock	Dropped onto printed circuit board from 100cm height three times in x, y, z directions. The terminals shall be protected.	No apparent damage
Soldering heat resistance	Preheating temperature : $150\pm 10^{\circ}\text{C}$ Preheating time : 1 to 2 minutes Solder bath temperature : $260\pm 5^{\circ}\text{C}$ Bathing time : 5 ± 0.5 seconds	No apparent damage
Bending test onto printed circuit board	<p>Solder specimen LTCC components on the test printed circuit board (L: 100 x W: 40 x T: 1.6mm) in appended recommended PCB pattern.</p> <p>Apply the load in direction of the arrow until bending reaches 2 mm.</p>  <p style="text-align: right;">Unit: mm</p>	No apparent damage
Solderability	The dipped surface of the terminal shall be at least 75% covered with solder after dipped in solder bath of $245\pm 5^{\circ}\text{C}$ for 3 ± 0.5 seconds.	No apparent damage

Environment Test

Thermal shock	$-40^{\circ}\text{C} \sim 105^{\circ}\text{C}$ for 100 cycles each cycle being 30 min	No apparent damage Fulfill the electrical spec. after test
Humidity resistance	$105\pm 2^{\circ}\text{C}$, 80~90% R.H. for 500 hours	No apparent damage Fulfill the electrical spec. after test
High temperature resistance	$105\pm 2^{\circ}\text{C}$ for 500 hours	No apparent damage Fulfill the electrical spec. after test
Low temperature resistance	$-40\pm 3^{\circ}\text{C}$ for 500 hours	No apparent damage Fulfill the electrical spec. after test

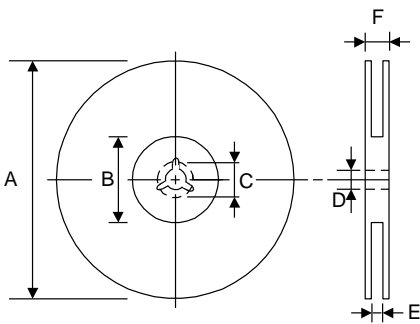
PACKAGING FOR SMC

Peel-off force



The force for peeling off cover tape is 10 grams in the arrow direction.

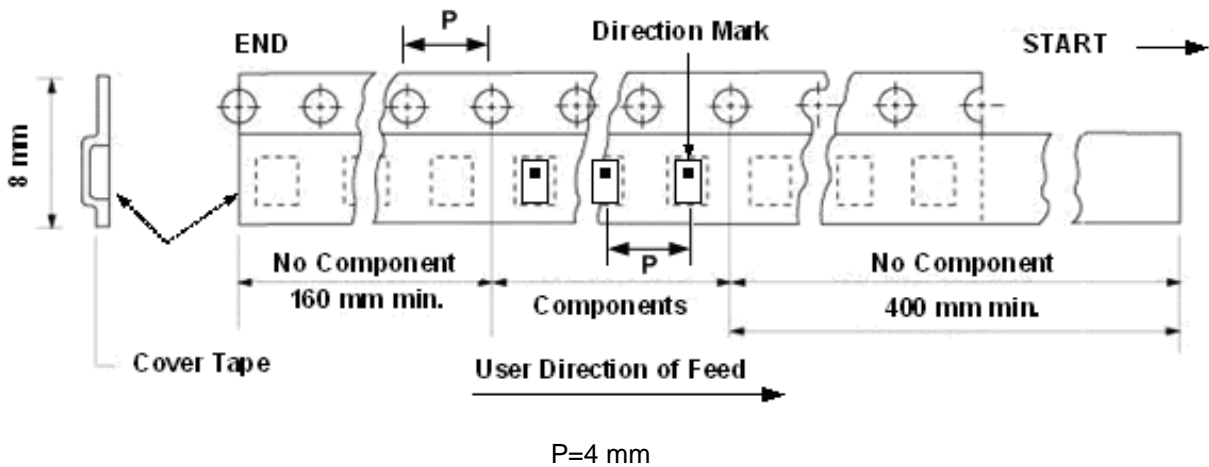
Dimension (Unit: mm)



TYPE	A	B	C	D	E	F
8 mm	178±1	60+0.5 -0	-	13±0.2	9±0.5	12±0.5
12 mm	178±0.3	60±0.2	19.3±0.1	13.5±0.1	13.6±0.1	-

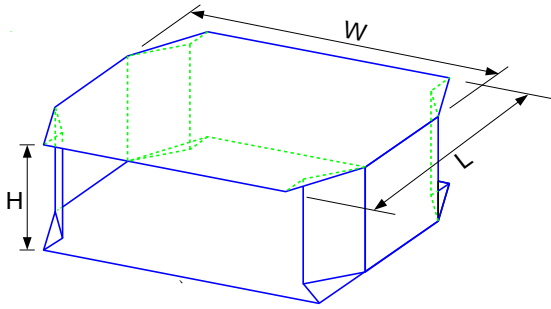
Taping quantity

SERIES	5824 5724	5320 5220	4532	4516	3225	3216 2520	2012 1608	1005 0605
PCS/Reel	5000	3000	1000	2000	2500	3000	4000	10000



TAPE PACKING CASE

Unit:cm



No. of Reels	W	L	H
2	18±0.5	18±0.5	2.4±0.2
3	18±0.5	18±0.5	3.6±0.2
4	18±0.5	18±0.5	4.8±0.2
5	18±0.5	18±0.5	6.0±0.2

MSL RATING

Level 1

OPERATION TEMPERATURE

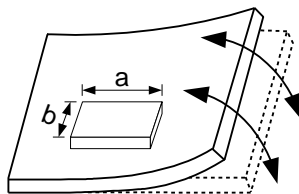
-40°C~105°C

STORAGE CONDITION

The temperature should be within -40~105°C and humidity should be less than 75% RH. The product should be used within 6 months from the time of delivery.

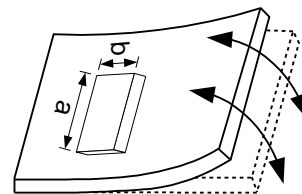
ATTENTION REGARDING PCB BENDING

- (a) PCB shall be designed so that products are not subjected to the mechanical stress for board warpage. Product shall be located in the sideways direction to the mechanical stress.



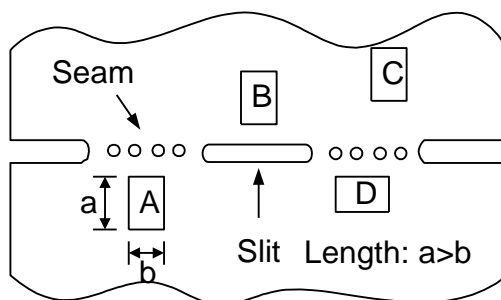
(Poor example)

Length: $a > b$

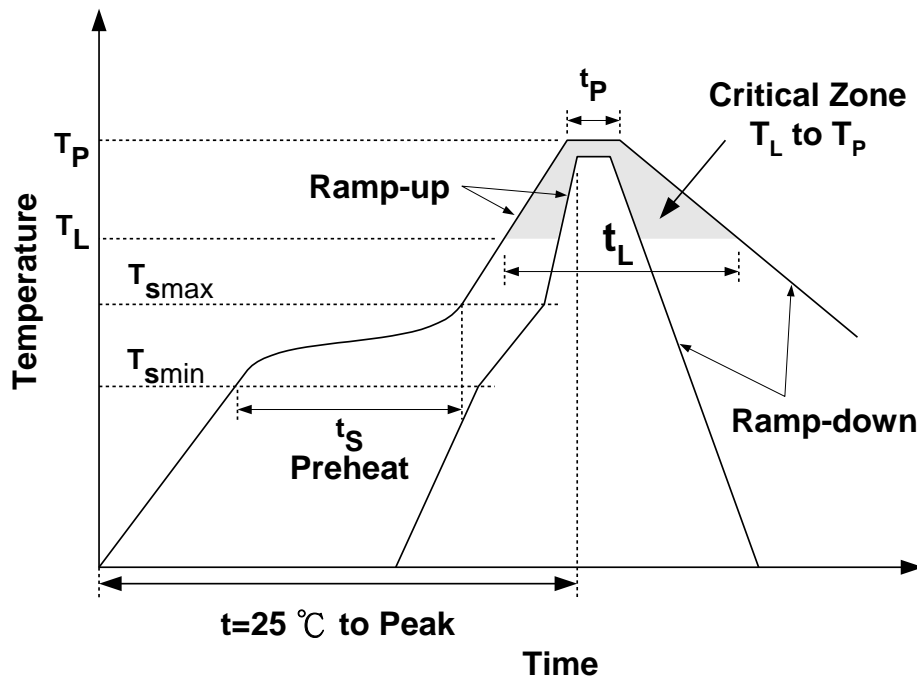


(Good example)

- (b) Products (A,B,C,D) shall be located carefully so that products are not subjected to the mechanical stress due to warping the board. Because they may be subjected to the mechanical stress in order of $A > C > B \approx D$.



RECOMMENDED REFLOW SOLDERING PROFILE



Profile Feature		Sn-Pb	Pb-Free
Preheat	t_s	60~120 seconds	60~180 seconds
	T_{smin}	100°C	150°C
	T_{smax}	150°C	200°C
Average ramp-up rate (T_{smax} to T_P)		3°C/second max.	3°C/second max.
Time main above	Temperature (T_L)	183°C	217°C
	Time (t_L)	60~150 seconds	60~150 seconds
Peak temperature (T_P)		230°C	250~260°C
Time within 5°C of actual peak temperature (t_p)		10 seconds	10 seconds
Ramp-down rate		6°C/sec max.	6°C/sec max.
Time 25°C to peak temperature		6 minutes max.	8 minutes max.

NOTES

The contents of this data sheet are subject to change without notice. Please confirm the specifications and delivery conditions when placing your order.

