

# APPROVAL SHEET

## (RoHS Compliant & Halogen Free)

**CUSTOMER** : \_\_\_\_\_

**CUSTOMER'S PART NO.** : \_\_\_\_\_

**DESCRIPTION** : **Multi-layer Band Pass Filter**

**PART NO.** : **LTB-1411-2G4H6-A3**

**DATE** : \_\_\_\_\_

**AUTHORIZED BY** : *Derek Wei*

	<b>FULLY APPROVED</b>	<b>PARTIALLY APPROVED</b>	<b>REJECTED</b>
<b>SIGN</b>			
<b>SUGGESTION</b>			

美磊科技股份有限公司

**MAG. LAYERS SCIENTIFIC-TECHNICS CO., LTD**

**HEAD OFFICE / PINGZHEN PLANT**

**270, Nan-Feng Road, Pingzhen District, Taoyuan City, Taiwan**

**TEL: 886-3-4159111 FAX: 886-3-4192255**

**<http://www.maglayers.com.tw>**

**[E-mail : info@maglayers.com.tw](mailto:info@maglayers.com.tw)**



## Revision History

Version	Date	Description	Approved by	Prepared by
1	2018/11/26	Initial specification.	CF	Vincent
2	2020/05/15	Add Lend Pattern	CF	YH

## APPLICATION

Wireless LAN, Home RF, WiMAX Modules, etc.

## FEATURES

- **Compact Size**  
Miniaturized SMD packaged in low profile and lightweight.
- **Low Loss**  
Low insertion loss, high attenuation.
- **High Soldering Heat Resistance**  
High quality termination allows both flow and re-flow soldering methods to be applied.
- **Characteristics**  
Eliminate noise over a wide frequency range. Idea for high frequency and space limited designs
- **Available in tape and reel packaging for automatic mounting**

## PRODUCT IDENTIFICATION

L T B - 1 4 1 1 - ### X X - A 3 - □ □  
①                      ②                      ③                      ④                      ⑤

- ① Product Code
- ② Dimension Code
- ③ Series Type (### represents center frequency and xx represents material type)
- ④ Design Code
- ⑤ Pattern Code

## ELECTRICAL REQUIREMENTS

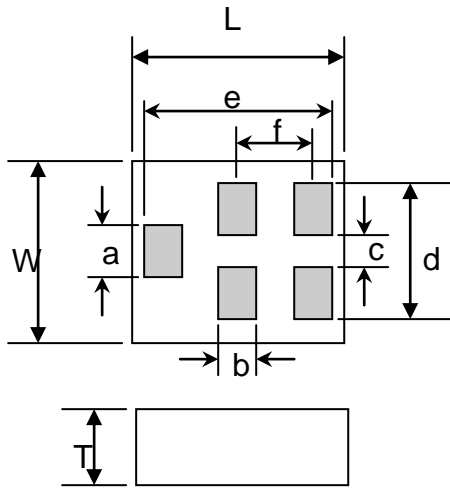
Item	Frequency Range(MHz)	Min.	Typ.	Max.
Insertion Loss (dB)	2400-2500	—	—	1.1
Return Loss (dB)	2400-2500	14	—	—
Attenuation (dB)	50-960	20	—	—
	1710-1990	10	—	—
	3600	15	—	—
	4800-7200	25	—	—

Operating Temperature Range: -40~85°C

Power Capacity: 3W max.



## PRODUCT DIMENSION

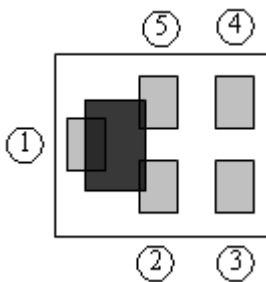


L	W	T	a	b
1.40±0.10	1.20±0.10	0.50±0.05	0.325±0.05	0.25±0.05
c	d	e	f	
0.25±0.05	0.90±0.10	1.25±0.10	0.50±0.05	

NOTE : Dimensions in mm

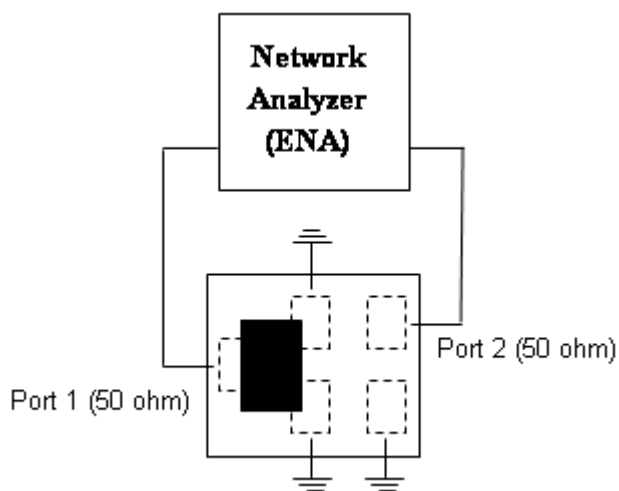
## TERMINAL CONFIGURATION

Top View



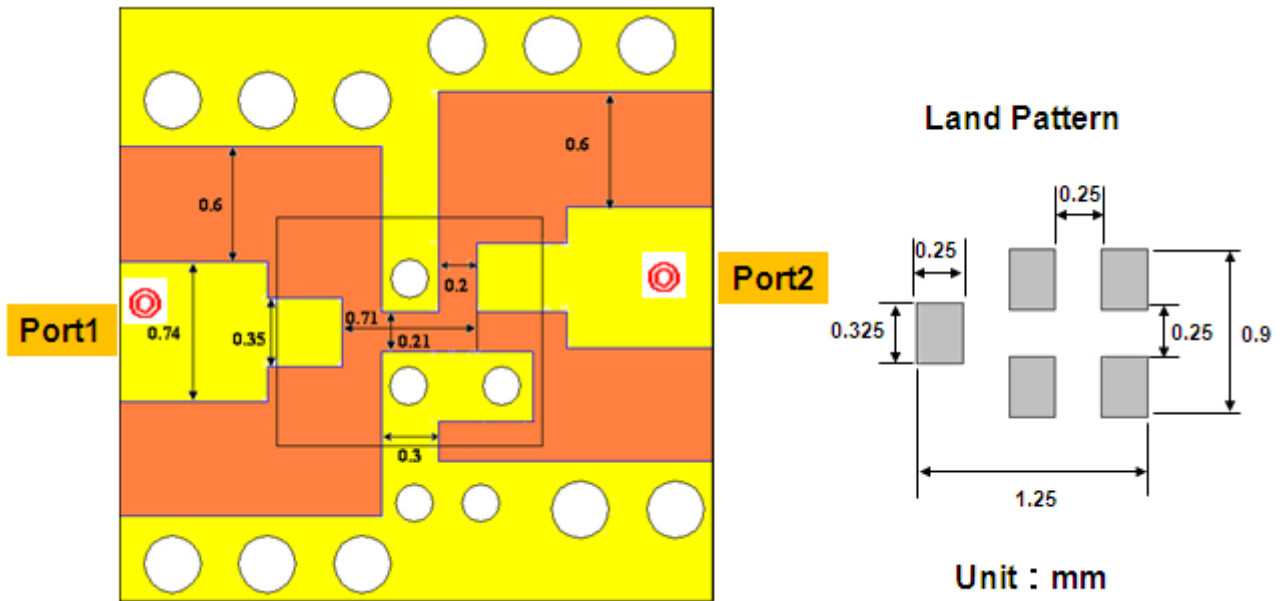
- ① IN
- ② GND
- ③ GND
- ④ OUT
- ⑤ GND

## MEASURING DIAGRAM



Test Instrument:  
Agilent E5071A Network Analyzer

## RECOMMENDED PCB LAYOUT



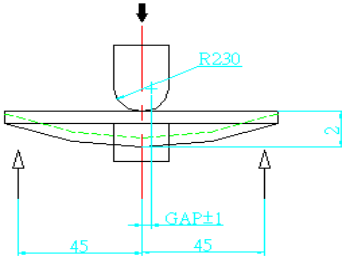
- ⊙ Line width should be designed to match 50Ω characteristic impedance, depending on PCB material and thickness.

## ELECTRICAL CHARACTERISTICS ( T=25°C)



# RELIABILITY TEST

## Mechanical Test

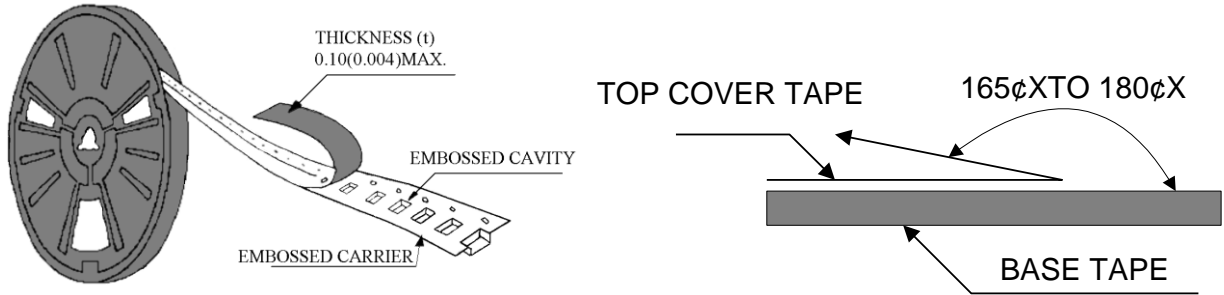
Item	Test Condition	Specification
<b>Vibration</b>	10 Hz/min~55 Hz/min~10 Hz/min vibration frequency with 1.5 mm amplitude for two hours in x, y, z directions	No apparent damage
<b>Drop shock</b>	Dropped onto printed circuit board from 100cm height three times in x, y, z directions. The terminals shall be protected.	No apparent damage
<b>Soldering heat resistance</b>	Preheating temperature : $150\pm 10^{\circ}\text{C}$ Preheating time : 1 to 2 minutes Solder bath temperature : $260\pm 5^{\circ}\text{C}$ Bathing time : $5\pm 0.5$ seconds	No apparent damage
<b>Bending test onto printed circuit board</b>	Solder specimen LTCC components on the test printed circuit board (L: 100 x W: 40 x T: 1.6mm) in appended recommended PCB pattern. Apply the load in direction of the arrow until bending reaches 2 mm.  Unit: mm	No apparent damage
<b>Solderability</b>	The dipped surface of the terminal shall be at least 75% covered with solder after dipped in solder bath of $245\pm 5^{\circ}\text{C}$ for $3\pm 0.5$ seconds.	No apparent damage

## Environment Test

<b>Thermal shock</b>	$-40^{\circ}\text{C}$ ~ $+85^{\circ}\text{C}$ for 100 cycles each cycle being 30 min	No apparent damage Fulfill the electrical spec. after test
<b>Humidity resistance</b>	$85\pm 2^{\circ}\text{C}$ , 80~90% R.H. for 500 hours	No apparent damage Fulfill the electrical spec. after test
<b>High temperature resistance</b>	$85\pm 2^{\circ}\text{C}$ for 500 hours	No apparent damage Fulfill the electrical spec. after test
<b>Low temperature resistance</b>	$-40\pm 3^{\circ}\text{C}$ for 500 hours	No apparent damage Fulfill the electrical spec. after test

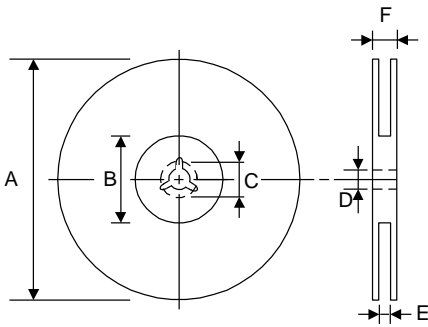
# PACKAGING FOR SMC

## Peel-off force



The force for peeling off cover tape is 10 grams in the arrow direction.

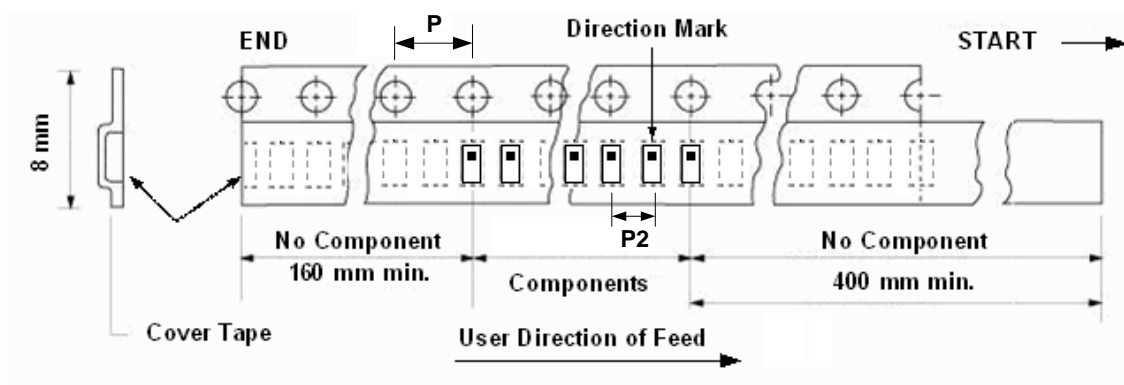
## Dimension (Unit: mm)



TYPE	A	B	C	D	E	F
8 mm	178±1	60+0.5 -0	-	13±0.2	9±0.5	12±0.5
12 mm	178±0.3	60±0.2	19.3±0.1	13.5±0.1	13.6±0.1	-

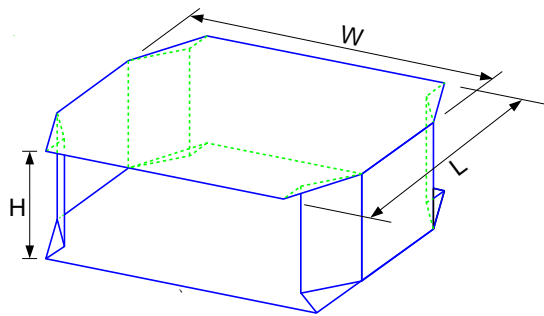
## Taping quantity

SERIES	5824 5724	5320 5220	4532	4516	3225	3216 2520	2012 1608	1005 1411
PCS/Reel	5000	3000	1000	2000	2500	3000	4000	10000



P= 4 mm; P2= 2 mm

## TAPE PACKING CASE



Unit:cm

No. of Reels	W	L	H
2	18±0.5	18±0.5	2.4±0.2
3	18±0.5	18±0.5	3.6±0.2
4	18±0.5	18±0.5	4.8±0.2
5	18±0.5	18±0.5	6.0±0.2

## OPERATION TEMPERATURE

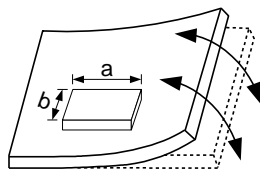
-40°C ~ +85°C

## STORAGE CONDITION

The temperature should be within -20 ~ 35°C and humidity should be less than 75% RH. The product should be used within 6 months from the time of delivery.

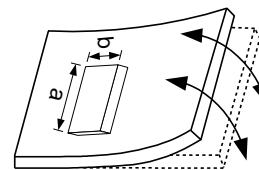
## ATTENTION REGARDING PCB BENDING

- (a) PCB shall be designed so that products are not subjected to the mechanical stress for board warpage. Product shall be located in the sideway direction to the mechanical stress.



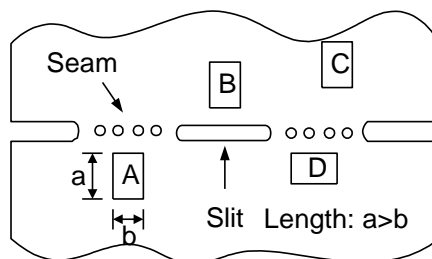
(Poor example)

Length:  $a > b$



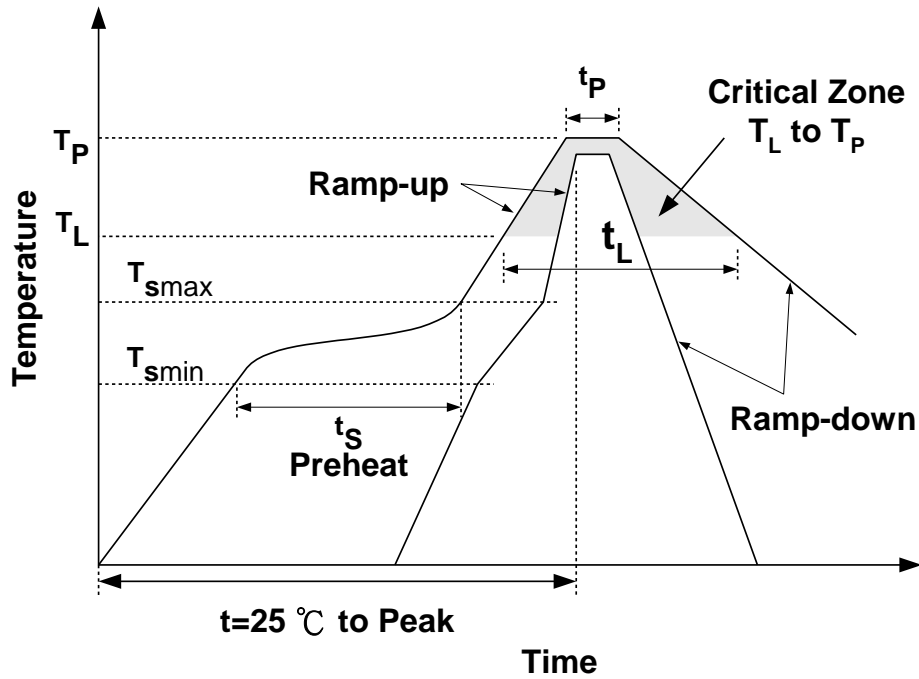
(Good example)

- (b) Products (A,B,C,D) shall be located carefully so that products are not subjected to the mechanical stress due to warping the board. Because they may be subjected to the mechanical stress in order of  $A > C > B \approx D$ .





## RECOMMENDED REFLOW SOLDERING PROFILE



Profile Feature		Sn-Pb	Pb-Free
Preheat	$t_s$	60~120 seconds	60~180 seconds
	$T_{smin}$	100°C	150°C
	$T_{smax}$	150°C	200°C
Average ramp-up rate ( $T_{smax}$ to $T_P$ )		3°C/second max.	3°C/second max.
Time main above	Temperature ( $T_L$ )	183°C	217°C
	Time ( $t_L$ )	60~150 seconds	60~150 seconds
Peak temperature ( $T_P$ )		230°C	250~260°C
Time within 5°C of actual peak temperature ( $t_p$ )		10 seconds	10 seconds
Ramp-down rate		6°C/sec max.	6°C/sec max.
Time 25°C to peak temperature		6 minutes max.	8 minutes max.

## NOTES

The contents of this data sheet are subject to change without notice. Please confirm the specifications and delivery conditions when placing your order.