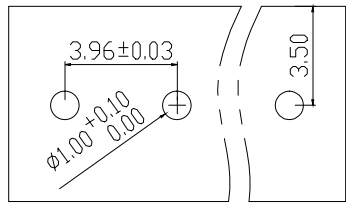
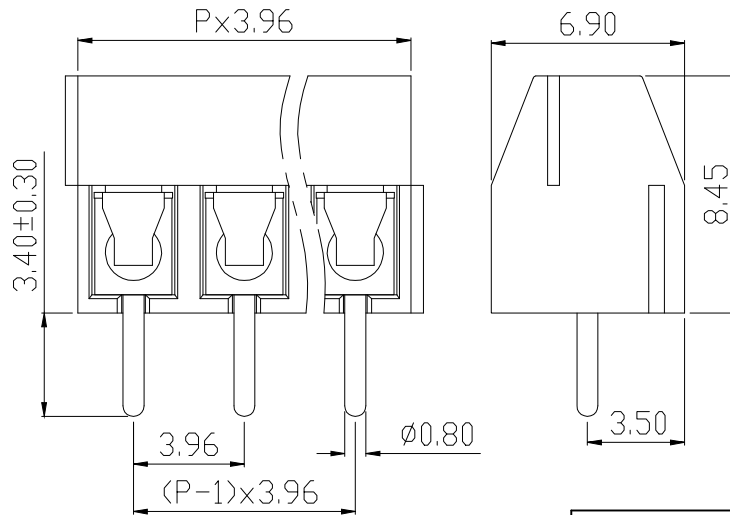
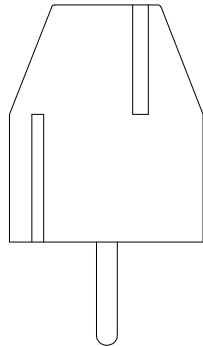
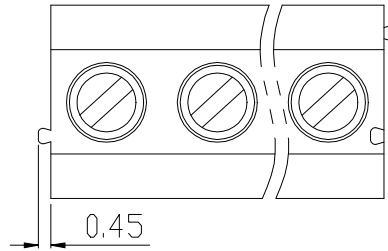


linear dimension(Tolerances Standard GB/T 14486-2008)								—	\square	\perp
variable range	to 6	over 6 to 10	over 10 to 30	over 30 to 60	over 60 to 100	over 100 to 160	over 160 to	to 10	over 10 to 100	over 100 to
tolerance	±0.20	±0.30	±0.50	±0.70	±1.00	±1.30	±1.60	0.10	0.30	0.60



PCB Layout



UL/CUL 技术参数			
UL/CUL Technical Data			
等级	Use Group	B	C D
额定电压	Rated Voltage [V]	300	- 300
额定电流	Rated Current [A]	7	- 10
接线范围	Wire Range	24-18	
单/多芯线	Solid/Stranded [AWG]		
耐电压	Withstanding Voltage	1600V/1Min	
IEC 技术参数			
IEC Technical Data			
过电压类别	Overvoltage Category	III	III II
污染等级	Contamination Class	3	2 2
额定电压	Rated Voltage [V]	160	250 320
额定电流	Rated Current [A]	10	10 10
额定冲击电压	Impulse withstand voltage [KV]	2.5	2.5 4.0
导线截面积	Conductor cross section	0.75	
硬质/柔性导线	Solid/flexible [mm ²]		
材料			
绝缘材料	Insulation Material	PA66	
阻燃等级	Imflamability	UL94V-0	
导体材料	Contact Material	铜合金 Copper alloy	
导体表面镀层	Contactive Coating	镀锡 Sn Plated	
一般参数			
间距	Pitch [mm]	3.96	
极数	Poles [P]	02-24	
剥线长度	Stripping Length [mm]	5.0	
螺丝	Screw/扭矩 Torque(Max) [N.m]	M2.0/0.2	
工作温度	Operating temperatur [°C]	-40~+105	
引针尺寸	Pin Dimensions [mm]	3.4	
PCB板孔径	PCB Hole Diameter [mm]	1.00	

DB301V — 3.96 — XXP — C — S/P
 (Series No.) (Pitch) (Poles) Slotted/Phillips
 (Color) : 1.(Green) 2.(Black) 3.(Blue) 4.(Clear) 5.(Gray)
 6.(Orange) 7.(Red) 8.(White) 9.(Yellow)

APPD: JTING Chen 2022.4.17

CHKD: Duck Mao 2022.4.17

DRFT: Steven Lu 2022.4.17

DORABO

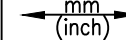
宁波地博电气有限公司
Ningbo Dorabo Electric CO., Ltd

NAME:

DB301V-3.96-XXP-C-S



SIZE: A4



REV

TO-1

TYPE: CUSTOMER_DRAWING

SCALE: 1:1

SHEET

1/1