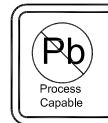


PIN 位图示

RECOMMENDED P.C.B. LAYOUT  
TOLERANCE UNSPECIFIED ±0.05mm



NOTES:

特性: Specifications

电器 Electrical:

接触阻抗: 初始最大不超过40mΩMax,测试后变化值不超过10mΩMax

耐电压: AC200V 60S/MIN,0.5mA

Max:DC500V,60S/MIN,100ΩMax

绝缘阻抗: 100M ohms MIN

电镀规格:

端子: 半金锡, 接触点镀金1u, 焊线处镀锡40-80u.

外壳: 镀镍盐雾24H (备注: 可依客户要求电镀外壳)

卡钩: 前镍后锡

环保要求: ROHS,REACH标准.

包装方式: 依客户需求 (建议使用REEL包装)

A1	A2	A3	A4	A5	A6	A7	A8	A9	A10	A11	A12
GND	TX1+	TX1-		CC1	D+	D-		VBUS			
	RX1+	RX1-									
B12	B11	B10	B9	B8	B7	B6	B5	B5	B3	B2	B10
Main body	LCP black high temperature resistant plastic					Shell		stainless steel 201.			
Sheath	LCP black high temperature resistant plastic					Hook		Stainless steel 301.			
Terminal	C5191 t = 0.15mm					EMI		stainless steel 301			
Name	Texture of material					Name		Texture of material			



G-Switch Electronic (HongKong) CO.,Ltd.

Unless otherwise specified, Tolerance:  
X. ±0.30  
X.x ±0.20  
X.xx ±0.15  
X.xxx ±0.10  
Angles ±3°

DESIGN Li Qingqi DATE 2022.04.09

CHECKED DATE

APPROVED DATE

http://www.dg-switch.com

TEL:0769-82388879

Molde code:

GT-USB-8016A

REV.: X1 SCALE: 12:1 UNIT: mm

SIZE: A4 SHEET: 1/1

A

B

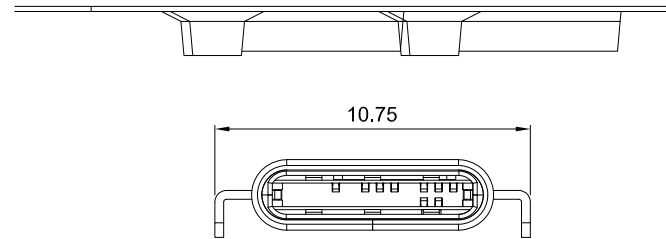
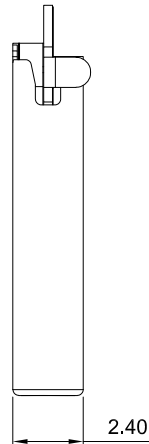
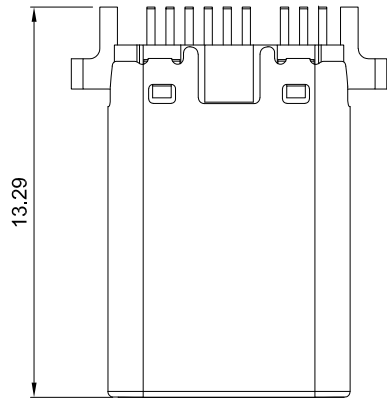
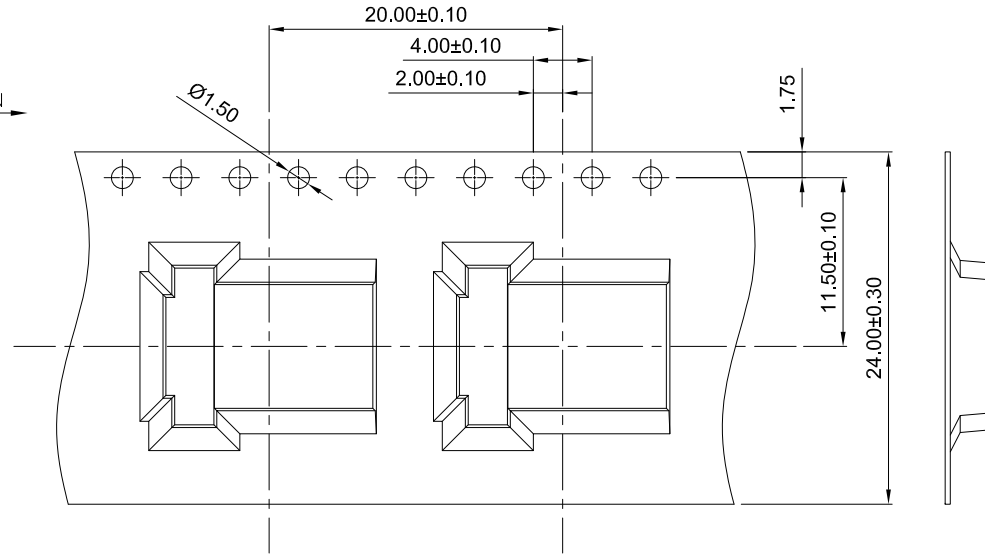
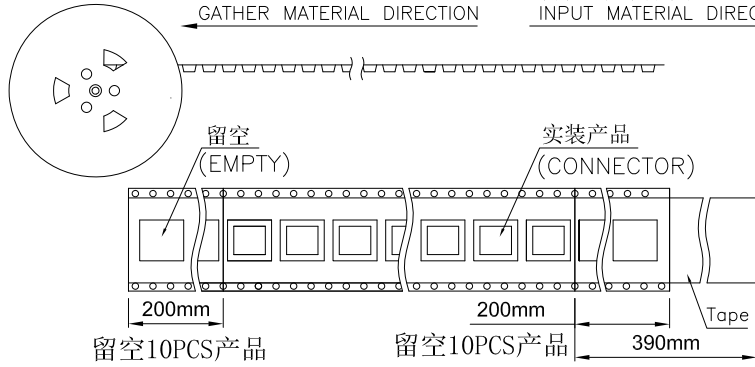
C

D

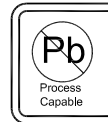
E

收料方向 客户放料方向

GATHER MATERIAL DIRECTION INPUT MATERIAL DIRECTION



NOTE: ALL DIMENSIONS TORLERANCE ARE:  
 1. ±0.25mm UNLESS OTHERWISE NOTED.  
 2. COMPONENT LOAD BY 13" REEL



**G-Switch Electronic (HongKong) CO.,Ltd.**

Unless otherwise specified, Tolerance:  
 X. ±0.30  
 X.x ±0.20  
 X.xx ±0.15  
 X.xxx ±0.10  
 Angles ±3°

DESIGN Li Qingqi DATE 2022.04.09  
 CHECKED DATE  
 APPROVED DATE  
<http://www.dg-switch.com>  
 TEL:0769-82388879

Molde code:  
**GT-USB-8016A**  
 REV.: X1 SCALE: 12:1 UNIT: mm  
 SIZE: A4 SHEET: 1/1

A

B

C

D

E