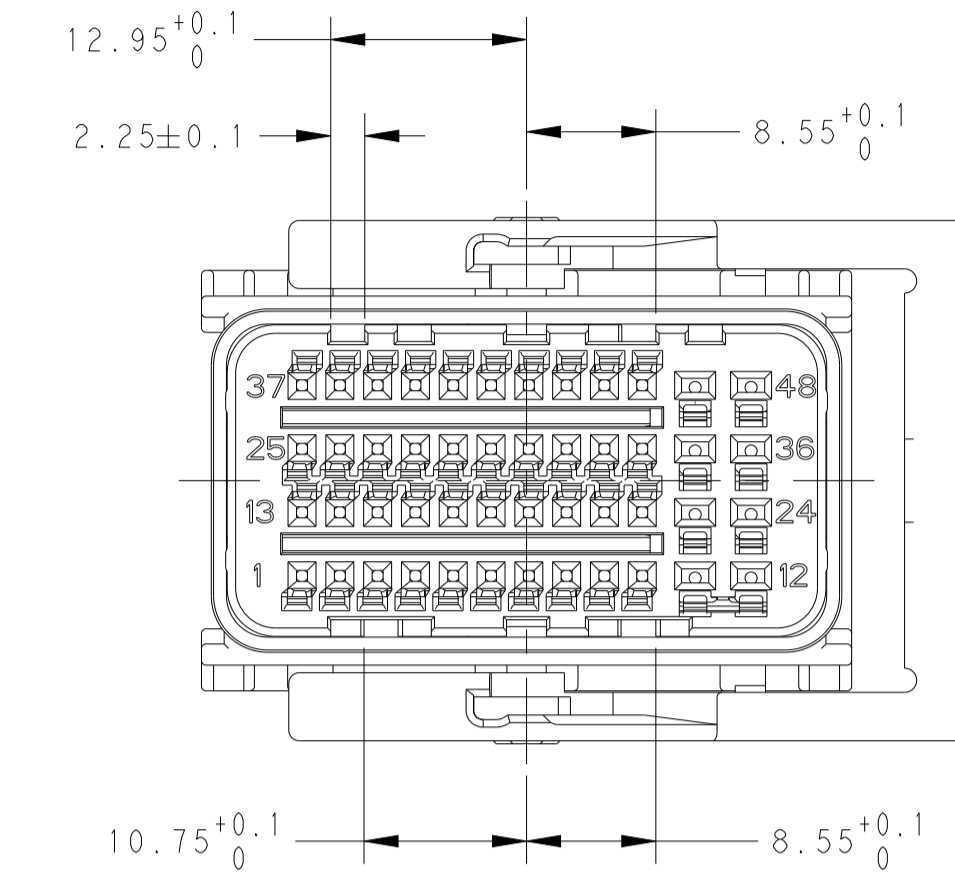


LOC		DIST		REVISIONS				
P	LYR	DESCRIPTION			DATE	OWN	APVD	
-	-	SEE SHEET 1			-	-	-	

CODING 2

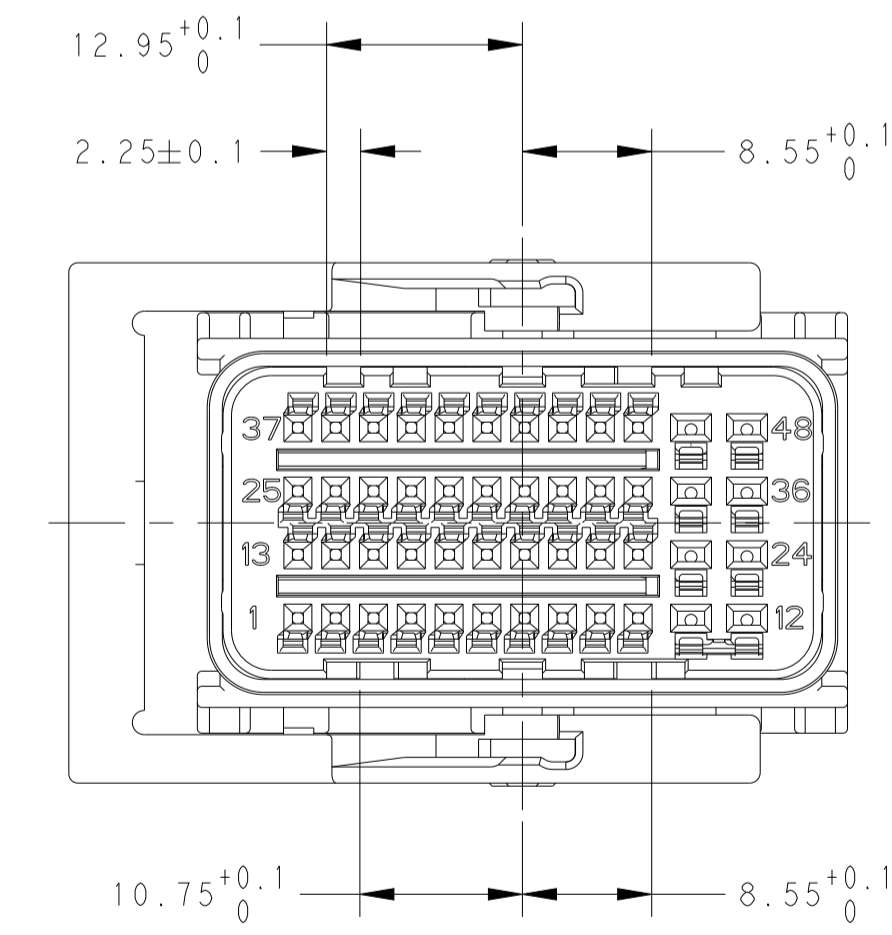
CAVITY NO.		PINOUT CONFIGURATION																																																				
2137490-1	2137290-1	X	X	X	X	X	X	X	X	X	X	X	X	X	X	X	X	X	X	X	X	X	X	X	X	X	X	X	X	X	X	X	X	X	X	X	X	X	X	X	X	X	X	X	X	X	X	X	X	X	X	X	X	X
PACKING PN	TE PN (48P MIXED HOUSING)	1	2	3	4	5	6	7	8	9	10	11	12	13	14	15	16	17	18	19	20	21	22	23	24	25	26	27	28	29	30	31	32	33	34	35	36	37	38	39	40	41	42	43	44	45	46	47	48					
BLANKED CAVITIES INDICATE CLOSED LOCATIONS																																																						
WITH "X" MARKED CAVITIES INDICATE OPEN LOCATIONS																																																						



CODING 2
 GREY
 LEVER RIGHT
 CABLE EXIT LEFT
 PN 2137290

CODING 2

CAVITY NO.		PINOUT CONFIGURATION																																																						
2137491-1	2137291-1	X	X	X	X	X	X	X	X	X	X	X	X	X	X	X	X	X	X	X	X	X	X	X	X	X	X	X	X	X	X	X	X	X	X	X	X	X	X	X	X	X	X	X	X	X	X	X	X	X	X	X	X	X	X	X
PACKING PN	TE PN (48P MIXED HOUSING)	1	2	3	4	5	6	7	8	9	10	11	12	13	14	15	16	17	18	19	20	21	22	23	24	25	26	27	28	29	30	31	32	33	34	35	36	37	38	39	40	41	42	43	44	45	46	47	48							
BLANKED CAVITIES INDICATE CLOSED LOCATIONS																																																								
WITH "X" MARKED CAVITIES INDICATE OPEN LOCATIONS																																																								



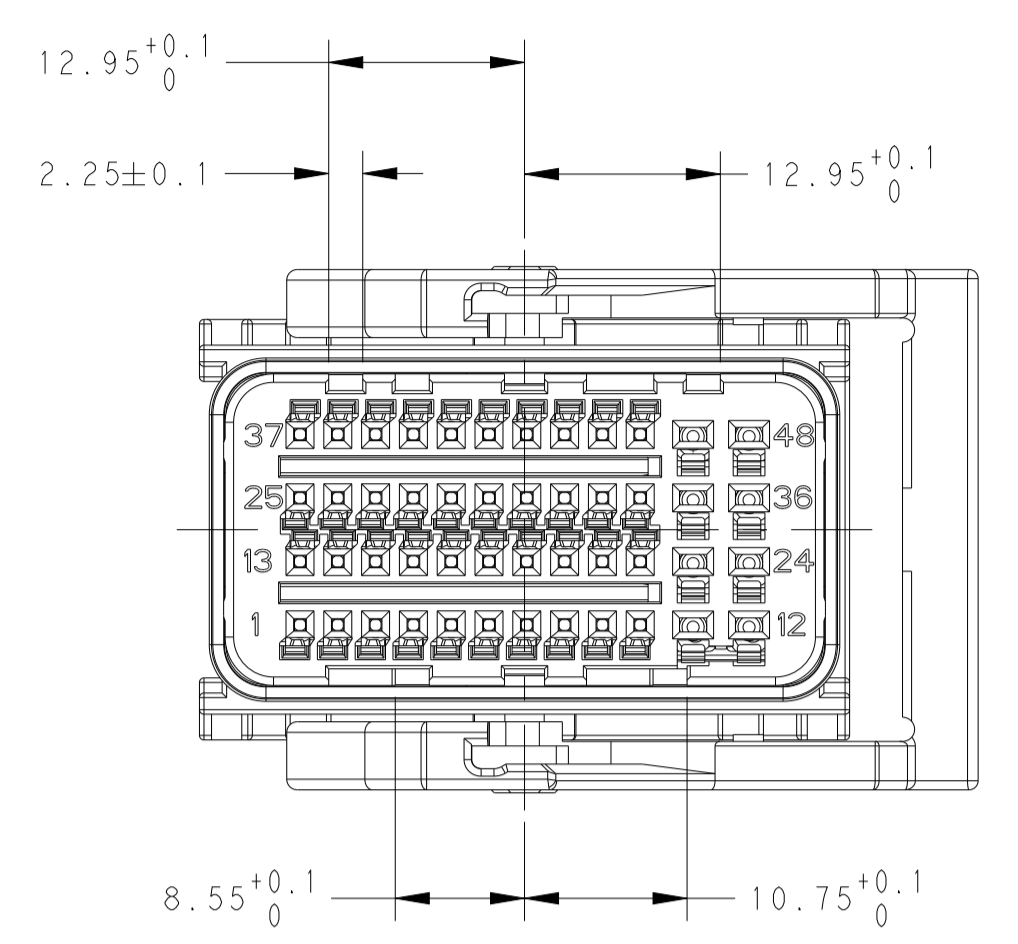
CODING 2
 GREY
 LEVER LEFT
 CABLE EXIT RIGHT
 PN 2137291

THIS DRAWING IS A CONTROLLED DOCUMENT.		DWN B.PU	26AUG2010	TE Connectivity	
DIMENSIONS:		CHK Y. YANG	26AUG2010	NAME	
mm		APVD K. ODA	02NOV2010	48POS. MIXED RECEPTACLE HOUSING	
DIMENSIONS: 0-PLC ±. 1-PLC ±0.3 2-PLC ±0.3 3-PLC ±0.3 4-PLC ±0.3 ANGLES FINISH		TOLERANCES UNLESS OTHERWISE SPECIFIED:		40xMQS AND 8x1.5 - -	
MATERIAL		PRODUCT SPEC	APPLICATION SPEC	RESTRICTED TO	
		SEE SHEET 1	WEIGHT	SIZE	
		CUSTOMER DRAWING		A100779	
				C=2050981	
				SCALE	
				1:1	
				SHEET	
				2 OF 6	
				REV	
				D4	

LOC	DIST	REVISIONS				
		P LTR	DESCRIPTION	DATE	OWN	APVD
ES	00	-	SEE SHEET 1	-	-	-

CODING 3

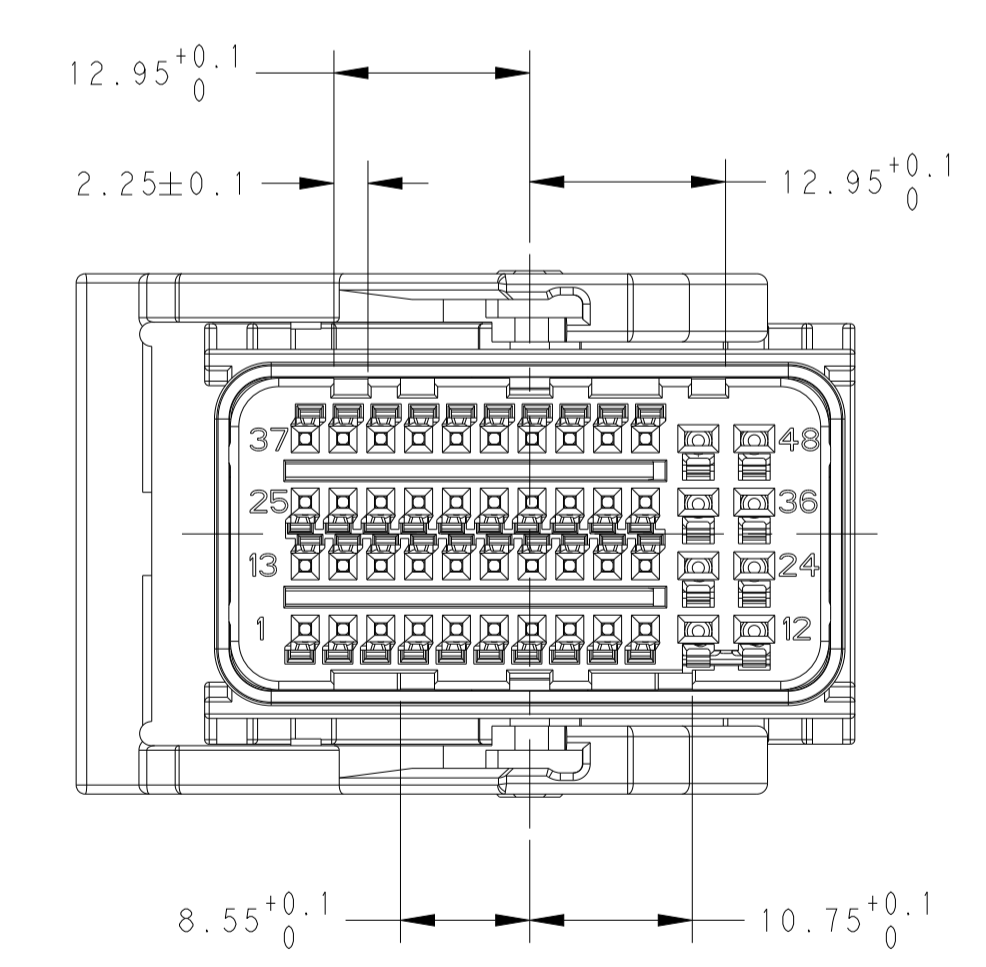
CAVITY NO.		PINOUT CONFIGURATION																																																				
PACKING PN	TE PN (48P MIXED HOUSING)	1	2	3	4	5	6	7	8	9	10	11	12	13	14	15	16	17	18	19	20	21	22	23	24	25	26	27	28	29	30	31	32	33	34	35	36	37	38	39	40	41	42	43	44	45	46	47	48					
2137492-1	2137292-1	X	X	X	X	X	X	X	X	X	X	X	X	X	X	X	X	X	X	X	X	X	X	X	X	X	X	X	X	X	X	X	X	X	X	X	X	X	X	X	X	X	X	X	X	X	X	X	X	X	X	X	X	X
BLANKED CAVITIES INDICATE CLOSED LOCATIONS WITH "X" MARKED CAVITIES INDICATE OPEN LOCATIONS																																																						




**CODING 3
 BROWN
 LEVER RIGHT
 CABLE EXIT LEFT
 PN 2137292**

CODING 3

CAVITY NO.		PINOUT CONFIGURATION																																																		
PACKING PN	TE PN (48P MIXED HOUSING)	1	2	3	4	5	6	7	8	9	10	11	12	13	14	15	16	17	18	19	20	21	22	23	24	25	26	27	28	29	30	31	32	33	34	35	36	37	38	39	40	41	42	43	44	45	46	47	48			
2137493-1	2137293-1	X	X	X	X	X	X	X	X	X	X	X	X	X	X	X	X	X	X	X	X	X	X	X	X	X	X	X	X	X	X	X	X	X	X	X	X	X	X	X	X	X	X	X	X	X	X	X	X	X	X	X
BLANKED CAVITIES INDICATE CLOSED LOCATIONS WITH "X" MARKED CAVITIES INDICATE OPEN LOCATIONS																																																				



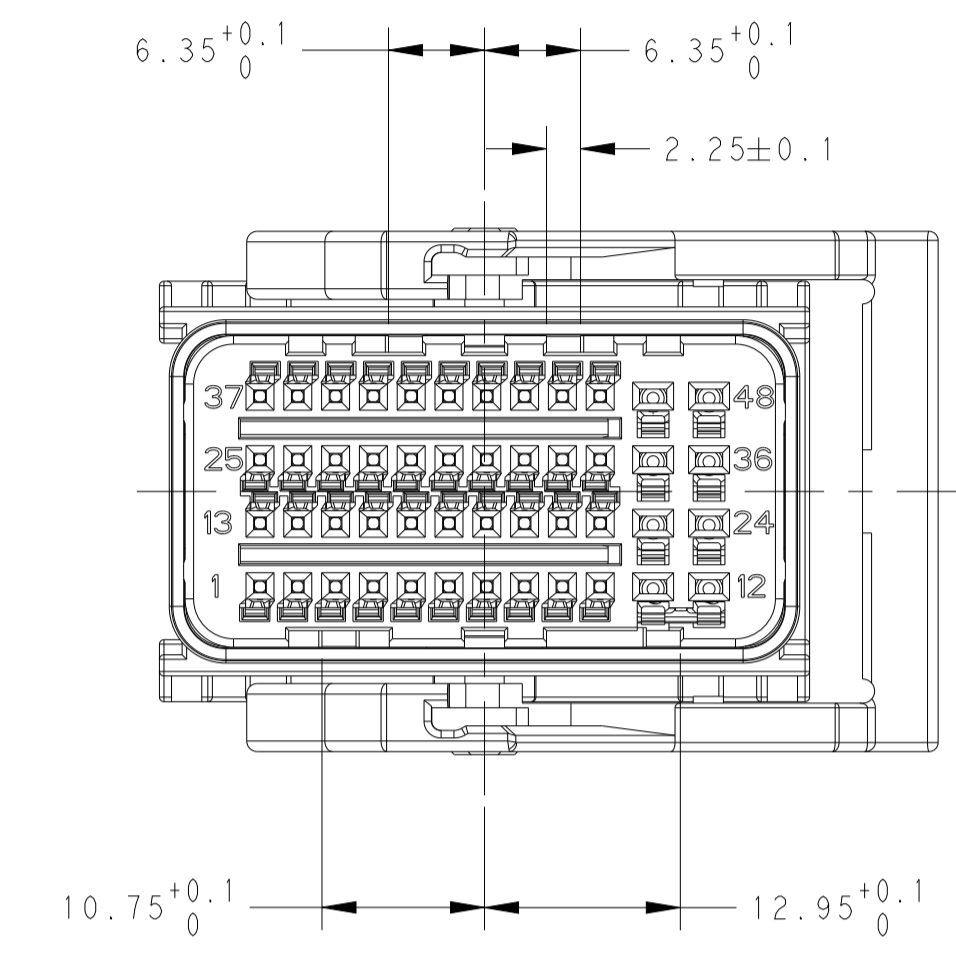
**CODING 3
 BROWN
 LEVER LEFT
 CABLE EXIT RIGHT
 PN 2137293**

THIS DRAWING IS A CONTROLLED DOCUMENT.		DWN B. PU 26AUG2010		 TE Connectivity
DIMENSIONS: mm		CHK Y. YANG 26AUG2010		
<ul style="list-style-type: none"> 0-PLC ±0.3 1-PLC ±0.3 2-PLC ±0.3 3-PLC ±0.3 4-PLC ±0.3 ANGLES ±0.3°		TOLERANCES UNLESS OTHERWISE SPECIFIED: PRODUCT SPEC APPLICATION SPEC SEE SHEET 1		
MATERIAL		APVD K. ODA 02NOV2010 WEIGHT CUSTOMER DRAWING		NAME 48POS. MIXED RECEPTACLE HOUSING 40xMQS AND 8x1.5 SIZE A1 CAGE CODE C=2050981 SCALE 1:1 SHEET 3 OF 6 REV D4

LOC	DIST	REVISIONS			
ES	00	REV	DATE	BY	APPV
-	-	SEE SHEET 1	-	-	-

CODING 4

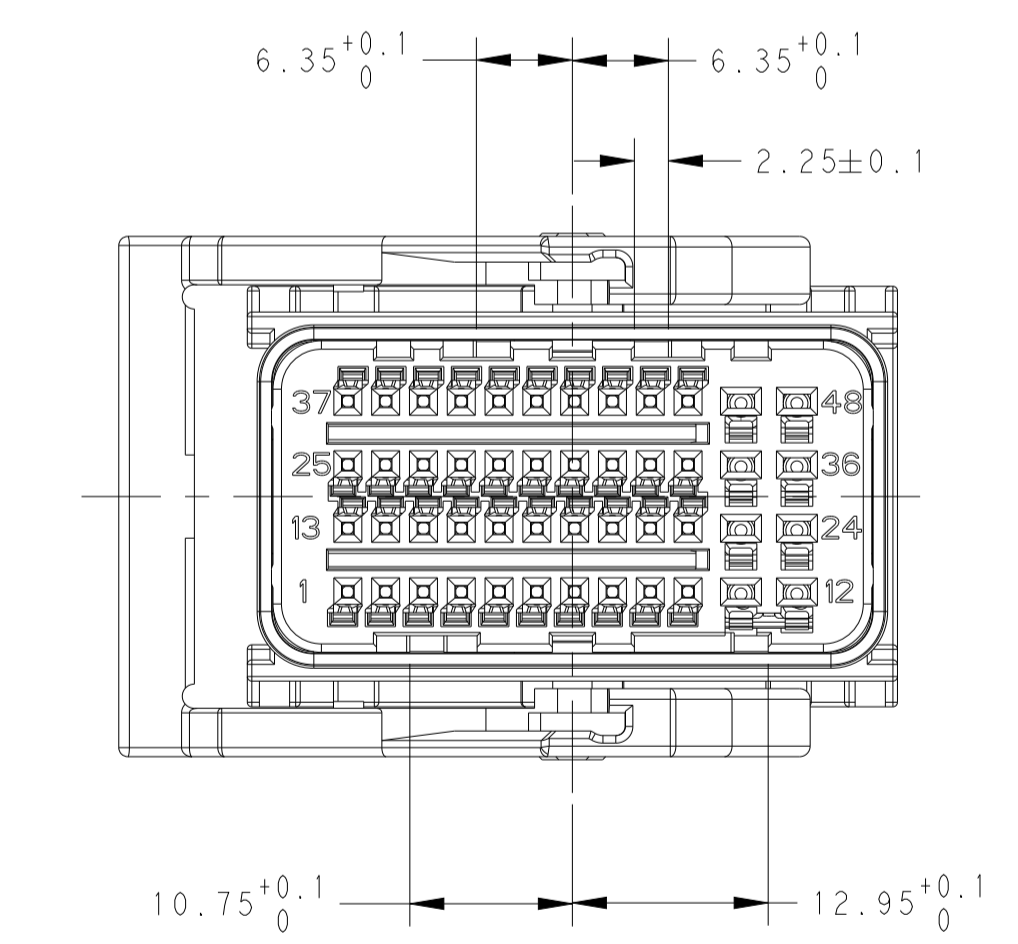
CAVITY NO.		PINOUT CONFIGURATION																																																			
1	2	3	4	5	6	7	8	9	10	11	12	13	14	15	16	17	18	19	20	21	22	23	24	25	26	27	28	29	30	31	32	33	34	35	36	37	38	39	40	41	42	43	44	45	46	47	48						
2137904-3	2137898-3	X	X	X	X	X	X	X	X	X	X					X	X	X	X	X	X	X	X					X	X	X	X	X	X	X	X	X	X	X	X	X	X	X	X	X	X	X	X	X	X	X	X		
2137904-2	2137898-2	X	X	X	X					X	X	X	X	X	X	X	X	X	X	X	X	X	X					X	X	X	X	X	X	X	X	X	X	X	X	X	X	X	X	X	X	X	X	X	X	X	X	X	X
2137904-1	2137898-1	X	X	X	X	X	X	X	X	X	X	X	X	X	X	X	X	X	X	X	X	X	X	X	X	X	X	X	X	X	X	X	X	X	X	X	X	X	X	X	X	X	X	X	X	X	X	X	X	X	X	X	X
PACKING PN	TE PN (48P MIXED HOUSING)	1	2	3	4	5	6	7	8	9	10	11	12	13	14	15	16	17	18	19	20	21	22	23	24	25	26	27	28	29	30	31	32	33	34	35	36	37	38	39	40	41	42	43	44	45	46	47	48				
BLANKED CAVITIES INDICATE CLOSED LOCATIONS																																																					
WITH "X" MARKED CAVITIES INDICATE OPEN LOCATIONS																																																					



**CODING 4
 GREEN
 LEVER RIGHT
 CABLE EXIT LEFT
 PN 2137898**

CODING 4

CAVITY NO.		PINOUT CONFIGURATION																																																				
1	2	3	4	5	6	7	8	9	10	11	12	13	14	15	16	17	18	19	20	21	22	23	24	25	26	27	28	29	30	31	32	33	34	35	36	37	38	39	40	41	42	43	44	45	46	47	48							
2137905-2	2137899-2	X	X	X	X					X	X	X	X	X	X	X	X	X	X	X	X	X	X	X	X	X	X	X	X	X	X	X	X	X	X	X	X	X	X	X	X	X	X	X	X	X	X	X	X	X	X	X		
2137905-1	2137899-1	X	X	X	X	X	X	X	X	X	X	X	X	X	X	X	X	X	X	X	X	X	X	X	X	X	X	X	X	X	X	X	X	X	X	X	X	X	X	X	X	X	X	X	X	X	X	X	X	X	X	X	X	X
PACKING PN	TE PN (48P MIXED HOUSING)	1	2	3	4	5	6	7	8	9	10	11	12	13	14	15	16	17	18	19	20	21	22	23	24	25	26	27	28	29	30	31	32	33	34	35	36	37	38	39	40	41	42	43	44	45	46	47	48					
BLANKED CAVITIES INDICATE CLOSED LOCATIONS																																																						
WITH "X" MARKED CAVITIES INDICATE OPEN LOCATIONS																																																						



**CODING 4
 GREEN
 LEVER LEFT
 CABLE EXIT RIGHT
 PN 2137899**

THIS DRAWING IS A CONTROLLED DOCUMENT. DWN: B.PU 26AUG2010, CHK: Y. YANG 26AUG2010, APVD: K.ODA 02NOV2010

DIMENSIONS: mm. TOLERANCES UNLESS OTHERWISE SPECIFIED: 0-PLC ±.1, 1-PLC ±0.3, 2-PLC ±0.3, 3-PLC ±0.3, 4-PLC ±0.3, ANGLES ±0.3, FINISH.

MATERIAL: -

TE Connectivity logo and name.

NAME: 48POS. MIXED RECEPTACLE HOUSING 40xMQS AND 8x1.5

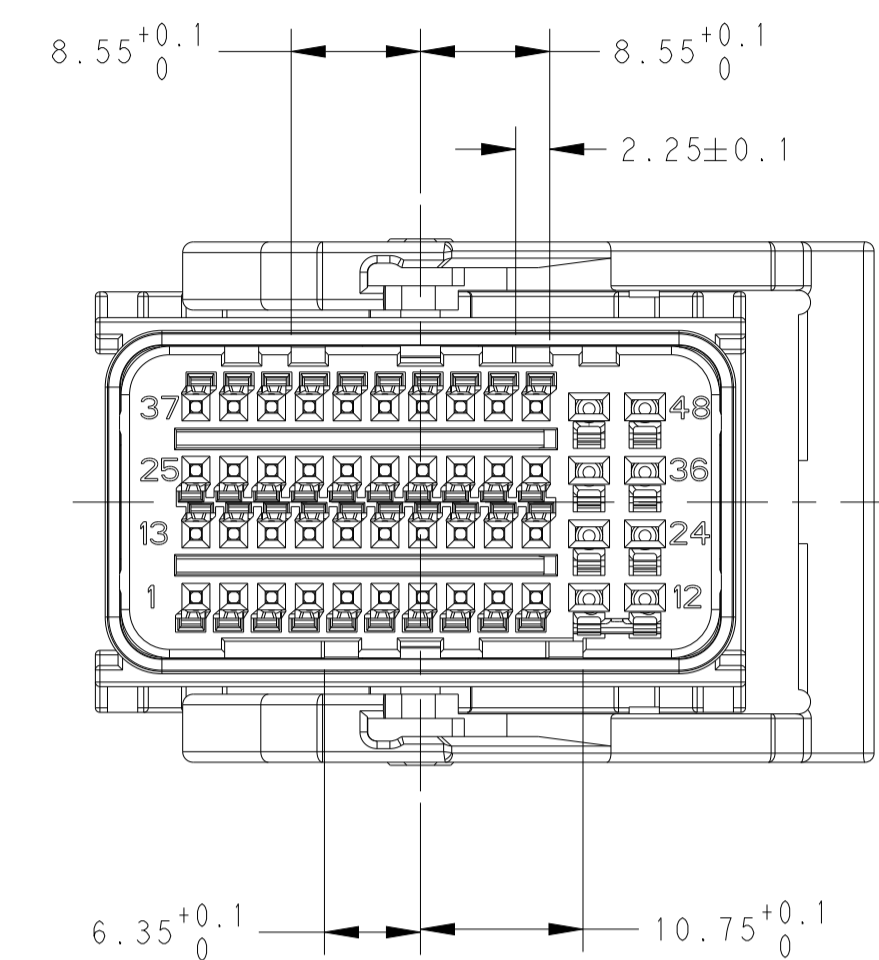
SIZE: A1, CAGE CODE: 00779, DRAWING NO: 2050981, RESTRICTED TO: -

CUSTOMER DRAWING, SCALE: 1:1, SHEET: 4 OF 6, REV: D4

LOC	DIST	P	LYR	DESCRIPTION	DATE	DWN	APVD
ES	00	-		SEE SHEET 1	-	-	-

CODING 5

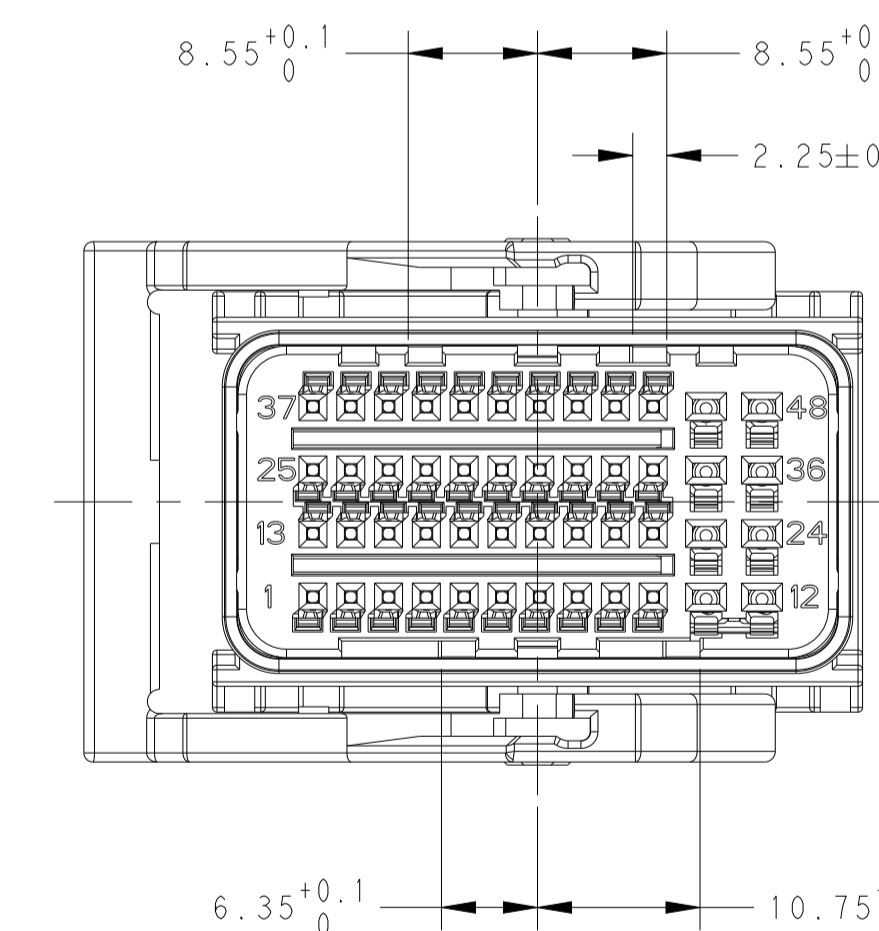
CAVITY NO.		1	2	3	4	5	6	7	8	9	10	11	12	13	14	15	16	17	18	19	20	21	22	23	24	25	26	27	28	29	30	31	32	33	34	35	36	37	38	39	40	41	42	43	44	45	46	47	48					
2137906-1	2137900-1	X	X	X	X	X	X	X	X	X	X	X	X	X	X	X	X	X	X	X	X	X	X	X	X	X	X	X	X	X	X	X	X	X	X	X	X	X	X	X	X	X	X	X	X	X	X	X	X	X	X	X	X	X
PACKING PN	TE PN (48P MIXED HOUSING)	1	2	3	4	5	6	7	8	9	10	11	12	13	14	15	16	17	18	19	20	21	22	23	24	25	26	27	28	29	30	31	32	33	34	35	36	37	38	39	40	41	42	43	44	45	46	47	48					
BLANKED CAVITIES INDICATE CLOSED LOCATIONS																																																						
WITH "X" MARKED CAVITIES INDICATE OPEN LOCATIONS																																																						




**CODING 5
BLUE
LEVER RIGHT
CABLE EXIT LEFT
PN 2137900**

CODING 5

CAVITY NO.		1	2	3	4	5	6	7	8	9	10	11	12	13	14	15	16	17	18	19	20	21	22	23	24	25	26	27	28	29	30	31	32	33	34	35	36	37	38	39	40	41	42	43	44	45	46	47	48						
2137907-1	2137901-1	X	X	X	X	X	X	X	X	X	X	X	X	X	X	X	X	X	X	X	X	X	X	X	X	X	X	X	X	X	X	X	X	X	X	X	X	X	X	X	X	X	X	X	X	X	X	X	X	X	X	X	X	X	X
PACKING PN	TE PN (48P MIXED HOUSING)	1	2	3	4	5	6	7	8	9	10	11	12	13	14	15	16	17	18	19	20	21	22	23	24	25	26	27	28	29	30	31	32	33	34	35	36	37	38	39	40	41	42	43	44	45	46	47	48						
BLANKED CAVITIES INDICATE CLOSED LOCATIONS																																																							
WITH "X" MARKED CAVITIES INDICATE OPEN LOCATIONS																																																							

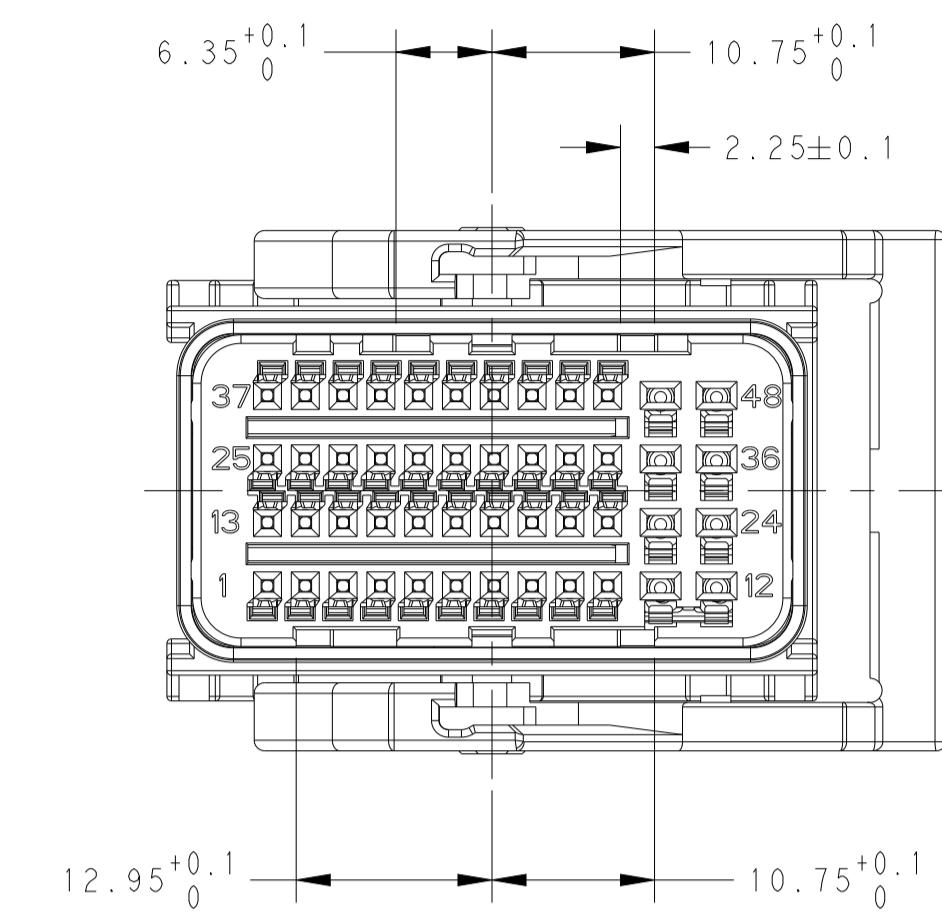


**CODING 5
BLUE
LEVER LEFT
CABLE EXIT RIGHT
PN 2137901**

THIS DRAWING IS A CONTROLLED DOCUMENT.				DWN: B_PU 26AUG2010	 TE Connectivity
				CHK: Y YANG 26AUG2010	
				APVD: K_QDA 02NOV2010	
				PRODUCT SPEC	
DIMENSIONS:		TOLERANCES UNLESS OTHERWISE SPECIFIED:		NAME: 48POS. MIXED RECEPTACLE HOUSING 40xMQS AND 8x1.5	RESTRICTED TO
mm		0-PLC ±.1 1-PLC ±0.3 2-PLC ±0.3 3-PLC ±0.3 4-PLC ±0.3		SIZE: A1	
MATERIAL:		FINISH:		CAGE CODE: 00779C	
DRAWING NO: SEE SHEET 1				DRAWING NO: C=2050981	SCALE: 1:1
CUSTOMER DRAWING				WEIGHT:	SHEET 5 OF 6

CODING 6

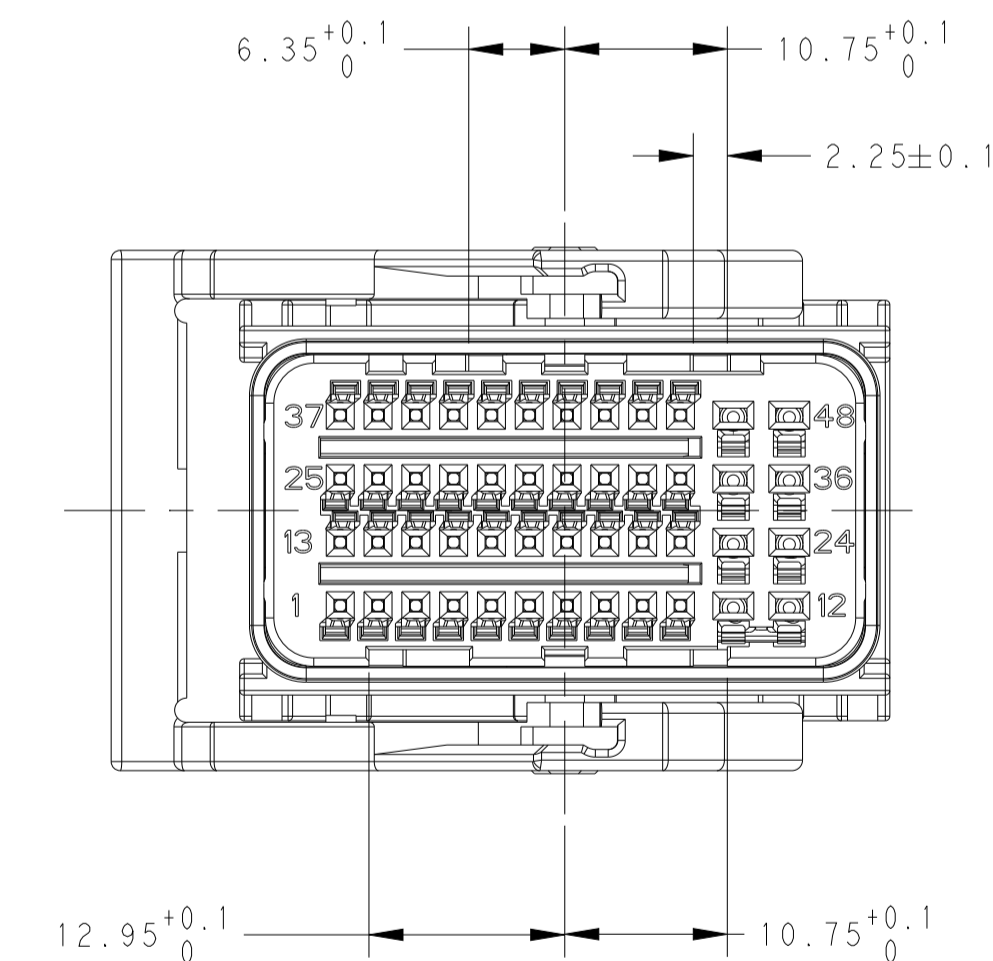
CAVITY NO.		PINOUT CONFIGURATION																																																
2137908-1	2137902-1	X	X	X	X	X	X	X	X	X	X	X	X	X	X	X	X	X	X	X	X	X	X	X	X	X	X	X	X	X	X	X	X	X	X	X	X	X	X	X	X	X	X	X	X	X	X	X	X	X
PACKING PN	TE PN (48P MIXED HOUSING)	1	2	3	4	5	6	7	8	9	10	11	12	13	14	15	16	17	18	19	20	21	22	23	24	25	26	27	28	29	30	31	32	33	34	35	36	37	38	39	40	41	42	43	44	45	46	47	48	
		BLANKED CAVITIES INDICATE CLOSED LOCATIONS																																																
		WITH "X" MARKED CAVITIES INDICATE OPEN LOCATIONS																																																



**CODING 6
YELLOW
LEVER RIGHT
CABLE EXIT LEFT
PN 2137902**

CODING 6

CAVITY NO.		PINOUT CONFIGURATION																																																
2137909-1	2137903-1	X	X	X	X	X	X	X	X	X	X	X	X	X	X	X	X	X	X	X	X	X	X	X	X	X	X	X	X	X	X	X	X	X	X	X	X	X	X	X	X	X	X	X	X	X	X	X	X	X
PACKING PN	TE PN (48P MIXED HOUSING)	1	2	3	4	5	6	7	8	9	10	11	12	13	14	15	16	17	18	19	20	21	22	23	24	25	26	27	28	29	30	31	32	33	34	35	36	37	38	39	40	41	42	43	44	45	46	47	48	
		BLANKED CAVITIES INDICATE CLOSED LOCATIONS																																																
		WITH "X" MARKED CAVITIES INDICATE OPEN LOCATIONS																																																



**CODING 6
YELLOW
LEVER LEFT
CABLE EXIT RIGHT
PN 2137903**

THIS DRAWING IS A CONTROLLED DOCUMENT.		DWN B. PU 26AUG2010	26AUG2010	STE TE Connectivity
DIMENSIONS: mm 		CHK Y. YANG 26AUG2010	26AUG2010	
TOLERANCES UNLESS OTHERWISE SPECIFIED: 0-PLC ±.1 1-PLC ±0.3 2-PLC ±0.3 3-PLC ±0.3 4-PLC ±0.3 ANGLES ±.3 FINISH		APVD K. ODA 02NOV2010	NAME 48POS. MIXED RECEPTACLE HOUSING 40xMQS AND 8x1.5	RESTRICTED TO
MATERIAL		APPLICATION SPEC SEE SHEET 1		SIZE A1
		WEIGHT		CAGE CODE 2050981
		CUSTOMER DRAWING		SCALE 1:1 SHEET 6 OF 6 REV D4