



### Features

- ❑ Transient protection for high-speed data lines
  - IEC 61000-4-2 (ESD) ±15kV (Air)
  - ±8kV (Contact)
  - IEC 61000-4-4 (EFT) 40A (5/50 ns)
  - Cable Discharge Event (CDE)
- ❑ Package optimized for high-speed lines
- ❑ Ultra-small package (1.0mm×0.6mm×0.55mm)
- ❑ Protects one data, control or power line
- ❑ Low capacitance: 0.30pF (Typical)
- ❑ Low leakage current: 10nA @ V<sub>RWM</sub> (Typical)
- ❑ Low clamping voltage
- ❑ Each I/O pin can withstand over 1000 ESD strikes for ±8kV contact discharge
- ❑ ROHS compliant

### Description

TT0541SB is a low -capacitance Transient Voltage Suppressor (TVS) designed to provide electrostatic discharge (ESD) protection for high-speed data interfaces. With typical capacitance of 0.30pF only, TT0541SB is designed to protect parasitic - sensitive systems against over-voltage and over-current transient events. It complies with IEC 61000-4-2 (ESD), Level 4 (±15kV air, ±8kV contact discharge), IEC 61000-4-4 (electrical fast transient - EFT) (40A, 5/50 ns), very fast charged device model (CDM) ESD and cable discharge event (CDE), etc.

TT0541SB uses ultra-small uDFN-2L package. Each TT0541SB device can protect one high-speed data line. It offers system designers flexibility to protect single data line where space is a premium concern. The combined features of low capacitance, ultra-small size and high ESD robustness make TT0541SB ideal for high-speed data port and high-frequency line (e.g., USB 2.0 & antenna line) applications, such as cellular phones and HD visual devices.

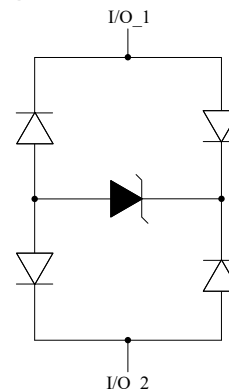
### Applications

- ❑ Serial ATA
- ❑ PCI Express
- ❑ Desktops, Servers and Notebooks
- ❑ Cellular Phones
- ❑ MDDI Ports
- ❑ USB2.0/3.0 Power and Data Line Protection
- ❑ Display Ports
- ❑ Digital Visual Interfaces (DVI)
- ❑ HDMI 1.4/2.0

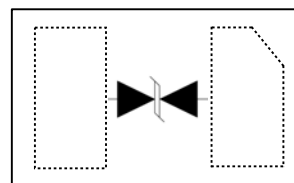
### Mechanical Characteristics

- ❑ DFN1006-2L Package
- ❑ Flammability Rating: UL 94V-0
- ❑ Marking: Part number
- ❑ Packaging: Tape and Reel

### Circuit Diagram



### Pin Configuration



DFN1006-2L  
(Top View)

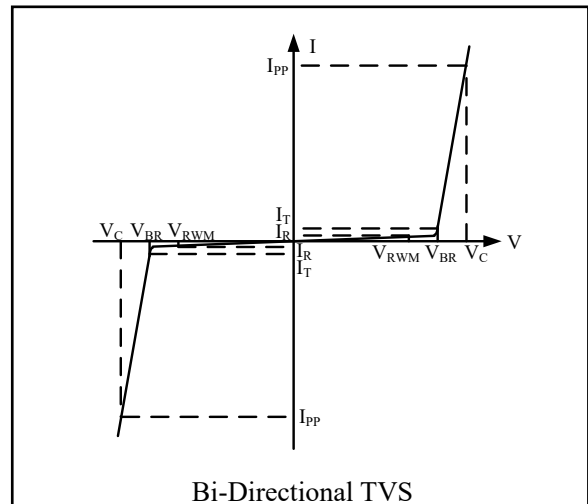


### Absolute Maximum Rating

Symbol	Parameter	Value	Units
$I_{PP}$	Peak Pulse Current( $t_p=8/20\mu s$ )	4.0	A
$V_{ESD}$	ESD per IEC 61000-4-2(Air) ESD per IEC 61000-4-2 (Contact)	$\pm 15$ $\pm 8$	kV
$T_{OPT}$	Operating Temperature	-55/+125	$^{\circ}C$
$T_{STG}$	Storage Temperature	-55/+150	$^{\circ}C$

### Electrical Characteristics (T = 25°C)

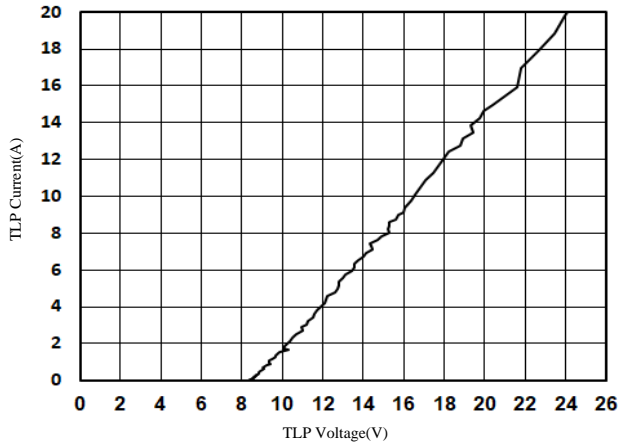
Symbol	Parameter
$V_{RWM}$	Nominal Reverse Working Voltage
$I_R$	Reverse Leakage Current @ $V_{RWM}$
$V_{BR}$	Reverse Breakdown Voltage @ $I_T$
$I_T$	Test Current for Reverse Breakdown
$V_C$	Clamping Voltage @ $I_{PP}$
$I_{PP}$	Peak Pulse Current
$C_{ESD}$	Parasitic Capacitance
$V_R$	Reverse Voltage
f	Small Signal Frequency



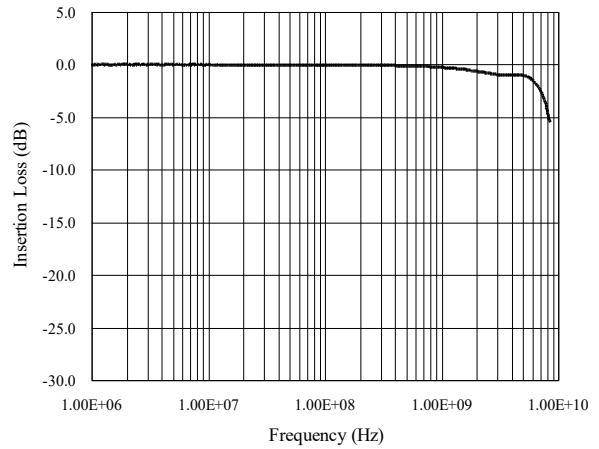
Symbol	Test Condition	Minimum	Typical	Maximum	Units
$V_{RWM}$				5.0	V
$I_R$	$V_{RWM} = 5V, T = 25^{\circ}C$ Between I/O and I/O		0.01	0.1	$\mu A$
$V_{BR}$	$I_T = 1mA$ Between I/O and I/O	7		9	V
$V_C$	$I_{PP} = 4A, t_p = 8/20\mu s$ Between I/O and I/O			15	V
$C_{ESD}$	$V_R = 0V, f = 1MHz$ Between I/O and I/O		0.3		pF



### TLP Measurement of I/O to I/O

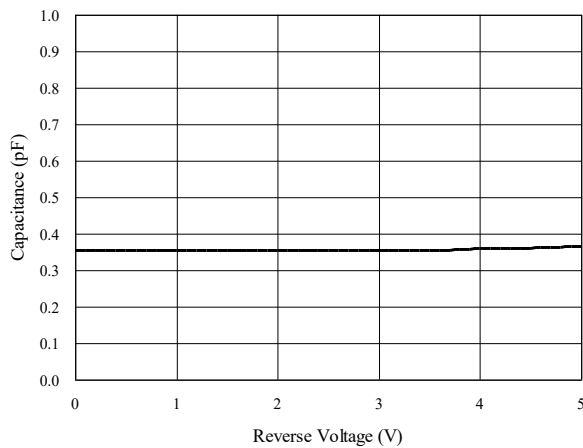


### Insertion Loss S21 of I/O to I/O

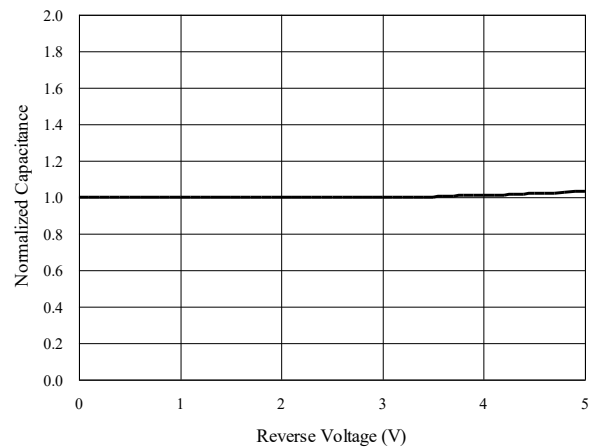


### Capacitance vs. Voltage of I/O to I/O (f = 1MHz)

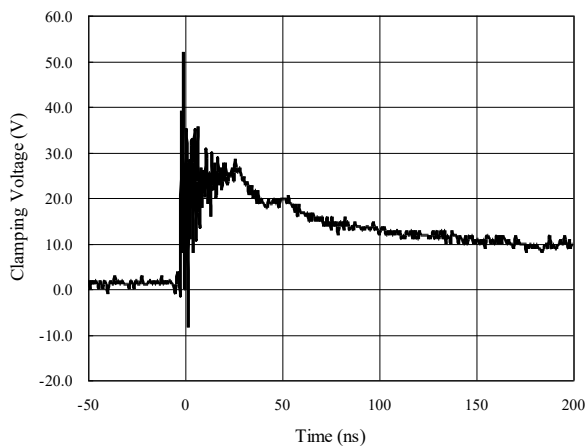
Capacitance vs. Reverse Voltage



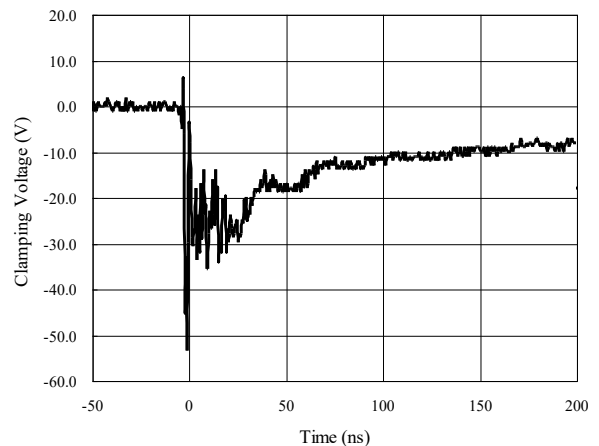
Normalized Capacitance vs. Reverse Voltage



### ESD Clamping of I/O to I/O (+8kV Contact per IEC 61000-4-2)



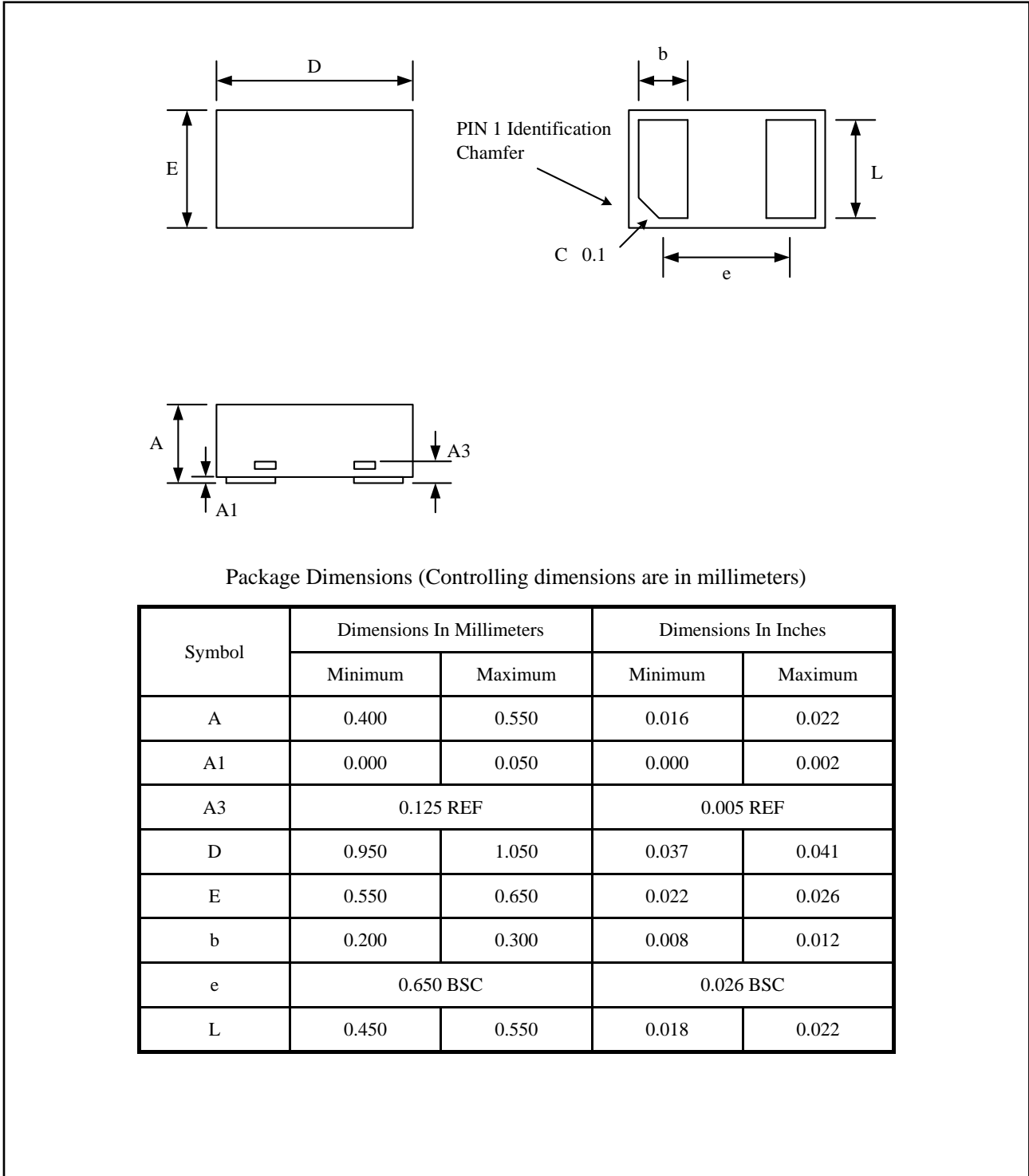
### ESD Clamping of I/O to I/O (-8kV Contact per IEC 61000-4-2)





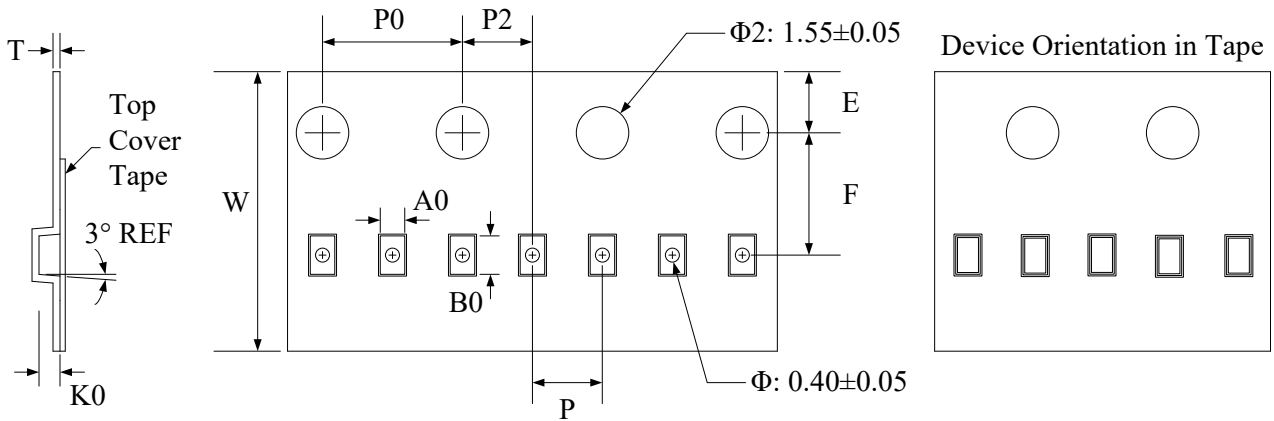
### Package Outline

- DFN1006-2L Package
- MSL-1





### Tape and Reel Specification



Symbol	W	A0	B0	K0	E	F	P	P0	P2	T
Dimensions (mm)	8.00±0.1	0.7±0.05	1.15±0.05	0.55±0.05	1.75±0.1	3.5±0.05	2.0±0.1	4.0±0.1	2.0±0.05	0.2±0.05

### Marking Codes



Or



**Note:**

(1) "4S" is part number, fixed .

**Note:**

(1) "2B" is part number, fixed .

### Ordering Information

Part Number	Working Voltage	Quantity Per Reel	Reel Size
TT0541SB	5V	10,000	7 Inch