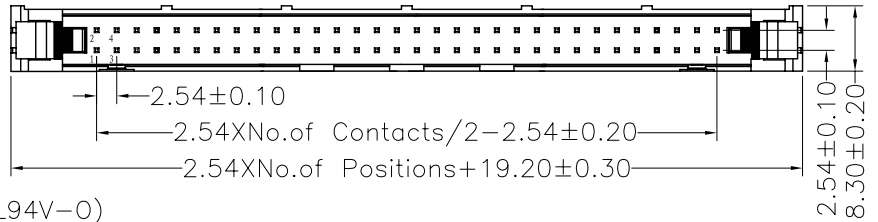


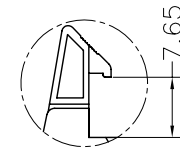
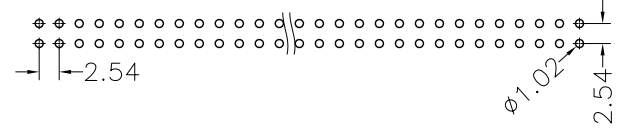
REV.	ECN. NO.	APPD.
A		

NOTES:  
 Current Rating: 3.0AMP  
 Contact Resistance: 20mΩ Max  
 Insulation Resistance: 1000MΩ Min  
 Withstand Voltage: 1000V AC/Minute  
 Operation Temperature: -40°C to +105°C

Contact Material: Brass  
 Contact plating: Sn or Au Over Ni  
 Insulator Material: PBT or PA6T+30%GF(UL94V-0)  
 No side slot "A" and "B" from 6 to 16Pin  
 No side slot "A" from 18 to 58Pin



Recommended P.C.B Layout(Top Side)  
 (PCB BOARD TOLERANCE±0.05)



Long Latch

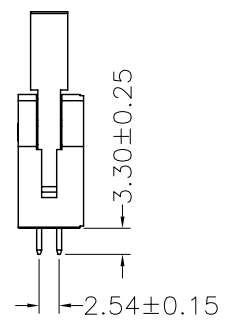
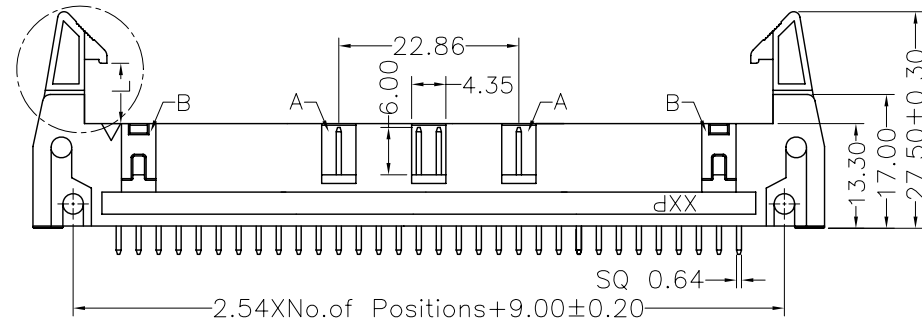


Short Latch

### Ordering Information

**MTE210- XX S X**

No.of Pins	Latch Type
06 24	L=Long Latch
08 26	S=Short Latch
10 30	N=Without Latch
12 34	
14 40	
16 50	
18 60	
20 64	



X. ± 0.30	X.° ± 5°	UNITS mm	NAME(INTENDED USE)	MINTRON CO.,LTD.		
.X ± 0.20	.X° ± 2°	MAT'L	PART NO.(INTENDED USE)			
.XX ± 0.10	.XX° ± 1°	FINISH	APPD: SUNNY	DWG NO.:		
.XXX ± 0.05	.XXX° ± 0.5°	Q'TY	CHKD: LISA			
EJECTOR HEADER CONNECTOR			DR: ZOE	2006-11-28		
					SCALE 1/1	SHEET 1/1