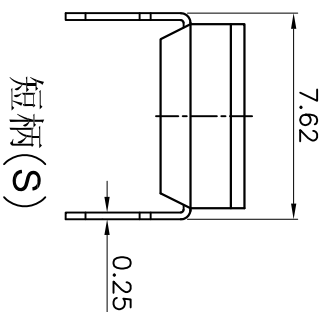
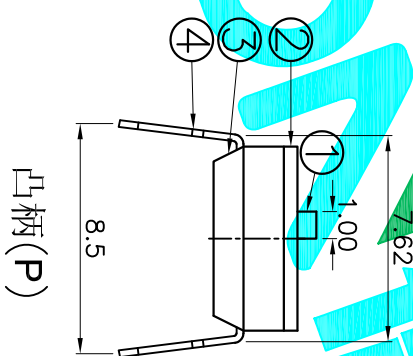
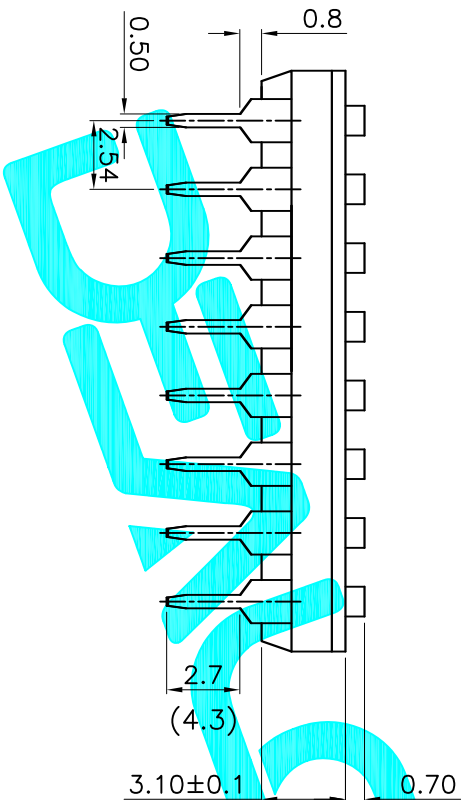
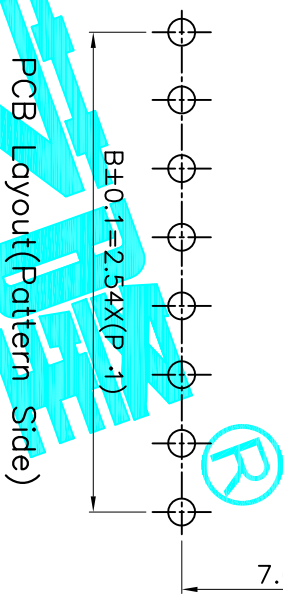
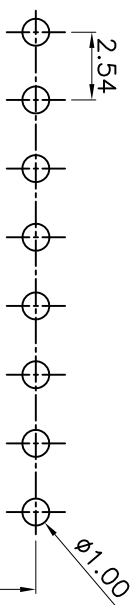
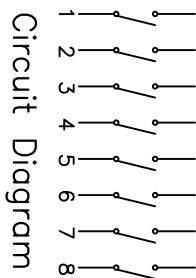


- NOTE:
1. Rating: 24V 25mA DC
 2. Contact Resistance: 50mΩ max
 3. Dielectric Strength: 500V AC/1Minute
 4. Operating Force: 1000gf Max
 5. Operating Life: 2,000 Cycles



Position(位数)	2P	3P	4P	5P	6P	7P	8P	9P	10P	12P
DIM.A(长度)	6.54	9.08	11.62	14.16	16.70	19.24	21.78	24.32	26.86	31.94
DIM.B(长度)	2.54	5.08	7.62	10.16	12.70	15.24	17.78	20.32	22.86	27.94

PART NO.	凸柄(P)	短柄(S)
SM-02KP	SM-03KP	SM-04KP
SM-02KS	SM-03KS	SM-04KS
SM-02KP	SM-03KP	SM-04KP
SM-02KS	SM-03KS	SM-04KS
SM-05KP	SM-06KP	SM-07KP
SM-05KS	SM-06KS	SM-07KS
SM-08KP	SM-09KP	SM-10KP
SM-08KS	SM-09KS	SM-10KS
SM-12KP		
SM-12KS		

ECN NO.	REV.	DATE.	DESCRIPTION.	CHANGE.	CHECK.	APPRO.
	A		NEW			

APPROVALS		DATE	ELECTRONICS CO.,LTD	
DRAWN	G.M.Chen	2015/6/26		
CHECKED				
APPROVALS				
TOLERANCES ARE			PART NO.	SM-XXXX
±0.30	±0.20	ANGLE	TITLE: DIP SWITCHES	
±0.10	±0.15	±2°	UNIT: mm	SCALE: 1:1
±0.10			DRAWING NO.	SHEET 1 OF 1

ITEM	PART NAME	QTY.	MATERIAL	FINISHING
④	Terminal		Phosphor bronze	Au Plating
③	Base	1	PBT	Black
②	Cover	1	PBT	Black
①	Keystoke	1	PBT	White