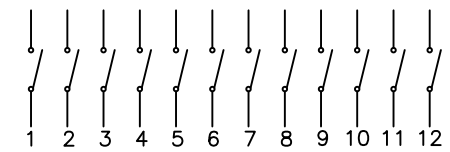
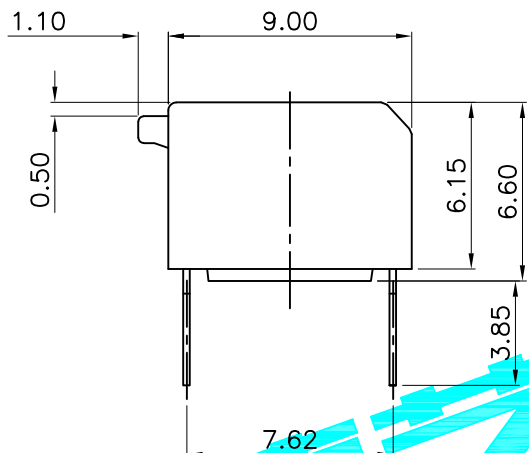
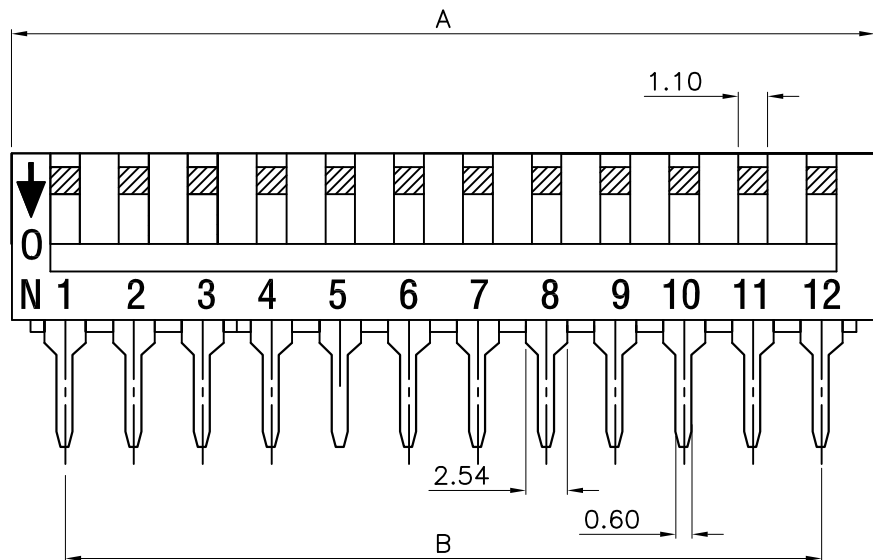


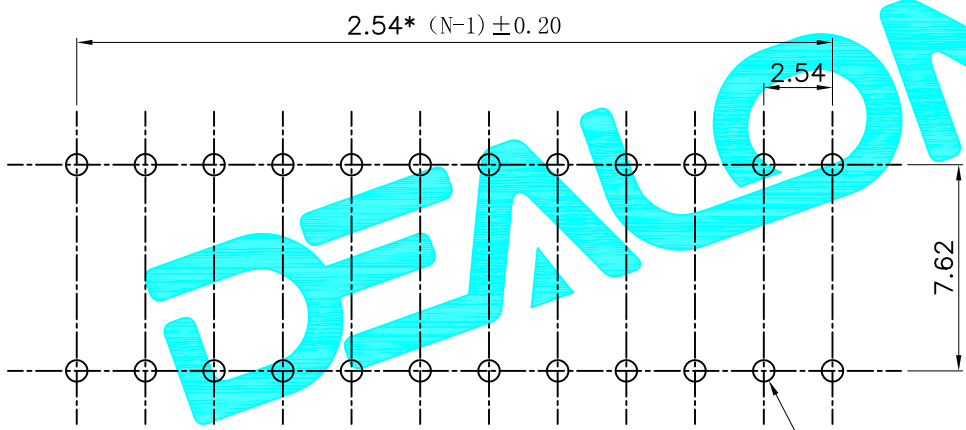
CAD FILE:



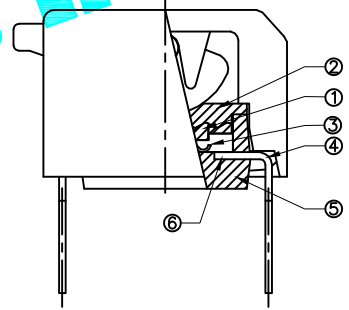
Circuit Diagram



- NOTE:
- 1.Rating: 24V 25mA DC
 - 2.Contact Resistance: 50mΩ max
 - 3.Dielectric Strength:500V AC/1Minute
 - 4.Operating Force: 1000gf Max
 - 5.Operating Life:2,000 Cycles



PCB Layout(Pattern Side)



Position(位数)	2P	3P	4P	5P	6P	7P	8P	9P	10P	12P	
DIM.A(长度)	6.48	9.02	11.56	14.10	16.64	19.18	21.72	24.26	26.80	31.88	
DIM.B(长度)	2.54	5.08	7.62	10.16	12.70	15.24	17.78	20.32	22.86	27.94	
PART NO. 型号/原色(R)	凸柄(P)	DV-02P	DV-03P	DV-04P	DV-05P	DV-06P	DV-07P	DV-08P	DV-09P	DV-10P	DV-12P

ITEM	PART NAME	QTY.	MATERIAL	FINISHING
⑥	Terminal Contact	1	Brass	Au Plating
⑤	Base	1	PBT	Black
④	Terminal	1	Phosphor bronze	Au Plating
③	Movable	1	Copper Alloy	Au Plating
②	Cover	1	PBT	Black
①	Actuator	1	PBT	White

APPROVALS

DATE: 2015/6/26

DRAWN: G.M.Chen

CHECKED:

APPROVALS:

TOLERANCES ARE

30~以上	±0.30	ANGLE
10~30	±0.20	
5~10	±0.15	
~ 5	±0.10	

±2'

DEALON 德之隆®
ELECTRONICS CO.,LTD

TITLE: DIP SWITCHES

PART NO. DV-XXXX

UNIT: mm SCALE: 1:1 SHEET 1 OF 1

DRAWING NO. PROJ:

ECN NO.	REV.	DATE.	DESCRIPTION.	CHANGE.	CHECK.	APPRO.
	A		NEW			