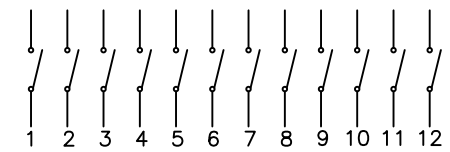
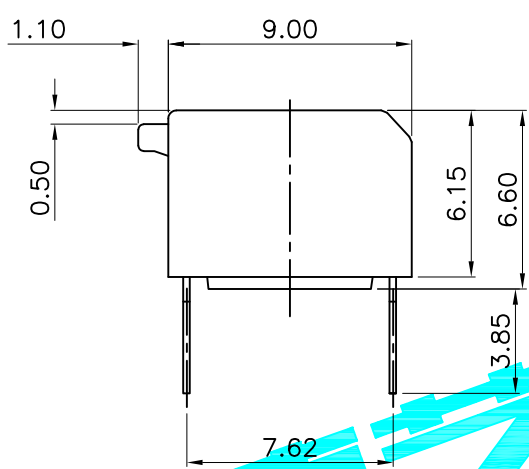
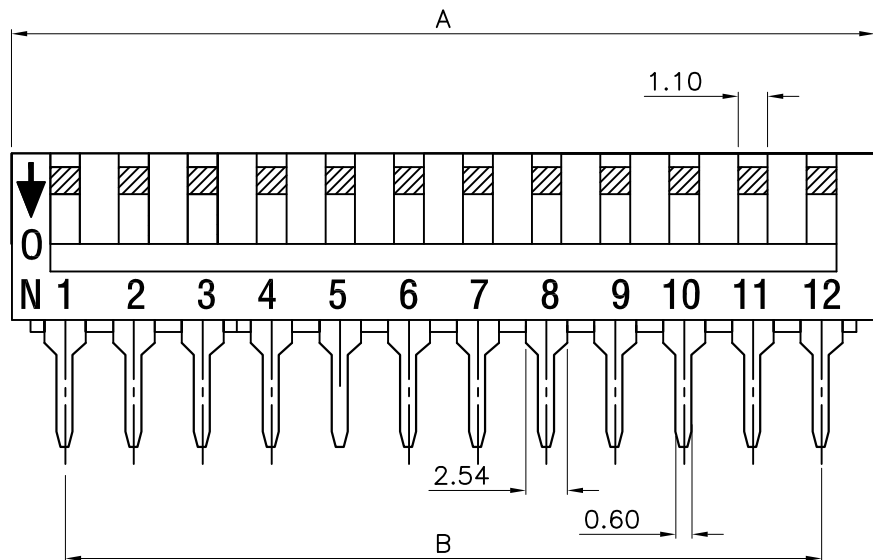


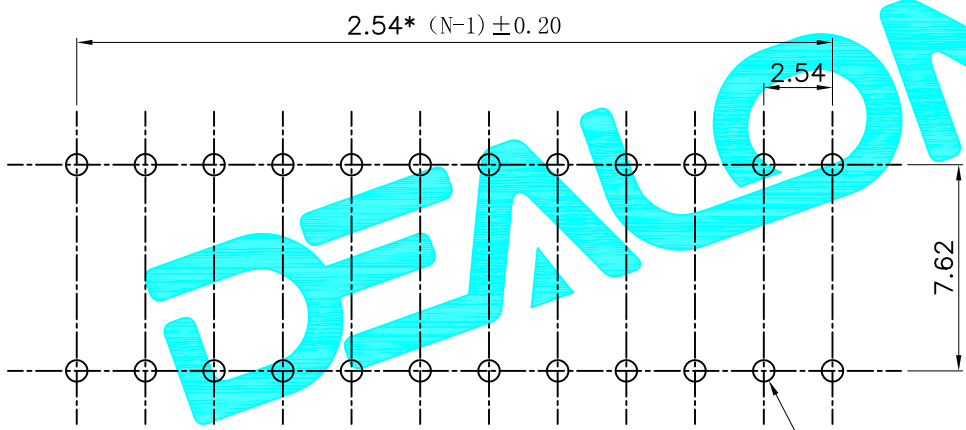
CAD FILE:



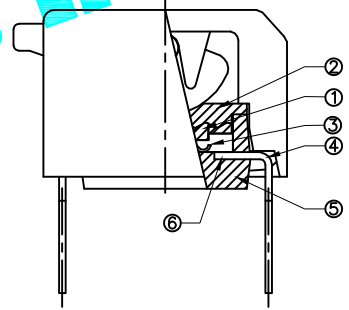
Circuit Diagram



- NOTE:
- 1.Rating: 24V 25mA DC
 - 2.Contact Resistance: 50mΩ max
 - 3.Dielectric Strength:500V AC/1Minute
 - 4.Operating Force: 1000gf Max
 - 5.Operating Life:2,000 Cycles



PCB Layout(Pattern Side)



| Position(位数) | 2P | 3P | 4P | 5P | 6P | 7P | 8P | 9P | 10P | 12P | |
|----------------------|-------|--------|--------|--------|--------|--------|--------|--------|--------|--------|--------|
| DIM.A(长度) | 6.48 | 9.02 | 11.56 | 14.10 | 16.64 | 19.18 | 21.72 | 24.26 | 26.80 | 31.88 | |
| DIM.B(长度) | 2.54 | 5.08 | 7.62 | 10.16 | 12.70 | 15.24 | 17.78 | 20.32 | 22.86 | 27.94 | |
| PART NO. 型号/原色(R) | 凸柄(P) | DV-02P | DV-03P | DV-04P | DV-05P | DV-06P | DV-07P | DV-08P | DV-09P | DV-10P | DV-12P |

| ITEM | PART NAME | QTY. | MATERIAL | FINISHING |
|------|------------------|------|-----------------|------------|
| ⑥ | Terminal Contact | 1 | Brass | Au Plating |
| ⑤ | Base | 1 | PBT | Black |
| ④ | Terminal | 1 | Phosphor bronze | Au Plating |
| ③ | Movable | 1 | Copper Alloy | Au Plating |
| ② | Cover | 1 | PBT | Black |
| ① | Actuator | 1 | PBT | White |

APPROVALS

DATE: 2015/6/26

DRAWN: G.M.Chen

CHECKED:

APPROVALS:

TOLERANCES ARE

| | | |
|-------|-------|-------|
| 30~以上 | ±0.30 | ANGLE |
| 10~30 | ±0.20 | |
| 5~10 | ±0.15 | |
| ~ 5 | ±0.10 | |

±2'

DEALON 德之隆®
ELECTRONICS CO.,LTD

TITLE: DIP SWITCHES

PART NO. DV-XXXX

UNIT: mm SCALE: 1:1 SHEET 1 OF 1

DRAWING NO. PROJ:

| ECN NO. | REV. | DATE. | DESCRIPTION. | CHANGE. | CHECK. | APPRO. |
|---------|------|-------|--------------|---------|--------|--------|
| | A | | NEW | | | |