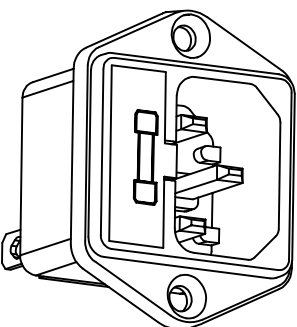
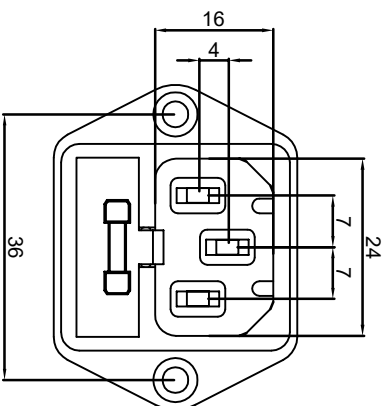




东莞市宏聚电子五金制品有限公司


HONGJU(DONGGUAN)ELECTRONIC & METAL PRODUCTS CO.,LTD

S-03F-11-4



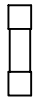
Rating: 6.3A 250V AC (UL CUL ) 

6.3A 250V AC (TUV) 

10A 250V AC (CCC) 

Insulation Resistance: DC 500V 100MΩ Min.

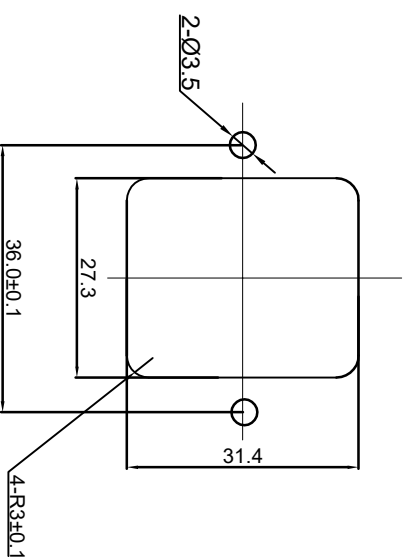
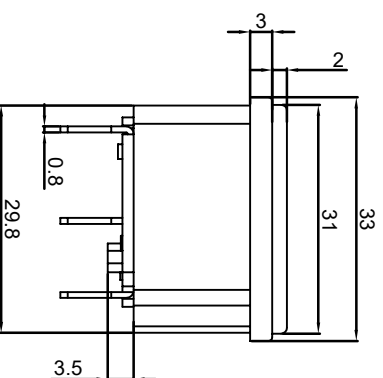
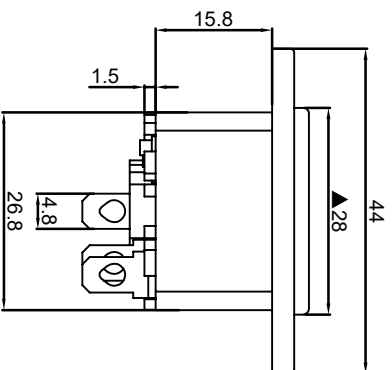
Dielectric Strength: AC2000V 1 minute

Fuse:Ø5.0x20mm 

MATERIAL:

Body:PBT

Terminal:Brass,Silver or Tin plated



CUT-OUT

		公差 TOLERANCES		.X±0.3 .XX±0.15		角度 ANGLE ±1°		单位 DIMENSION UNIT		mm.	
A1	重新整理发行	2019.07.10	N/A	版本 VERSION	A1	比例尺 SCALE	NONE	日期 DATE	2021.12.15	品名 TITLE	S-03F-11-4-W
A0	New Issue	2011.05.04	N/A	核准 APPROVED BY		核对 CHECKED BY		绘图 DATE	Z.H.B.	图号 DRAWING NO	S-03F-11-4-W_A1
版本 VER	变更说明 CHANGE DESCRIPTION	日期 DATE	ECN NO	APPROVED BY	CHECKED BY	DRAWN BY					