

Surface Mount Mixer and Detector Schottky Diodes

Applications

- Sensitive RF and microwave detector circuits
- Sampling and mixer circuits
- High-volume wireless
- WiFi and mobile
- Low-noise receivers in high-sensitivity ID tags
- Radio designs

Features

- Tight parameter distribution
- Available as singles, pairs, and dual pairs
- Packages rated MSL1, 260 °C per JEDEC J-STD-020)



Skyworks Green™ products are compliant with all applicable legislation and are halogen-free. For additional information, refer to *Skyworks Definition of Green™*, document number SQ04-0074.

Description

These low-cost, surface mountable, plastic packaged silicon mixer Schottky diodes are designed for RF and microwave mixers and detectors. They include low barrier diodes and zero-bias detectors that combine Skyworks advanced semiconductor technology with low-cost packaging techniques. All diodes are 100 percent DC tested and deliver tight parameter distribution, which minimizes performance variability.

These diodes are available in SOD-882, SC-70, SC-79, SC-88, SOD-323, SOT-23, SOT-143, and Molded Interconnect System (MIS) packages. Wiring configurations include singles, common cathode, series pairs, unconnected pairs, and dual series pairs. They may be used at frequencies up to 24 GHz.

Table 1 describes the various packages and marking of the mixer and detector Schottky diodes.

Table 1. Schottky Diode Packaging and Marking

Single	Single	Single	Common Cathode	Series Pair
SC-79 Green™	SOD-323 Green™	SOT-23	SOT-23	SOT-23
				SMS1546-005LF Green™ Marking: XG2
		SMS7621-001 Marking: SH1		◆ SMS7621-005 Marking: SH2
◆ SMS7621-079LF Marking: Cathode		SMS7621-001LF Green™ Marking: XH1		◆ SMS7621-005LF Green™ Marking: XH2
		SMS7630-001 Marking: SD1		SMS7630-005 Marking: SD2
◆ SMS7630-079LF Marking: Anode	SMS7630-011LF Marking: XD	SMS7630-001LF Green™ Marking: XD1		SMS7630-005LF Green™ Marking: XD2
$L_S = 0.7 \text{ nH}$	$L_S = 1.5 \text{ nH}$	$L_S = 1.5 \text{ nH}$		$L_S = 1.5 \text{ nH}$
			SC-70	SC-70
			SMS7621-074 Marking: SH3	SMS7621-075 Marking: SH2
			SMS7621-074LF Green™ Marking: XH3	SMS7621-075LF Green™ Marking: XH2
			$L_S = 1.4 \text{ nH}$	$L_S = 1.4 \text{ nH}$

Reverse Series Pair	Unconnected Pair	Reverse Unconnected Pair	Unconnected Pair	Dual Series Pair	Single
SOT-23	SOT-143	SOT-143	MIS Green™	SC-88 Green™	SOD-882 Green™
◆ SMS7621-006 Marking: SH8	SMS7621-015 Marking: SH7		SMS7621-517 Marking: H Pb-Free		
◆ SMS7621-006LF Green™ Marking: XH8	SMS7621-015LF Marking: XH7			SMS7621-081LF Marking: XHQ	SMS7621-040LF Marking: E
◆ SMS7630-006 Marking: SD8		◆ SMS7630-020 Marking: SD0	SMS7630-517 Marking: D Pb-Free		
◆ SMS7630-006LF Green™ Marking: XD8		◆ SMS7630-020LF Marking: XD0			SMS7630-040LF Marking: P
$L_S = 1.5 \text{ nH}$	$L_S = 1.5 \text{ nH}$	$L_S = 1.5 \text{ nH}$	$L_S = 0.6 \text{ nH}$	$L_S = 1.8 \text{ nH}$	$L_S = 0.45 \text{ nH}$



The Pb-free symbol or "LF" in the part number denotes a lead-free, RoHS-compliant package unless otherwise noted as Green™. Tin/lead (Sn/Pb) packaging is not recommended for new designs.



Innovation to Go™

Select Linear Products (indicated by ◆) now available for purchase online.

Electrical and Mechanical Specifications

The absolute maximum ratings of the mixer and detector Schottky diodes are provided in Table 2. Electrical specifications are provided in Tables 3 and 4. The associated SPICE model parameters are provided in Table 5. A typical detector schematic diagram is shown in Figure 1.

A pinout and equivalent circuit diagram for the dual series pair Schottky diode (SMS7621-081LF) is shown in Figure 2. Typical performance characteristics are illustrated in Figures 3 and 4. Package dimensions are shown in Figures 5 to 19 (odd numbers), and tape and reel dimensions are provided in Figures 6 to 20 (even numbers).

Otherwise, problems related to moisture absorption may occur when the part is subjected to high temperature during solder assembly.

The mixer and detector Schottky diodes are rated to Moisture Sensitivity Level 1 (MSL1) at 260 °C for 5 seconds. They can be used for lead or lead-free soldering. For additional information, refer to the Skyworks Application Note, *Solder Reflow Information*, document number 200164.

Care must be taken when attaching this product, whether it is done manually or in a production solder reflow environment. Production quantities of this product are shipped in a standard tape and reel format.

Package and Handling Information

Instructions on the shipping container label regarding exposure to moisture after the container seal is broken must be followed.

Table 2. Surface Mount Mixer and Detector Diodes Absolute Maximum Ratings

Parameter	Symbol	Minimum	Maximum	Units
Reverse voltage	V_R		Rated V_B	V
Forward current, steady state	I_F		50	mA
Power dissipation	P_D		75	mW
Storage temperature	T_{STG}	-65	+150	°C
Operating temperature	T_A	-65	+150	°C
Junction temperature	T_J		+150	°C

Note: Exposure to maximum rating conditions for extended periods may reduce device reliability. There is no damage to device with only one parameter set at the limit and all other parameters set at or below their nominal value. Exceeding any of the limits listed here may result in permanent damage to the device.

CAUTION: Although this device is designed to be as robust as possible, Electrostatic Discharge (ESD) can damage this device. This device must be protected at all times from ESD. Static charges may easily produce potentials of several kilovolts on the human body or equipment, which can discharge without detection. Industry-standard ESD precautions should be used at all times.

Table 3. Surface Mount Mixer and Detector Diodes Electrical Specifications (Note 1)

($T_A = +25$ °C Per Junction, Unless Otherwise Noted)

Part Number	Barrier	Minimum V_B @ 10 μ A (V)	Typical C_T @ 0 V (pF)	V_F @ 1 mA (mV)	Maximum Pair Configuration ΔV_F @ 1 mA (mV)	Maximum R_T (Note 2) (Ω)
SMS1546 series	Low	2	0.50	200 to 270	10	8 @ 10 mA
SMS7621 series	Low	2	0.25	260 to 320	10	18 @ 5 mA

Note 1: Performance is guaranteed only under the conditions listed in this Table.

Note 2: R_T is the slope resistance.

Table 4. Surface Mount Mixer and Detector Diodes Electrical Specifications (Note 1)
 (T_A = +25 °C Per Junction, Unless Otherwise Noted)

Part Number	Minimum V _B @ 100 μA (V)	Typical C _T @ 0.15 V (pF)	V _F @ 0.1 mA (mV)	V _F @ 1 mA (mV)	Maximum Pair Configuration ΔV _F @ 1 mA (mV)	Typical R _v (Ω)
SMS7630 series	1	0.3	60 to 120	135 to 240	10	5000

Note 1: Performance is guaranteed only under the conditions listed in this Table.

Table 5. SPICE Model Parameters (Per Junction)

Parameter	Units	SMS1546 Series	SMS7621 Series	SMS7630 Series
I _s	A	3E-7	4E-8	5E-6
R _s	Ω	4	12	20
N	–	1.04	1.05	1.05
T _T	sec	1E-11	1E-11	1E-11
C _{J0}	pF	0.38	0.1	0.14
M	–	0.36	0.35	0.40
E _g	eV	0.69	0.69	0.69
X _{TI}	–	2	2	2
F _c	–	0.5	0.5	0.5
B _v	V	3	3	2
I _{bv}	A	1E-5	1E-5	1E-4
V _J	V	0.51	0.51	0.34

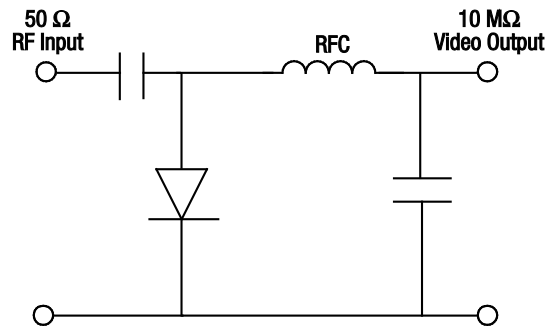
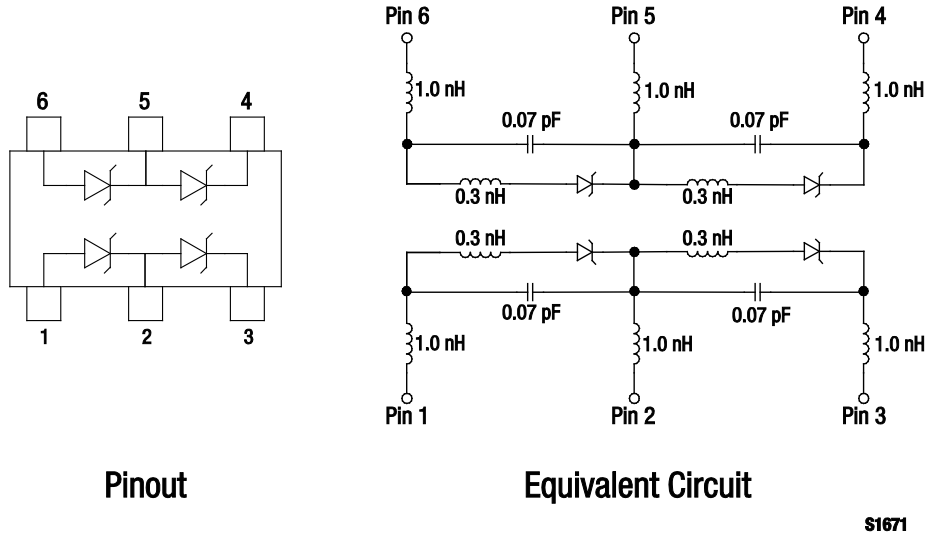


Figure 1. Typical Detector Circuit



Pinout

Equivalent Circuit

S1671

Figure 2. SMS7621-081LF Dual Series Pair Pinout and Equivalent Circuit

Typical Performance Characteristics

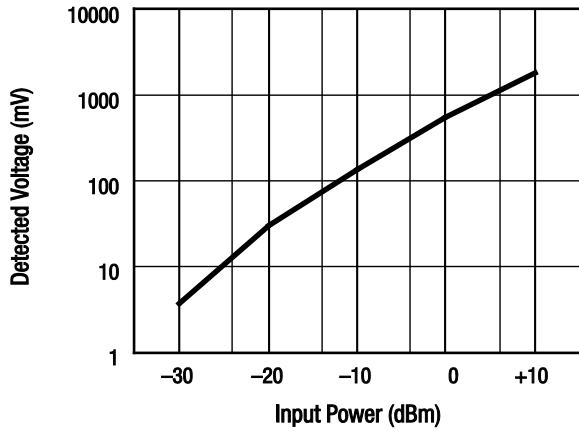


Figure 3. Typical Detector Characteristics @ 1.8 GHz

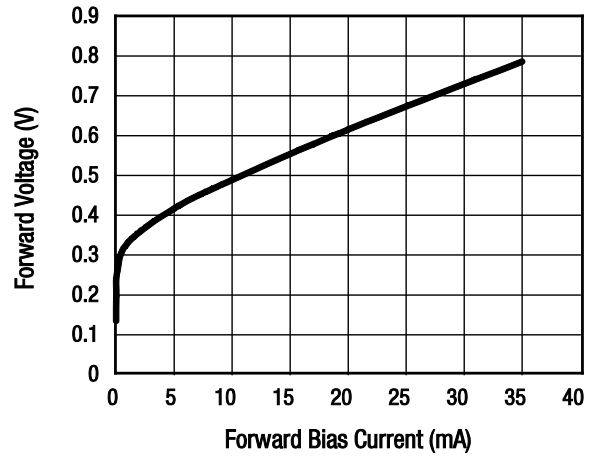
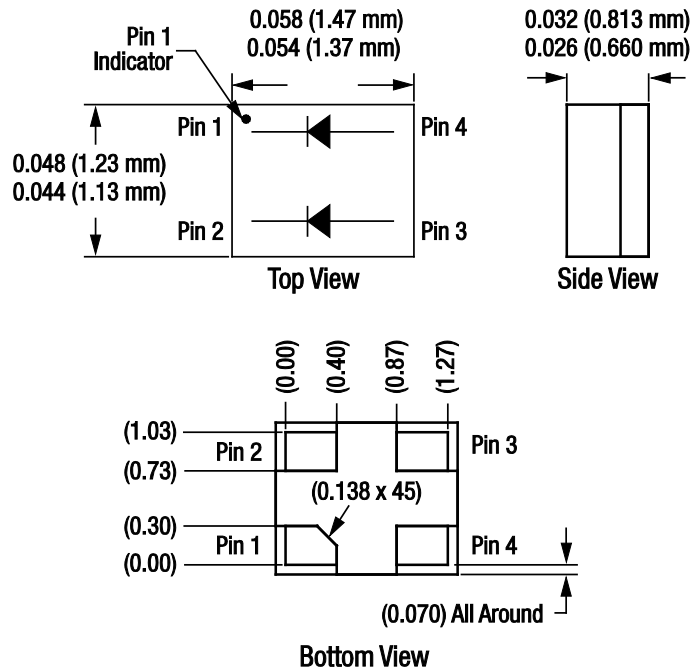


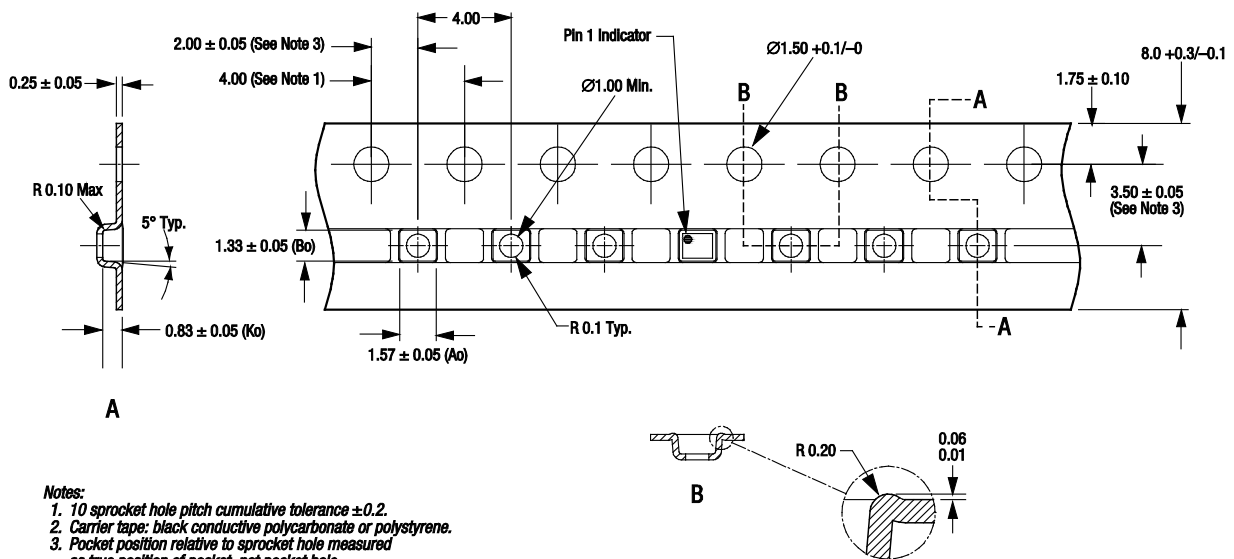
Figure 4. SMS7621-081LF Forward Voltage vs Forward Bias Current



Dimensions are in inches (millimeters shown in parentheses)

S1833

Figure 5. MIS Package Dimension Drawing



Notes:

1. 10 sprocket hole pitch cumulative tolerance ± 0.2 .
2. Carrier tape: black conductive polycarbonate or polystyrene.
3. Pocket position relative to sprocket hole measured as true position of pocket, not pocket hole.
4. ESD-surface resistivity is $\leq 1 \times 10^8$ Ohms/square per EIA, JEDEC TNR Specification.
5. Cover tape material: transparent conductive PSA with 5.4 mm width.
6. All measurements are in millimeters.

S2928

Figure 6. MIS Tape and Reel Dimensions

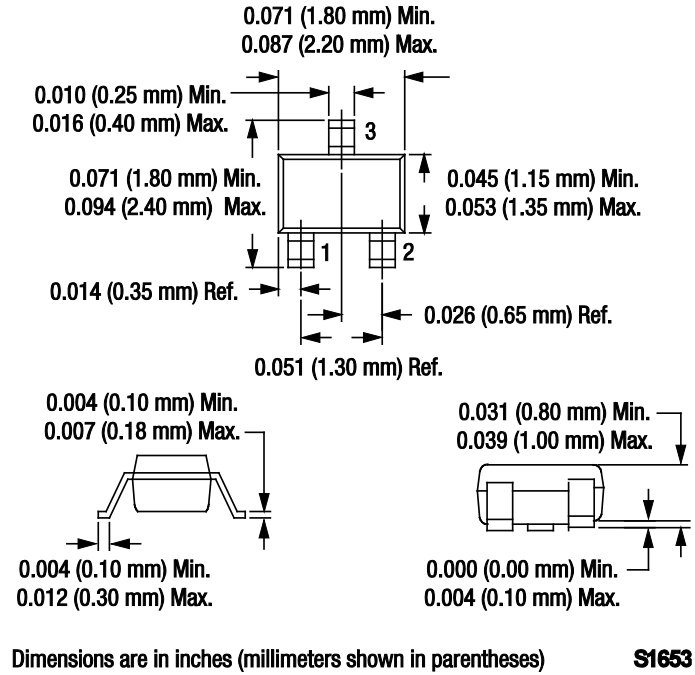
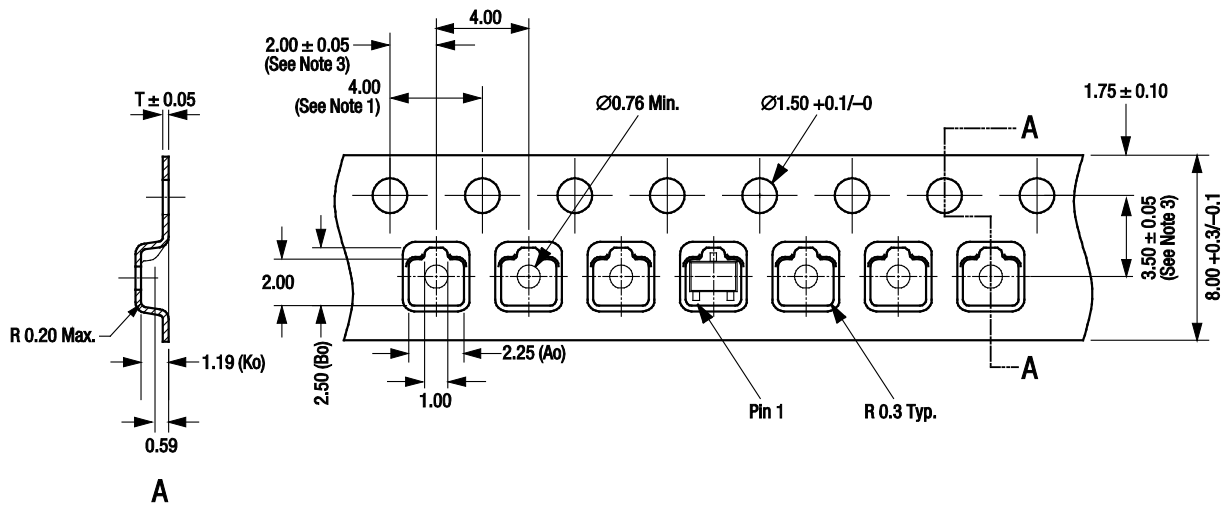


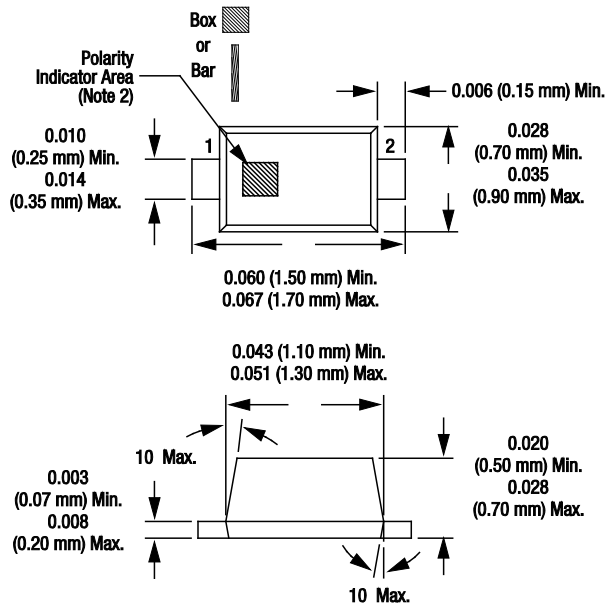
Figure 7. SC-70 Package Dimension Drawing



- Notes:
1. Sprocket hole pitch cumulative tolerance ± 0.2 .
 2. Carrier tape: black conductive polystyrene.
 3. Pocket position relative to sprocket hole measured as true position of pocket, not pocket hole.
 4. Cover tape material: transparent conductive PSA with 9.2 mm width.
 5. All measurements are in millimeters.

S1685c

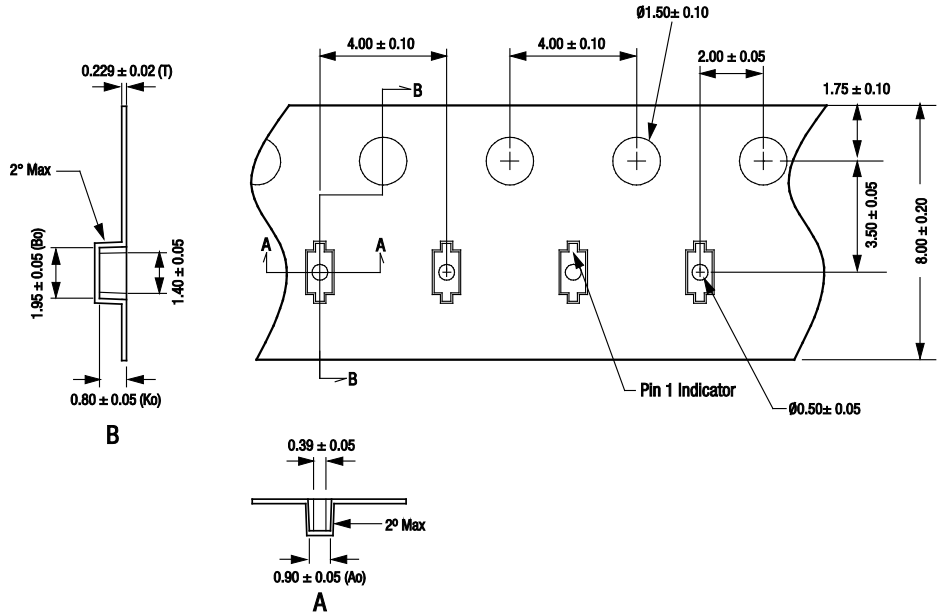
Figure 8. SC-70 Tape and Reel Dimensions



- Notes:
 1. Dimensions are in inches (millimeters shown in parentheses).
 2. Cathode indicator for SMS7621-079LF
 Anode indicator for SMS7630-079LF

S1652a

Figure 9. SC-79 Package Dimension Drawing



- Notes:
 1. Carrier tape: black conductive polycarbonate or polystyrene.
 2. Cover tape material: transparent conductive PSA.
 3. Cover tape size: 5.4 mm width.
 4. ESD-surface resistivity is $\leq 1 \times 10^8$ Ohms/square per EIA, JEDEC TNR Specification.
 4. All measurements are in millimeters.

S2029

Figure 10. SC-79 Tape and Reel Dimensions

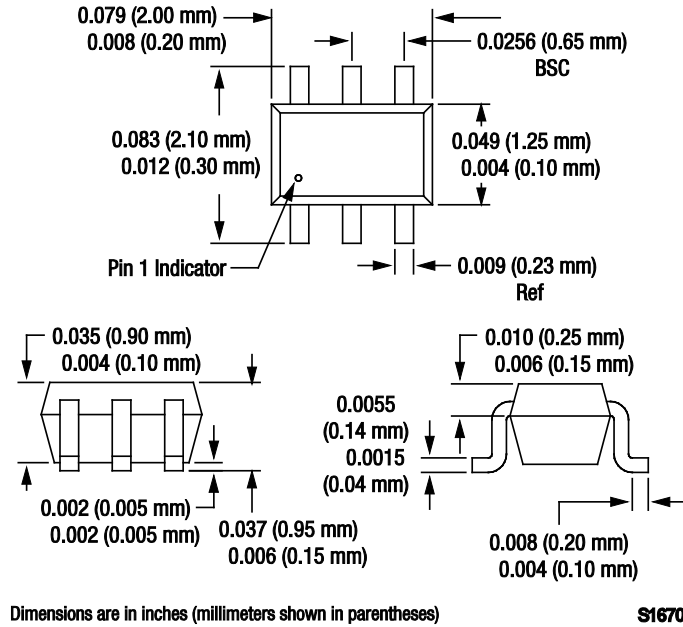


Figure 11. SC-88 Package Dimension Drawing

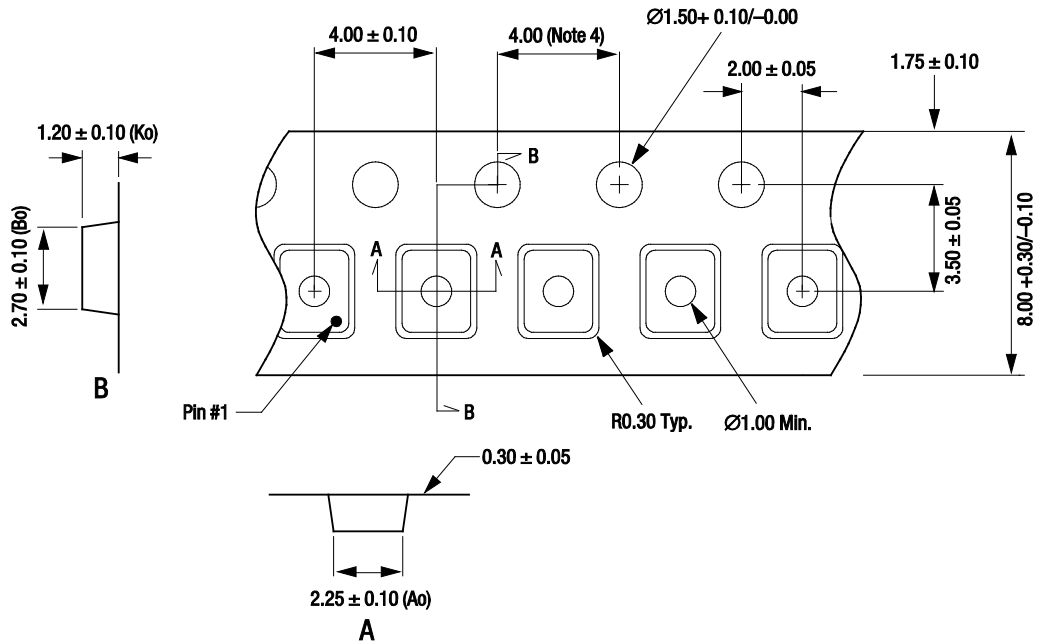
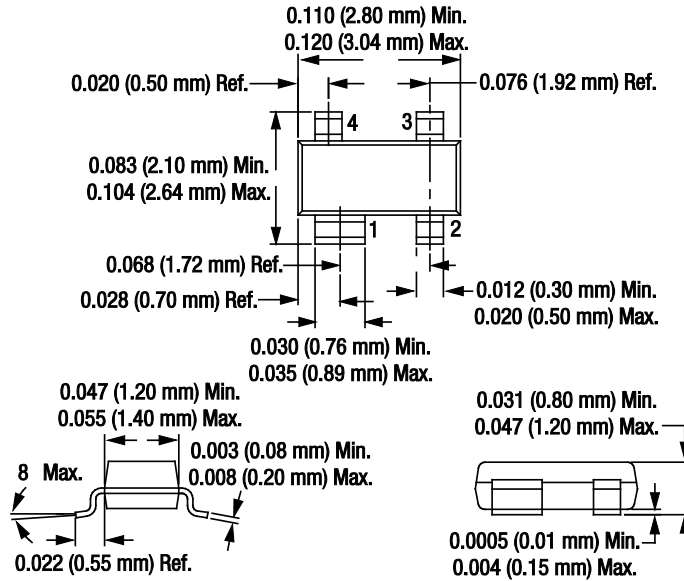
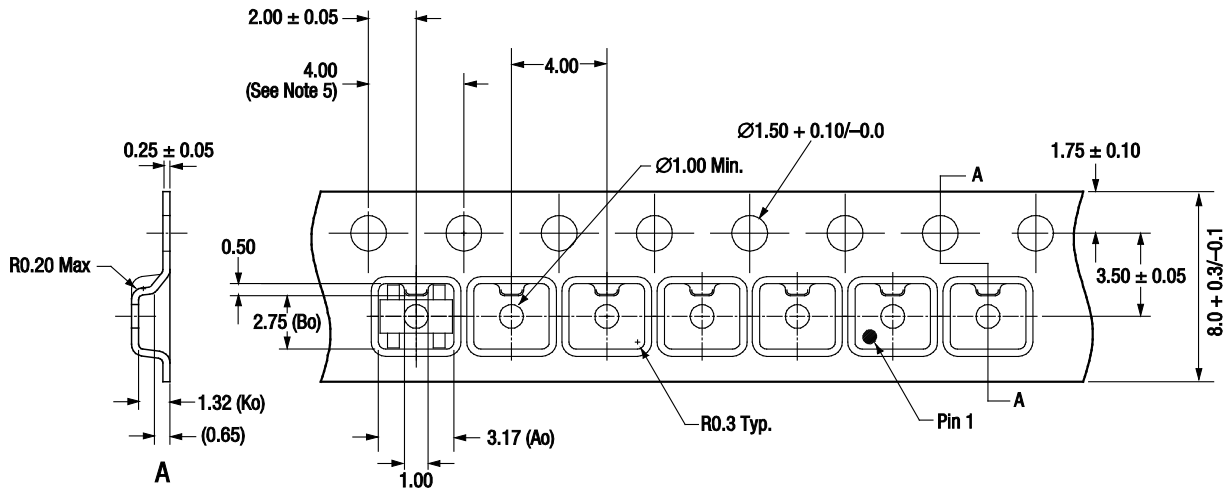


Figure 12. SC-88 Tape and Reel Dimensions



Dimensions are in inches (millimeters shown in parentheses) **S1651**

Figure 19. SOT-143 Package Dimension Drawing



- Notes:
1. Carrier tape: black conductive polycarbonate.
 2. Cover tape material: transparent conductive PSA.
 3. Cover tape size: 5.4 mm width.
 4. Tolerance: $.XX = \pm 0.10$
 5. Ten sprocket hole pitch cumulative tolerance: ± 0.2 mm.
 6. All measurements are in millimeters.

S2515a

Figure 20. SOT-143 Tape and Reel Dimensions

Copyright © 2002-2007, 2009-2012, 2013 Skyworks Solutions, Inc. All Rights Reserved.

Information in this document is provided in connection with Skyworks Solutions, Inc. ("Skyworks") products or services. These materials, including the information contained herein, are provided by Skyworks as a service to its customers and may be used for informational purposes only by the customer. Skyworks assumes no responsibility for errors or omissions in these materials or the information contained herein. Skyworks may change its documentation, products, services, specifications or product descriptions at any time, without notice. Skyworks makes no commitment to update the materials or information and shall have no responsibility whatsoever for conflicts, incompatibilities, or other difficulties arising from any future changes.

No license, whether express, implied, by estoppel or otherwise, is granted to any intellectual property rights by this document. Skyworks assumes no liability for any materials, products or information provided hereunder, including the sale, distribution, reproduction or use of Skyworks products, information or materials, except as may be provided in Skyworks Terms and Conditions of Sale.

THE MATERIALS, PRODUCTS AND INFORMATION ARE PROVIDED "AS IS" WITHOUT WARRANTY OF ANY KIND, WHETHER EXPRESS, IMPLIED, STATUTORY, OR OTHERWISE, INCLUDING FITNESS FOR A PARTICULAR PURPOSE OR USE, MERCHANTABILITY, PERFORMANCE, QUALITY OR NON-INFRINGEMENT OF ANY INTELLECTUAL PROPERTY RIGHT; ALL SUCH WARRANTIES ARE HEREBY EXPRESSLY DISCLAIMED. SKYWORKS DOES NOT WARRANT THE ACCURACY OR COMPLETENESS OF THE INFORMATION, TEXT, GRAPHICS OR OTHER ITEMS CONTAINED WITHIN THESE MATERIALS. SKYWORKS SHALL NOT BE LIABLE FOR ANY DAMAGES, INCLUDING BUT NOT LIMITED TO ANY SPECIAL, INDIRECT, INCIDENTAL, STATUTORY, OR CONSEQUENTIAL DAMAGES, INCLUDING WITHOUT LIMITATION, LOST REVENUES OR LOST PROFITS THAT MAY RESULT FROM THE USE OF THE MATERIALS OR INFORMATION, WHETHER OR NOT THE RECIPIENT OF MATERIALS HAS BEEN ADVISED OF THE POSSIBILITY OF SUCH DAMAGE.

Skyworks products are not intended for use in medical, lifesaving or life-sustaining applications, or other equipment in which the failure of the Skyworks products could lead to personal injury, death, physical or environmental damage. Skyworks customers using or selling Skyworks products for use in such applications do so at their own risk and agree to fully indemnify Skyworks for any damages resulting from such improper use or sale.

Customers are responsible for their products and applications using Skyworks products, which may deviate from published specifications as a result of design defects, errors, or operation of products outside of published parameters or design specifications. Customers should include design and operating safeguards to minimize these and other risks. Skyworks assumes no liability for applications assistance, customer product design, or damage to any equipment resulting from the use of Skyworks products outside of stated published specifications or parameters.

Skyworks, the Skyworks symbol, and "Breakthrough Simplicity" are trademarks or registered trademarks of Skyworks Solutions, Inc., in the United States and other countries. Third-party brands and names are for identification purposes only, and are the property of their respective owners. Additional information, including relevant terms and conditions, posted at www.skyworksinc.com, are incorporated by reference.