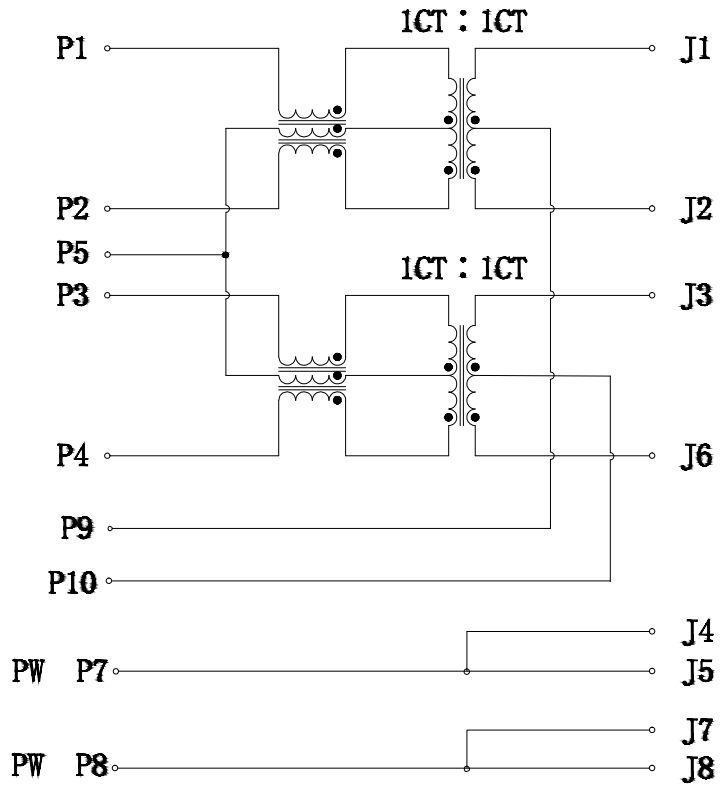


NO.	ECN NO.	DESCRIPTION	REV.	DRAW	DATE
1		新版发行	A0	廖振纲	20200728
2					

PCB CONNECTIONS

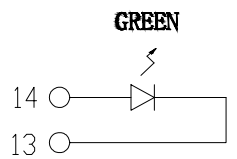
RJ45 CONNECTOR



Electrical Specifications @25°C

1. OCL: 350uH Min
@100KHz, 100mVrms, 8mA DC Bias
2. Turns Ratio:
TX = 1CT : 1CT ±2%
RX = 1CT : 1CT ±2%
3. Insertion Loss:
0.1~100MHz: -1.0dB Max
4. Return Loss (dB Min):
1~30MHz: -18 30~60MHz: -16
60~100MHz: -12
5. Crosstalk (dB Typ):
1~30MHz: -40 30~60MHz: -35
60~100MHz: -30
6. CMR (dB Typ):
1~60MHz: -40 60~100MHz: -30
7. Hi-Pot: 1500Vrms @60Hz
8. Operating Temperature: -40°C ~ +85°C.

Emitting Color	λp(nm)	VF@IF=20mA	IR @VR=5V
GREEN	565	1.8~2.6V	10 μA max
YELLOW	585	1.8~2.6V	10 μA max



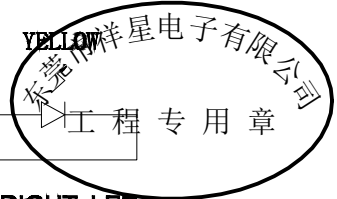
LEFT LED

LED POLARITY		COLOR
PIN 14	PIN 13	
+	-	GREEN



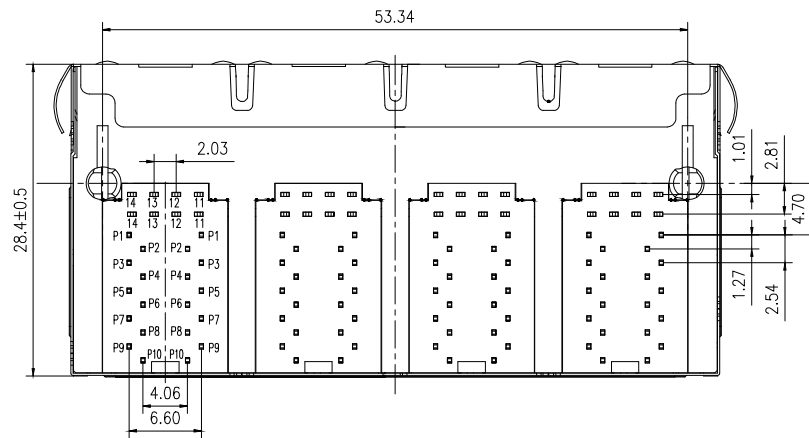
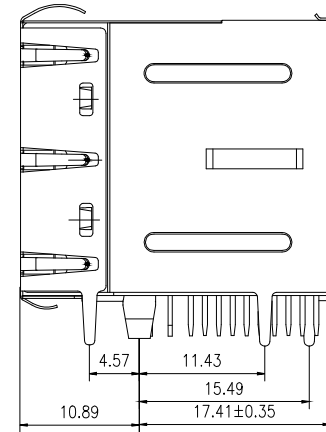
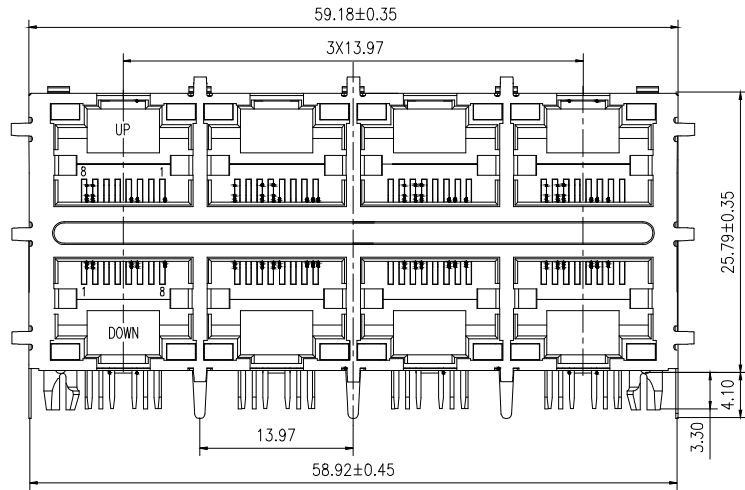
RIGHT LED

LED POLARITY		COLOR
PIN 12	PIN 11	
+	-	YELLOW



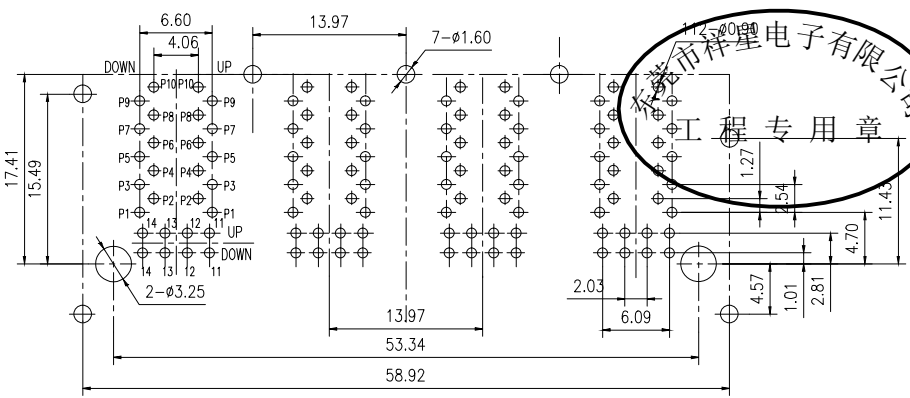
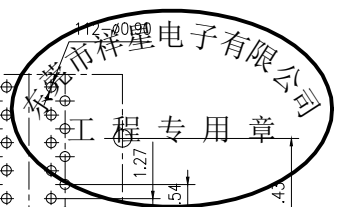
未注公差 TOLERANCE UNLESS OTHERWISE SPECIFIED				E-NETTR 东莞市祥星电子有限公司 DONGGUANG XIANGXING ELECTRONICS CO., LTD			
				Miss yang:13694998066 Mr Li:15013501940 TEL:0769-86384669 FAX:0769-81813600 Http://www.e-nettr.com xxing.guang@163.com			
比例 SCALE		角法 PROJ.	⊕	设计 DESIGN		品号 ITEM NO.	300503
张数 SHEET	1/2	纸张 SIZE	A4	校对 CHECK		品名 TITLE	GR01M8HXS003
单位 UNIT	mm	版本 REV.	A0	核准 APPROVAL		规格 DESC.	

NO.	ECN NO.	DESCRIPTION	REV.	DRAW	DATE
1		新版发行	A0	廖振纲	20200728
2					



NOTES:

1. Designed to support application, such as SOHO (ADSL modems), LAN-on-Motherboard (LOM), hub and Switches.
2. Meets IEEE 802.3at specification
3. PoE rating: 30w, 720mA, 57V (For PoE Products only).
4. Connector Materials:
 Housing: Thermoplastic UL94V-0
 Contact/Shield: Copper alloy
 Shield plating: Nickel
 Contact plating: Gold 6 micro-inches min. In contact area.
5. Wave solder tip temperature: 265°C Max, 5 Sec.
6. UL Certification: File Number E484635.



SUGGESTED PCB LAYOUT (TOP VIEW)

未注公差 TOLERANCE UNLESS OTHERWISE SPECIFIED		E-NETTR 东莞市祥星电子有限公司 DONGGUANG XIANGXING ELECTRONICS CO., LTD			
		Miss yang:13694998066 Mr Li:15013501940 TEL:0769-86384669 FAX:0769-81813600 Http://www.e-nettr.com xxing.guang@163.com			
比例 SCALE		角法 PROJ.		设计 DESIGN	品号 ITEM NO.
张数 SHEET	2/2	纸张 SIZE	A4	校对 CHECK	品名 TITLE
单位 UNIT	mm	版本 REV.	A0	核准 APPROVAL	规格 DESC.
					300503
					GR01M8HXS003