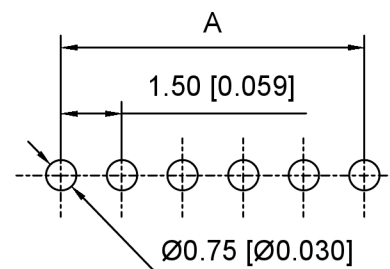
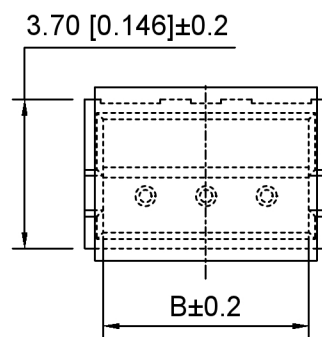
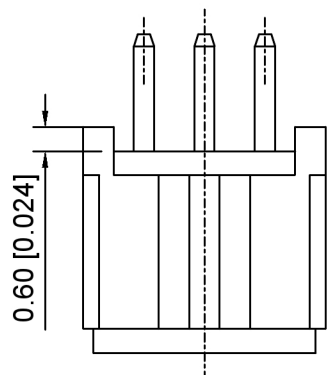


Specifications:

规格:  
 Voltage rating: 125V AC/DC  
 额定电压: 125V AC/DC  
 Current rating: 1A AC/DC  
 额定电流: 1A AC/DC  
 Withstanding voltage: 500V AC/minute  
 耐受电压: 500V AC/分钟  
 Temperature range: -25°C~+105°C  
 温度范围: -25°C~+105°C  
 Insulation resistance: ≥500MΩ  
 绝缘电阻: ≥500MΩ  
 Contact resistance: ≤20mΩ  
 接触电阻: ≤20mΩ

X1502 W V - XX R - LP SN  
 ① ② ③ ④ ⑤ ⑥ ⑦

1. Series No
2. Category: W-Wafer
3. Welding Board Angle: V-Stright 180°
4. Row No. Pin No: XX-02~16Pin
5. Special No: R-DIP 2.3mm
6. Material: LP-LCP UL94V-0, Natural  
CAP: LCP UL94V-0, Natural
7. Plating: SN- Tin Plated



Recommended PCB Layout (Top view)  
 Tolerance: ±0.05mm

Poles	Dimensions (mm)			Poles	Dimensions (mm)		
	A	B	C		A	B	C
02	1.50	3.60	4.50	10	13.50	15.60	16.50
03	3.00	5.10	6.00	11	15.00	17.10	18.00
04	4.50	6.60	7.50	12	16.50	18.60	19.50
05	6.00	8.10	9.00	13	18.00	20.10	21.00
06	7.50	9.60	10.50	14	19.50	21.60	22.50
07	9.00	11.10	12.00	15	21.00	23.10	24.00
08	10.50	12.60	13.50	16	22.50	24.60	25.50
09	12.00	14.10	15.00				

X1502WV-XXR-LPSN	LCP	Brass	X1502H
PART NO	Material	Material(Pin)	Suitable XKB Housing

广东星坤科技股份有限公司

Δ生	日期
Δ改	日期

文件工程章

MARK	DESCRIPTION	DATE	REVISED	APPROVED	ANGLAR	±5°
					L ≤ 4	±0.2
					4 < L ≤ 16	±0.3
					16 < L ≤ 63	±0.4
					L > 63	±0.5
	REVISIONS				UNSPECIFIED TOLERANCES	



XKB INDUSTRIAL PRECISION CO., LIMITED

DSND	SCALE: N/A	MODEL TYPE: 1.5mm Crimp Style Connector		
DWN	VIEW:	PART NO.: X1502WV-XXR-LPSN		
CHKD	UNIT: mm/in	DWG NO.: X-X1502WV-XXR-LPSN		
APPD	SIZE: A4	WEIGHT	SHEET	REVISION
			1/1	A0