

REVISION RECORD				
REV	ECN	DESCRIPTION	DRFT	DATE
A		NEW		22.5.30

NOTES1:  
 UL Standard  
 1. Rated voltage/current : 300V / 12A  
 2. Withstanding voltage : AC1600V/1Min.  
 3. Wire range : 28~14AWG

IEC Standard

1. Pollution degree	2	2	3
Overvoltage category	II	III	III
Rate impulse voltage(KV)	2.5KV	2.5KV	2.5KV
Rate voltage(V)	320V	200V	200V
Rate current(A)	17.5A		

2. Wire range : 0.2~1.5mm<sup>2</sup>

NOTES2:  
 1. Dimension shall be interpreted per ASME Y14.5-2009  
 2. Pitch : 3.50mm, Poles : N=02~24P  
 3. Stripping length : 8~9mm  
 4. Operating temperature: -40°C~+130°C  
 5. Undimensioned tolerances:

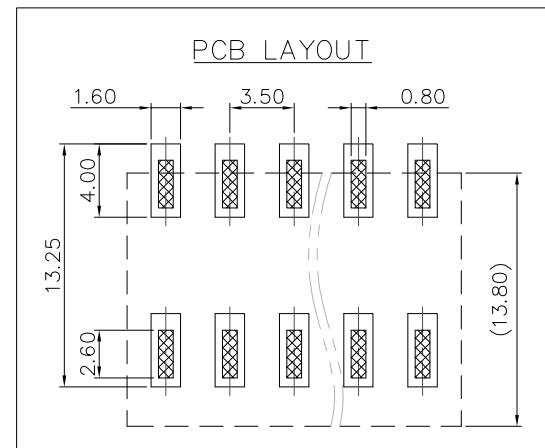
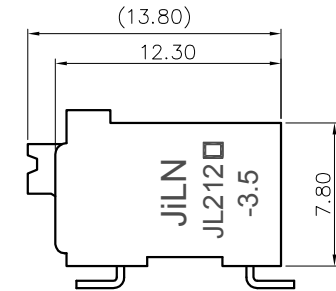
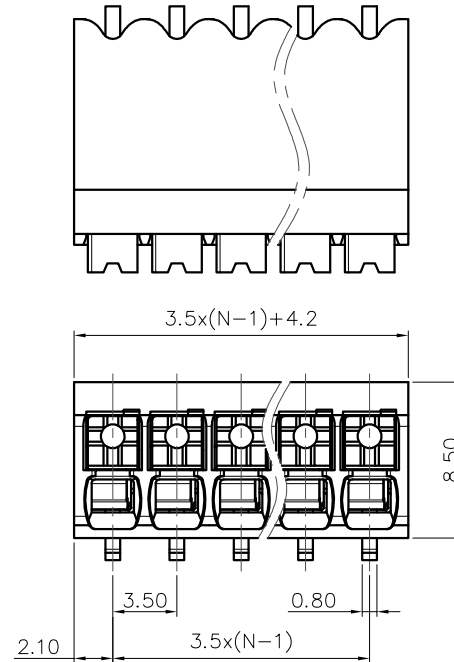
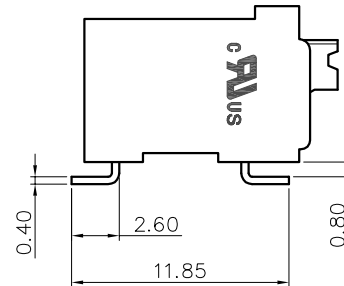
Pitch range in mm		Nominal dimension range in mm					0.1/10	
TO	Over	Over	Over	Over	Over			
6	10	10	30	60	100	150		
±0.15	±0.20	±0.30	±0.30	±0.50	±0.70	±1.00	±1.30	±2'

6. RoHS Compliance

## Ordering Information

**JL212R-SMT- 350 XX B P 1**

Pitch 350=3.50PH  
 No. of pins 2P~24P  
 Housing Color  
 B=Black  
 G=Green  
 U=Blue  
 R=Red  
 W=White  
 Y=Yellow  
 □=Orange  
 E=Grey  
 Packing  
 0=Pe bag  
 T=Tube  
 A=Tray  
 P=Tube+Cap  
 R=Reel+Cap  
 M=Reel+Mylar



DRAW	SHUANGPING ZHENG	SCALE	FIT	东莞市锦凌电子有限公司 DONGGUAN JINLING ELECTRONIC CO.,LTD	
CHECK	LICHAD LIU	UNIT	mm		
APPROVE	YONGLIANG GAO	SIZE	A4	PART NO.	JL212R-SMT-350XXBP1
		SHEET	1/1	TITLE:	JL212R-SMT-THR-3.5-XXP 弹簧式/卧贴/ 黑色/管装
		PROJ.			