

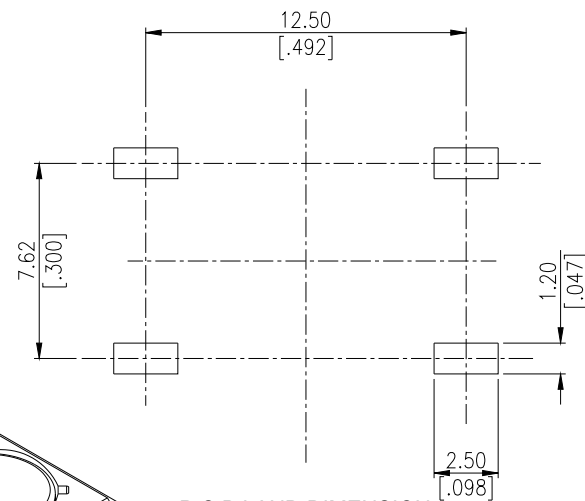
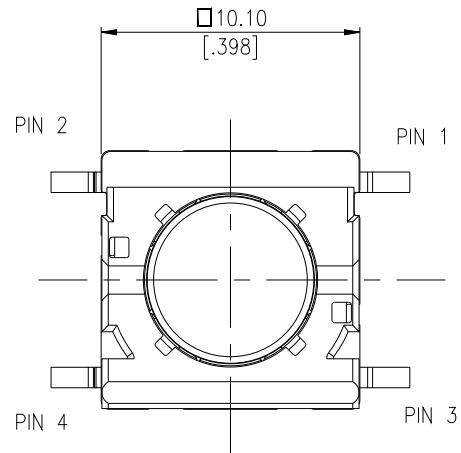
GT-TC133X-HXXX-LX

G-SWITCH

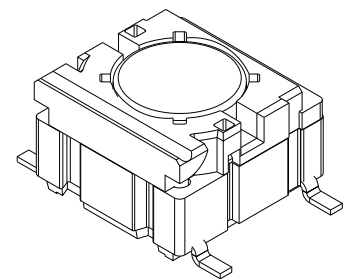
Operating Force
B=350gf

Switch Height (mm)
H064=6.4mm

Switch lifetime (Force)
L1=100,000 Cycles

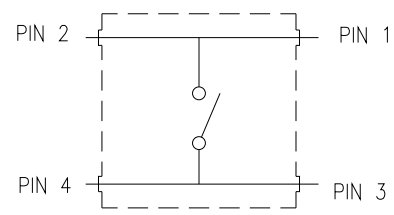


P.C.B LAND DIMENSION



G-Switch Specification:

- Operating temperature range -40 to +160
- Rating 50mA.12V DC
- Insulation resistance: 100MΩ min.100V DC
- Dielectric strength 250V AC for 1 min
- Contact resistance: 100m Ω max.
- Travel:1.0±0.2mm
- WATER RESISTANCE IPX7



CIRCUIT



	G-Switch Electronic (HongKong) CO.,Ltd.		
	DESIGN FengFengChen	DATE 2019.05.29	Molde code: GT-TC133X-HXXX-LX
	CHECKED	DATE	
	APPROVED	DATE	REV.: X1
Unless otherwise specified, Tolerance: X. ±0.30 X.x ±0.20 X.xx ±0.15 X.xxx ±0.10 Angles ±3°	http://www.dg-switch.com TEL:0769-82388879	SCALE: 4:1 SHEET: 1/1	UNIT: mm