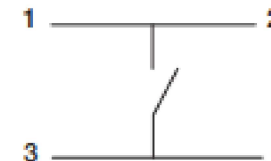
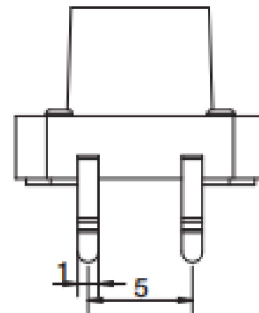
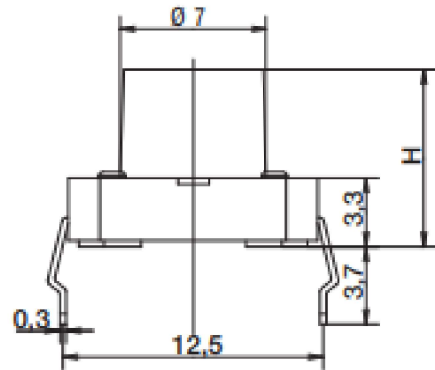


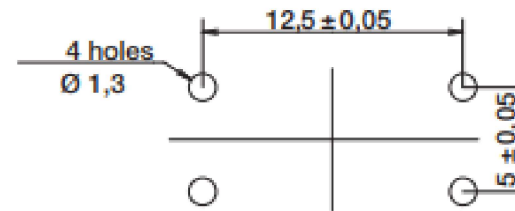
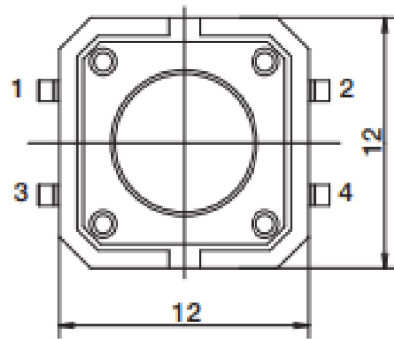
RoHS

CAD GENERATED DRAWING. DON'T CHANGE BY HAND.

REV.	ECN. NO.	APPD.



SCHEMATIC



RECOMMENDED PCB LAYOUT

Specification

Operating Life	200,000 cycles
Operating Force	F
Maximum Voltage	12 VDC
Max Current	50 mA
Dielectric Strength	250 V AC(1mm)
Contact Resistance	<100 mΩ
Insulation Resistance	>100M Ω
Bounce Time	<5 ms
Storage Temperature	-30° C to 85° C

H(height)

NO.	Height
43	4.3mm
43P	4.3mm with peps
50	5.0mm
50P	5.0mm with peps
73	7.3mm
73P	7.3mm with peps
85	8.5mm
85P	8.5mm with peps
12	12mm
12P	12mm with peps

F(force)

NO.	Force
M	180gf±50
K	250gf±50

X. ±0.50	X.° ±2°	UNITS mm
.X ±0.30	.X° ±1°	
.XX ±0.10	.XX° ±0.5°	MAT'L
.XXX ±0.05		FINISH
THESE DRAWINGS AND SPECIFICATIONS ARE THE PROPERTY OF YIYUAN TECHNOLOGY CO.,LTD AND SHALL NOT BE REPRODUCED, COPIED OR USED IN ANY MANNER WITHOUT THE PRIOR WRITTEN CONSENT OF YIYUAN TECHNOLOGY CO.,LTD		Q'TY

yiYUAN 深圳市怡远科技有限公司
SHENZHEN YIYUAN TECHNOLOGY CO., LTD

PART NO. YTS 125S X X	TITLE: TACTILE SWITCH THT						
APPD: ROGER	DWG NO. : YTS 125S X X						
CHKD: ROC							
DR: BILLY WANG 2020/08/21	<table border="1"> <tr> <td>SCALE</td> <td>SHEET</td> <td>REV.</td> </tr> <tr> <td>1/1</td> <td>1/1</td> <td>A1</td> </tr> </table>	SCALE	SHEET	REV.	1/1	1/1	A1
SCALE	SHEET	REV.					
1/1	1/1	A1					