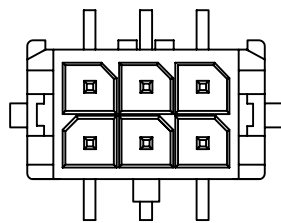
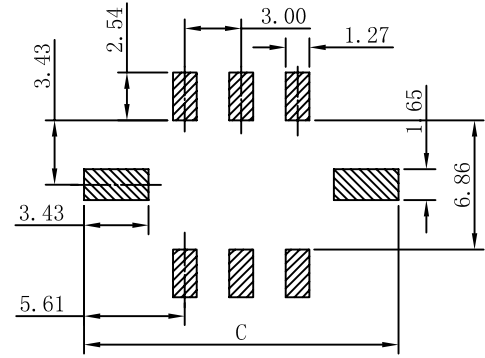
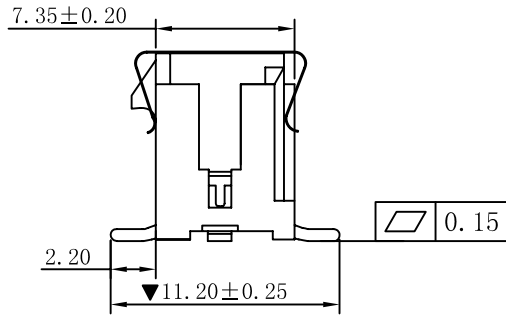
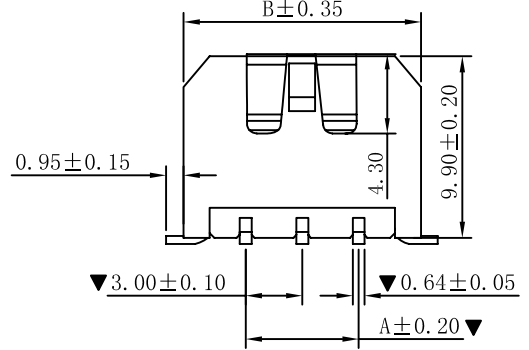


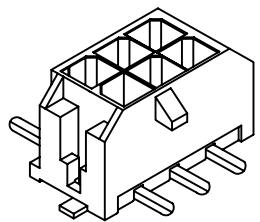
WITH CAP VIEW



WITHOUT CAP VIEW



P. C. B. LAYOUT



SPECIFICATIONS

- 1.Voltage rating: 250V AC, DC
- 2.Current rating: 5A, AC, DC
- 3.Withstanding Voltage: 1500V AC/minute
- 4.Insulation resistance:1000M min
- 5.Temperature range: -25 ° C-+85 ° C
- 6.Contact resistance: 10m max

WAFER

Housing Material: LCP UL 94V0
 Pin Material: Phosphor Bronze or Brass
 Contact Area Plating: Plated Tin or Plated Gold
 Mates with :P3025-2xXX series Housing
 Poles:02-24P
 Part No.: M3025VS-2xXX-BK

Pin位数

PART NO.	Dimensions (mm)		
	A	B	C
2x01	--	6.65	11.20
2x02	3.00	9.65	14.20
2x03	6.00	12.65	17.20
2x04	9.00	15.65	20.20
2x05	12.00	18.65	23.20
2x06	15.00	21.65	26.20
2x07	18.00	24.65	29.20
2x08	21.00	27.65	32.20
2x09	24.00	30.65	35.20
2x10	27.00	33.65	38.20
2x11	30.00	36.65	41.20
2x12	33.00	39.65	44.20

TOLERANCE UNLESS OTHERWISE

X.	±0.30	X°	±5°
.X	±0.20	.X°	±2°
.XX	±0.08	.XX°	±1°
.XXX	±0.03	.XXX°	±0.5°

DRAWN CK tan

CHKD	
APPD	
VIEW	

XFCN 兴飞连接器有限公司
 XFCN CONNECTORS CO.,LTD.

PRODUCT NAME	3.00mm Crimp Style Connectors
PART. NO.	M3025VS-2xXX-BK

SHEET	1/1
DATE	2020.04.12
UNITS	mm
SCALE	1:1
DWG NO.	009

AO
VER

MODIFICATION

DRAW

DATE