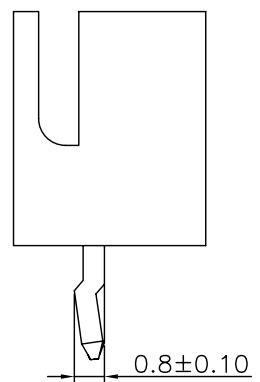
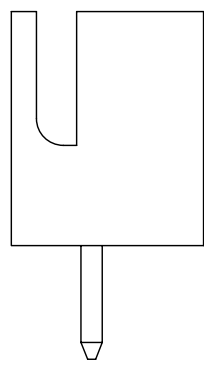
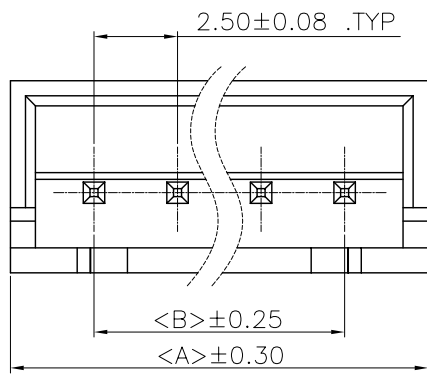


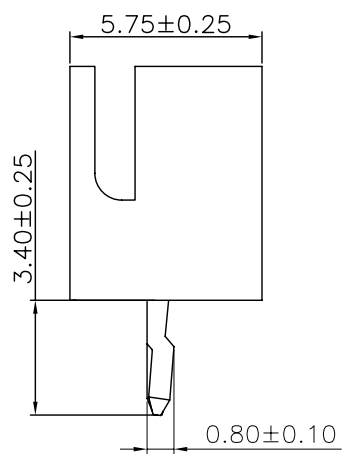
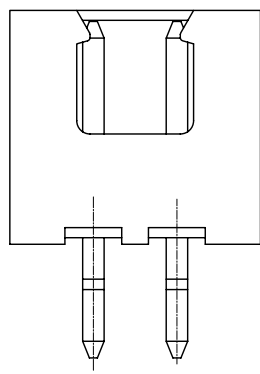
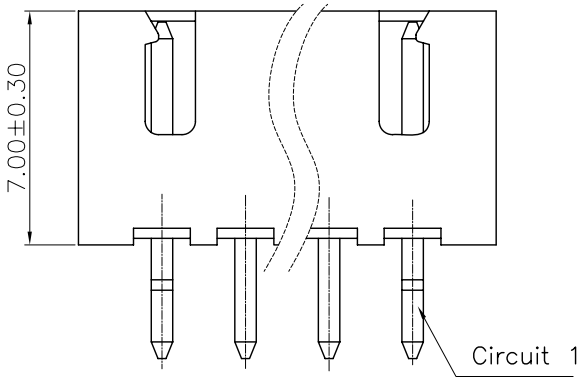
REV.	ECN NO.	DESCRIPTION	DATE	DESIGN

Specifications:
 Current rating:3A AC/DC.
 Voltage rating:250V AC/DC
 Temperature range:-40°C~+105°C.
 Contact resistance:10mΩMax.
 Insulation resistance:1000MΩ Min.
 Withstanding voltage: 800V AC/minute.
 Material:PA66.UL94V-0.



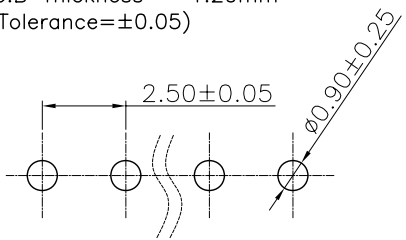
无“K”

打正“K”



打反“K”

Recommended P.C.B Layout(Top Side)
 P.C.B Thickness = 1.20mm
 (Tolerance=±0.05)



PART NO.	Dimensions	
	A	B
A2501WV-02P	7.50	2.50
A2501WV-03P	10.00	5.00
A2501WV-04P	12.50	7.50
A2501WV-05P	15.00	10.00
A2501WV-06P	17.50	12.50
A2501WV-07P	20.00	15.00
A2501WV-08P	22.50	17.50
A2501WV-09P	25.00	20.00
A2501WV-10P	27.50	22.50
A2501WV-11P	30.00	25.00
A2501WV-12P	32.50	27.50
A2501WV-13P	35.00	30.00
A2501WV-14P	37.50	32.50
A2501WV-15P	40.00	35.00
A2501WV-16P	42.50	37.50
A2501WV-17P	52.50	47.50

CNJM Joint More Precision electronics Co.,Ltd.

DRAW NO.		DATE		P/N NO:		DRAW NAME:	
DESIGN:	陈雪峰	17/06/03		A2501WV-NP		2.5mm pitch 180° wafer	
CHECK:	杨焯						
REVIEW:				REV. A/1	SCALE 1:1	UNIT: mm	SHEET: 1 OF 1

DIM	TOL	DIM	TOL
X.	/	X.	/
X.X	±0.25	X.X'	±2'
X.XX	±0.20	X.XX'	±1'
X.XXX	±0.10	X.XXX'	/